

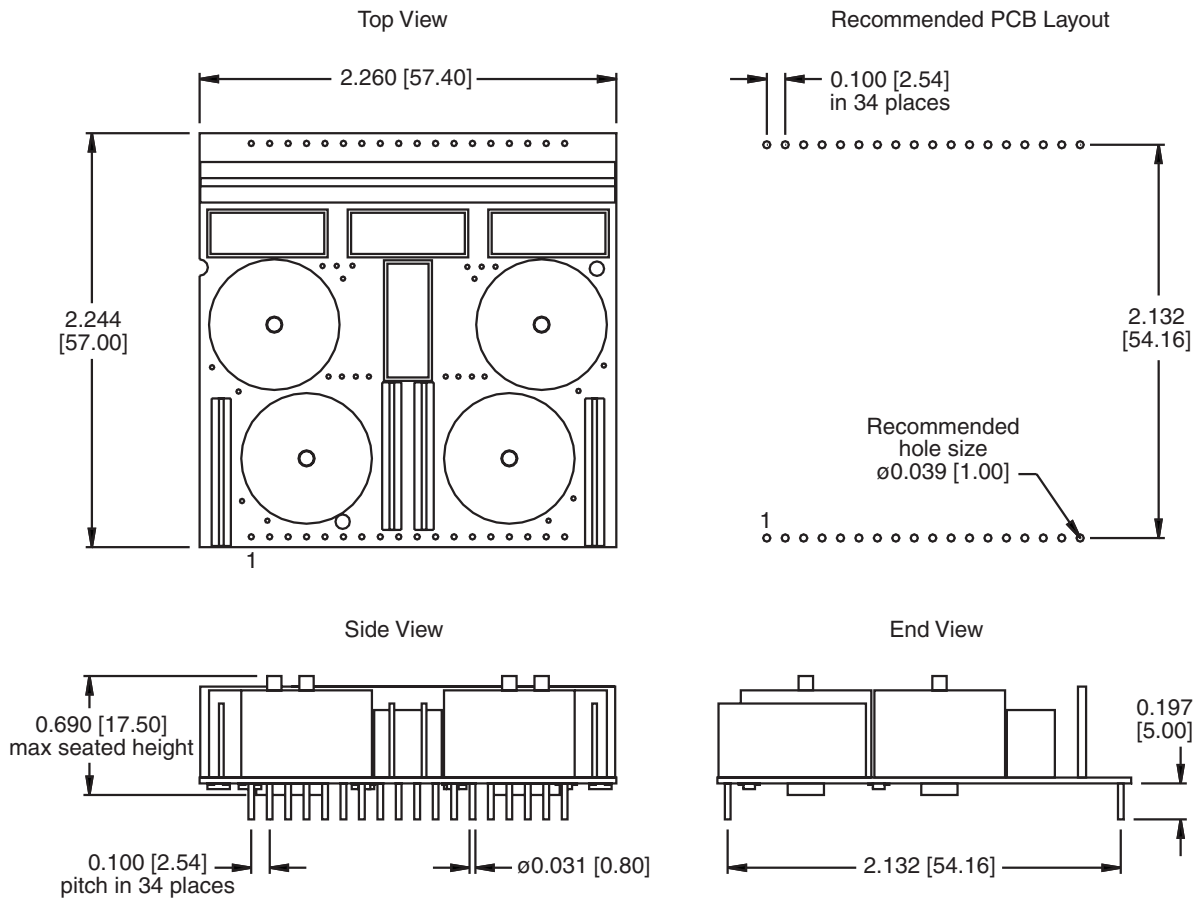
Quad ISDN U Interface Hybrid

0803-6204-02

ELECTRICAL SPECIFICATIONS @ 25°C

Turns Ratio PRI:SEC +/- 5%	Primary Inductance mH min	Leakage Inductance uH max	Primary DCR OHMS max	Secondary DCR OHMS max	Capacitance pF max	Isolation Voltage PRI:SEC Vrms
1.6:1	14.5	90	7	4.5	70	1500

MECHANICAL



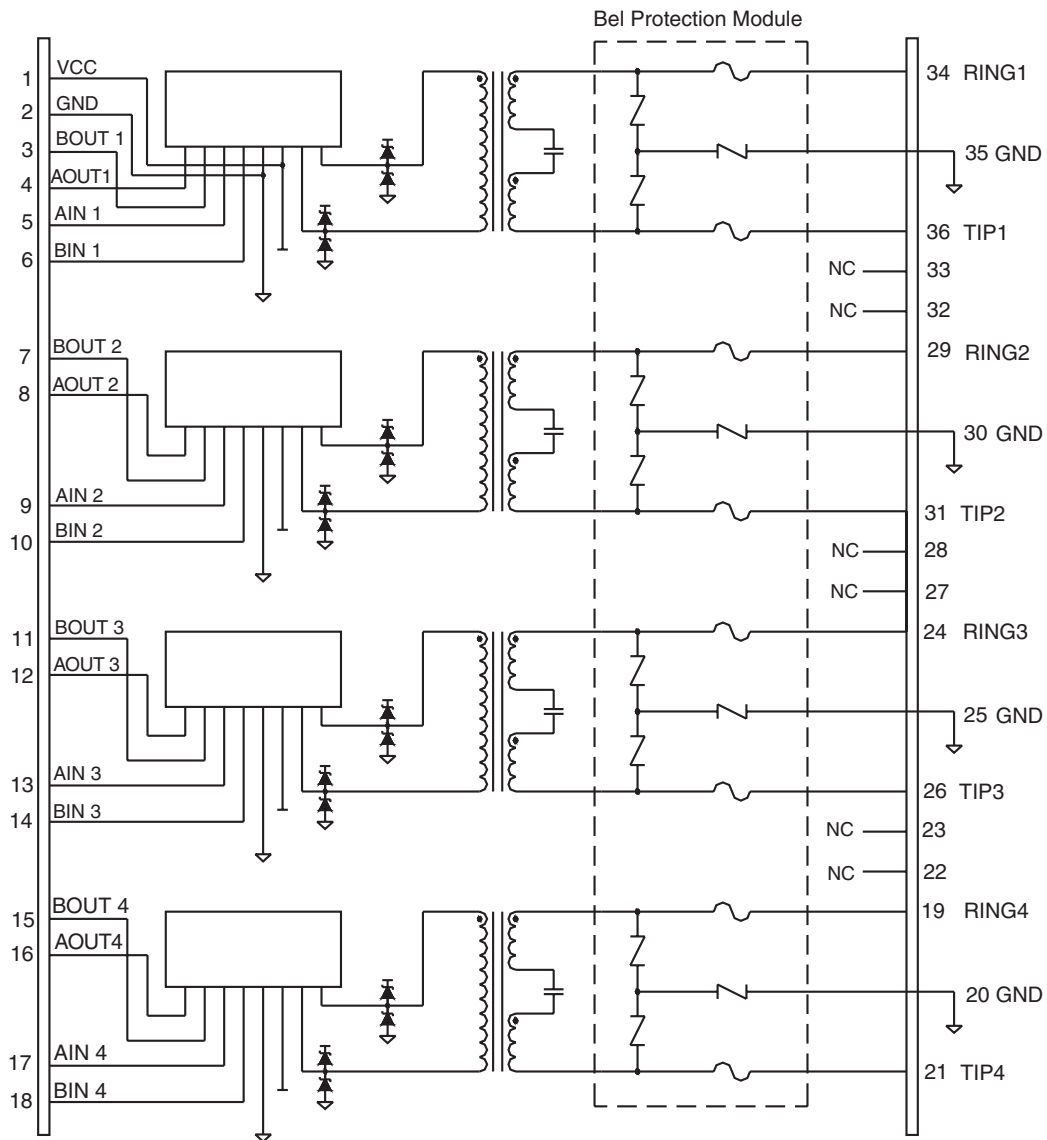
NOTES:
 NOT TO SCALE
 TOLERANCE +/- 0.2MM
 ALL DIMENSIONS IN MM
 PIN DIAMETER 0.75MM MAX.



Quad ISDN U Interface Hybrid

0803-6204-02

SCHEMATIC



©2004 Bel Fuse Inc. Specifications subject to change without notice. 01.23.04

CORPORATE

Bel Fuse Inc.
206 Van Vorst Street
Jersey City, NJ 07302
Tel 201-432-0463
Fax 201-432-9542
www.belfuse.com

FAR EAST

Bel Fuse Ltd.
8F / 8 Luk Hop Street
San Po Kong
Kowloon, Hong Kong
Tel 852-2328-5515
Fax 852-2352-3706
www.belfuse.com

EUROPE

Bel Stewart Connector
45/46 Riverside
Medway City Estate
Rochester, Kent ME2 4DP U.K.
Tel 44-1634-722890
Fax 44-1634-716677
www.belfuse.com