

2012 Size

Chip Multilayer Coupler

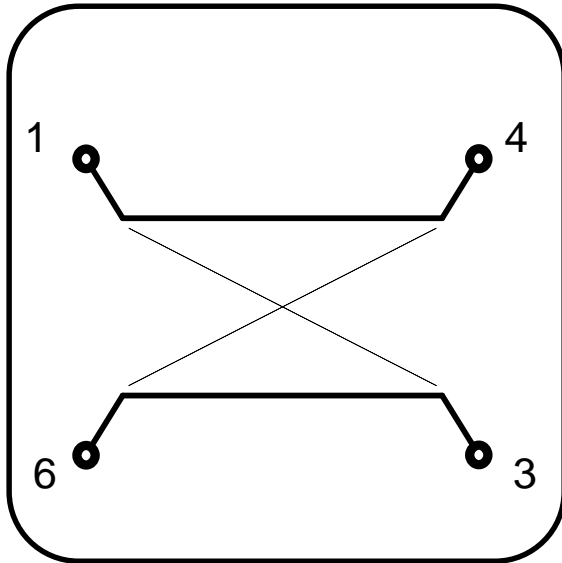
FSLC-S170E

All the technical data and information contained herein are subject to change without notice.

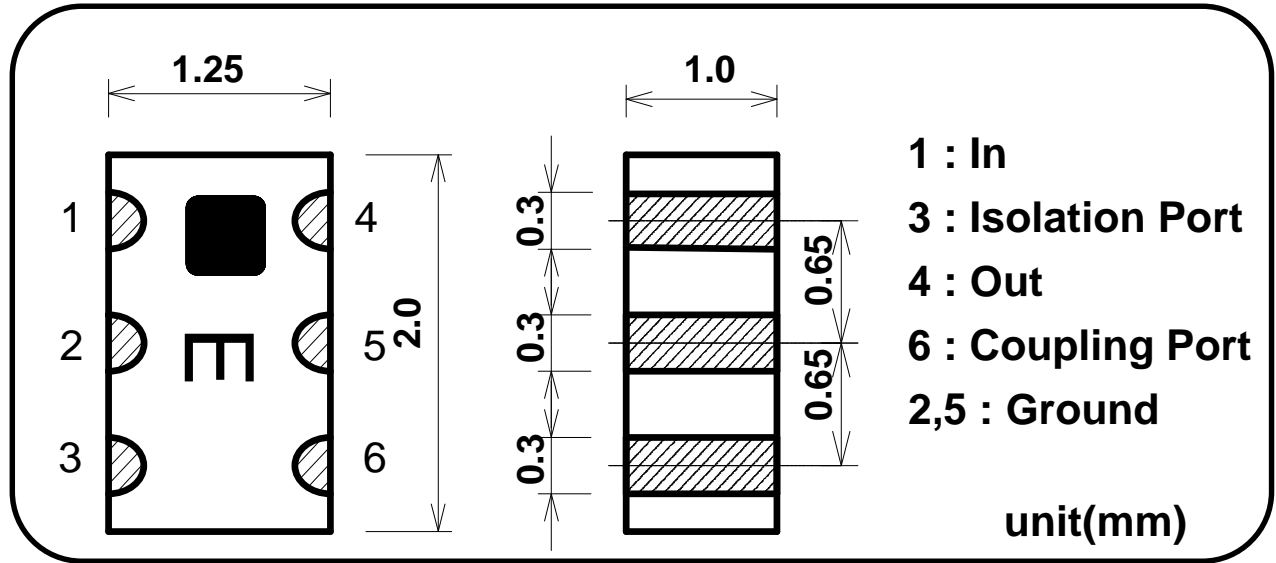


LC-FSLC-S170E-0408A

Equivalent Circuits



Shape & Size



Specifications

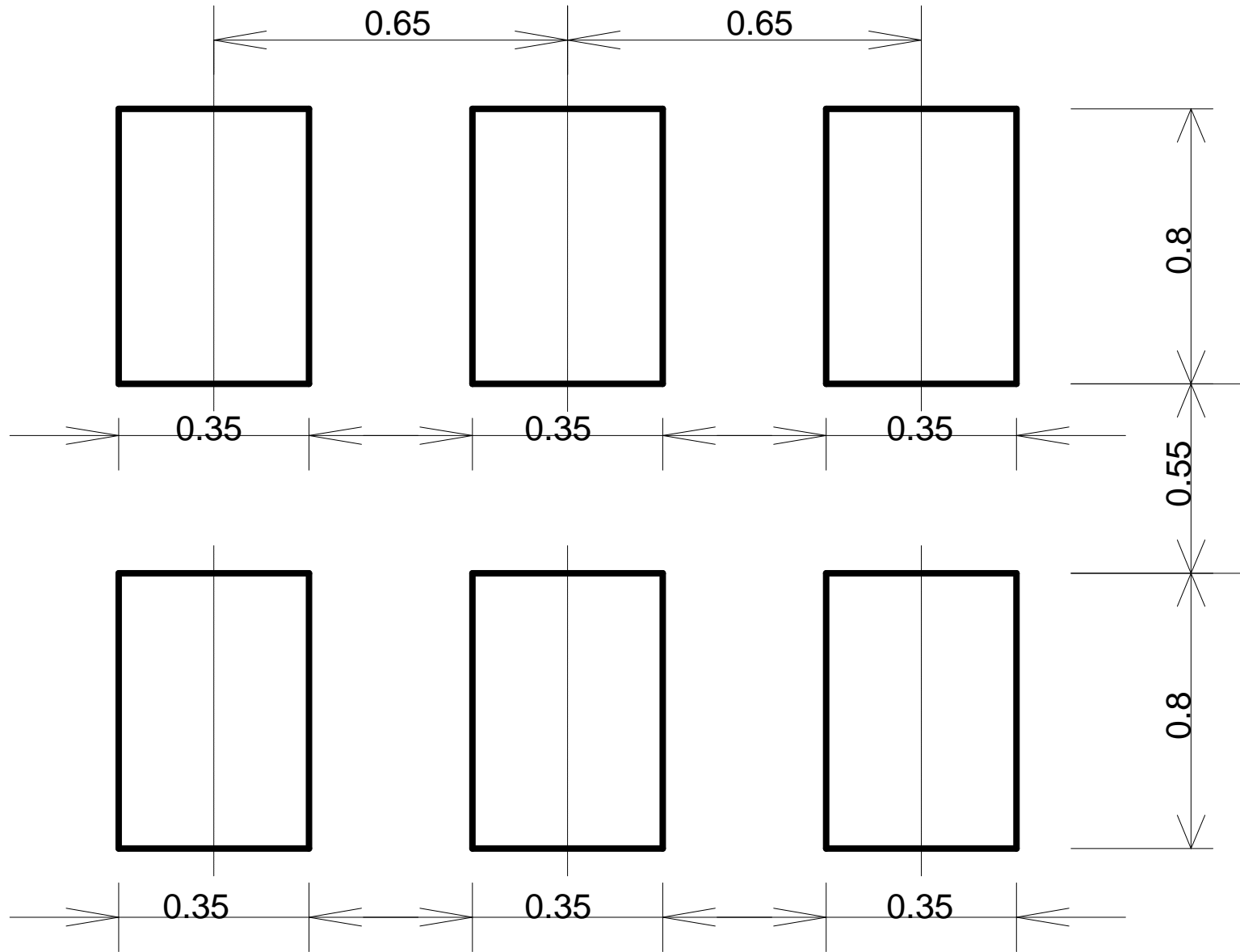
Part Name: FSLC-S170E

| Frequency Range | Coupling | Insertion Loss | Isolation | Return Loss | Handling Power | Temperature Range |
|----------------------------------|--------------------------------------|--------------------------------------|-----------|-------------|-----------------|---------------------|
| f1=935-960MHz f2=1710-1785MHz | 26 +/- 2dB at f1 21 +/- 1dB at f2 | 0.3dB Max. at f1 0.5dB Max. at f2 | 30dB Typ. | 17dB Min. | 1W Max. (CW) | -35 to +85 deg.C |

All the technical data and information contained herein are subject to change without notice.

LC-FSLC-S170E-0408A

FOOT PATTERN



All the technical data and information contained herein are subject to change without notice.

LC-FSLC-S170E-0408A