

**FEATURES :**

- 7PIN SIP Package
- High Efficiency up to 85%
- Unregulated Output Types
- Internal SMD Construction
- No External Component Required
- Operating Temperature:-40°C TO +85°C
- Industry Standard Pinout

YUAN DEAN SCIENTIFIC



DC-DC Converter

17D SERIES

1Watt

1KV Isolated

Twin Output

SIP7

Specifications typical at TA=25°C, nominal input voltage and rated output current unless otherwise specified

Part Number	Output2		Efficiency	Recognized By UL 60950-1
	Voltage (Vdc)	Current (mA)	%Typ	
17D-XXDXX03NNL	3.3	150	70	17D-05D0505NNL 17D-05D0512NNL 17D-12D0512NNL 17D-12D1212NNL 17D-24D0505NNL 17D-24D2424NNL
17D-XXDXX05NNL	5	100	70	
17D-XXDXX09NNL	9	56	70	
17D-XXDXX12NNL	12	42	70	
17D-XXDXX15NNL	15	34	70	
17D-XXDXX24N2NL	24	21	70	

**Note:**

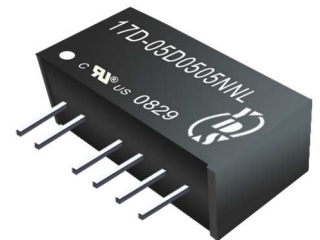
- 1."XX" Is Voltage:03 = 3.3Vdc,05=5Vdc,09=9Vdc 12=12Vdc,15=15Vdc,24=24Vdc.
2. 3.3V for output only, not for input.
3. The input voltage increases, there will be an increase in efficiency.
4. Over 24Vdc input voltage or Output voltage, using the 2nd package.

**Input Specifications**

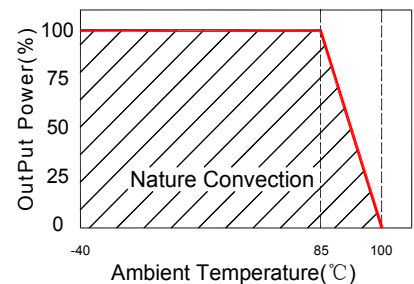
Parameters	Conditions	Min	Typ	Max	Units
Voltage Tolerance	Vo,Io Nom			±5	%
Filter	Capacitor				

**Output Specifications**

Parameters	Conditions	Min	Typ	Max	Units
Voltage Tolerance	100% full load			±5	%
Short Circuit Protection	Short Term			1	Sec
Line Regulation	For 1.0% OF Vin		1.2		%
Load Regulation	3.3V,5V (10% To 100% F.L)			15	%
Load Regulation	9V,12V,15V (10% To 100% F.L)			10	%
Ripple & Noise	BW=DC To 20MHz			100	mVp-p
Transient response setting time	50% load step change		350		us



**Temperature Derating Graph**



www.yds.com.tw



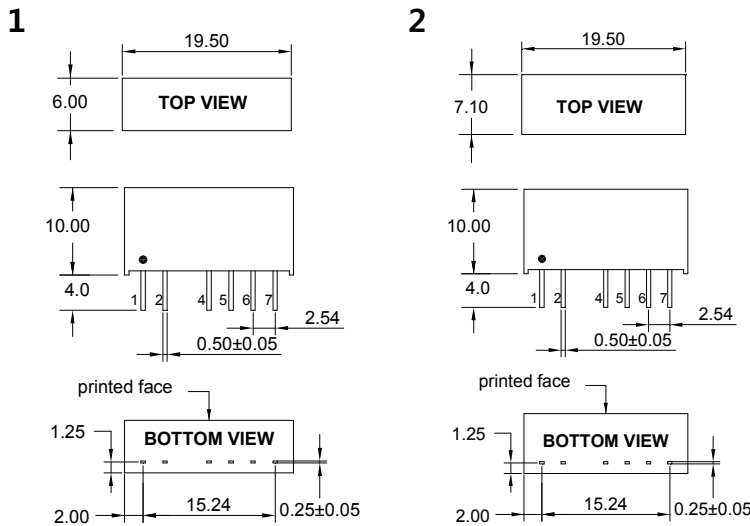
TEL : 886-6-3842899 FAX : 886-6-3843288  
E-MAIL : ydsweb@yds.com.tw

Rev:1 2018/10/04

General Specifications

Parameters	Conditions	Min	Typ	Max	Units
Isolation Resistance	500Vdc	1000			MΩ
Switching Frequency	Full load, nominal input		100		KHz
Operating Temperature		-40		+85	°C
Humidity	Non Condensing			95	%
Cooling	Free air Convection				
Case material	DAP				
MTBF	MIL-HDBK-217F @25°C	3500000			Hours
Weight			2.1 or 2.7		g
Dimensions			19.5x6.0x10.0		mm
Dimensions			19.5x7.1x10.0		mm

Markings and dimensions

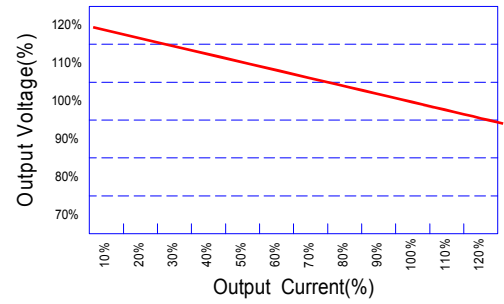


Unit : mm Unless otherwise specified, all tolerances are ±0.25

PIN Connection

PIN	1	2	4	5	6	7
Dual	+Vin	-Vin	+Vout1	-Vout1	+Vout2	-Vout2

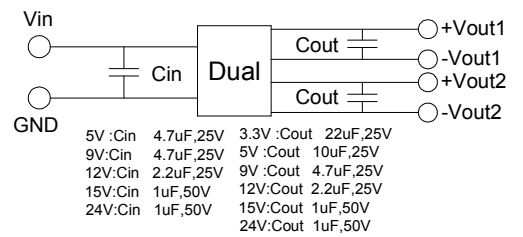
Tolerance Envelope Graph



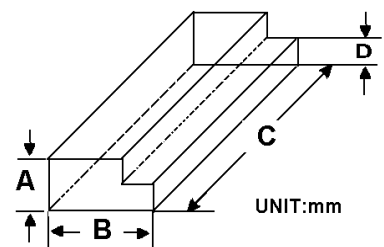
Part Number

17D - 05 D 0503 N NL  
 A B C D E F  
 A:Series  
 B:Input Voltage  
 C:Dual(D)  
 D:Output Voltage  
 E:Unregulated(N)  
 F:RoHS Version

Recommended Test Circuit



Packaging



Size(mm)			
A	B	C	D
9.50	16.50	522	5.00

