



Series 970 PowerTrip™ Connectors and Accessories Cable Connectors 970-001 Plug with Accessory Thread

PLUG CONNECTORS



Series 970 PowerTrip™ plug connectors feature high current LouverBand contacts and rugged water resistant construction for the most demanding environments. Coupling threads are triple-start ACME type. EMI protected with ground spring and splined backshell interface. Anti-decoupling ratchet prevents de-mating under vibration. Standard contacts are silver plated high conductivity copper alloy, or choose gold-plated contacts for improved corrosion protection. Fluorosilicone rubber gaskets and grommets provide watertight sealing. Contacts are packaged with connector.

- EMI Protected
- High Current Contacts
- Splined Backshell Interface
- Ratchet Self-Locking

PRODUCT FACTS

2000 VAC Sea Level DWV Rating
-65°C to +200°C Operating Temperature
6 Feet Water Immersion, 48 Hours
65 dB min. Attenuation, up to 10GHz
500 Cycles Mating Durability
MIL-S 901 Grade A High-Impact Shock
43 g Random Vibration

HOW TO ORDER

| SERIES | SHELL MATERIAL AND FINISH | SHELL SIZE - INSERT ARRANGEMENT | | | | | CONTACT TYPE AND PLATING | KEY POSITION | |
|----------------------------------|--|---------------------------------|----------------------|----|----|--|--------------------------|---|-------------------------|
| 970-001 Plug Connector | ME Aluminum, Electroless Nickel Finish | Contact Arr. | Contact Size and Qty | | | | | P1 Pin Contacts, Silver Plating* | -1 Position 1 |
| | | #16 | #12 | #8 | #4 | #1/0 | | | |
| | MT Aluminum, Nickel-PTFE Finish | 18-2 | | | 2 | | | P2 Pin Contacts, Gold Plating | -2 Position 2 |
| | | 18-4 | | 2 | 2 | | | | |
| | | 20-3 | | | 3 | | | | |
| | | 20-4 | | | 4 | | | | |
| | NF Aluminum, Olive Drab Cadmium | 20-5 | | 2 | 3 | | | S1 Socket Contacts, Silver Plating* | -3 Position 3 |
| | | 20-7 | 4 | | 3 | | | | |
| | | 24-2 | | | | 2 | | | |
| | | 24-3 | | | | 3 | | | |
| | ZR Aluminum, Black Zinc-Nickel Finish | 24-5 | | | 5 | | | S2 Socket Contacts, Gold Plating | -4 Position 4 |
| | | 24-6 | | 4 | | 2 | | | |
| | | 24-A6 | | 3 | | 3 | | | |
| | | 28-4 | | | | 4 | | | |
| | Z1 Passivated Stainless Steel | 28-8 | | 1 | 7 | | | A Pin Connector, without Contacts | -5 Position 5 |
| | | 28-9 | 5 | | | 4 | | | |
| | | 28-15 | 15 | | | | | | |
| | | 32-2 | | | | | 2 | | |
| | | 32-3 | | | | | 3 | | |
| | | 32-4 | | | | 2 | 2 | | |
| 32-5 | | | | | 5 | | | | |
| 32-6 | | | 3 | | | 3 | | | |
| 32-20 | 1 | 19 | | | | | | | |
| 36-4 | | | | | 4 | B Socket Connector, without Contacts | -6 Position 6 | | |
| 36-16 | 3 | | 13 | | | | | | |
| 40-5 | | | | | 5 | | | | |
| 40-21 | | | 21 | | | | | | |
| Sample Part Number | | | | | | | | | |
| 970-001 | MT | 18-2 | | | | | P2 | -1 | |

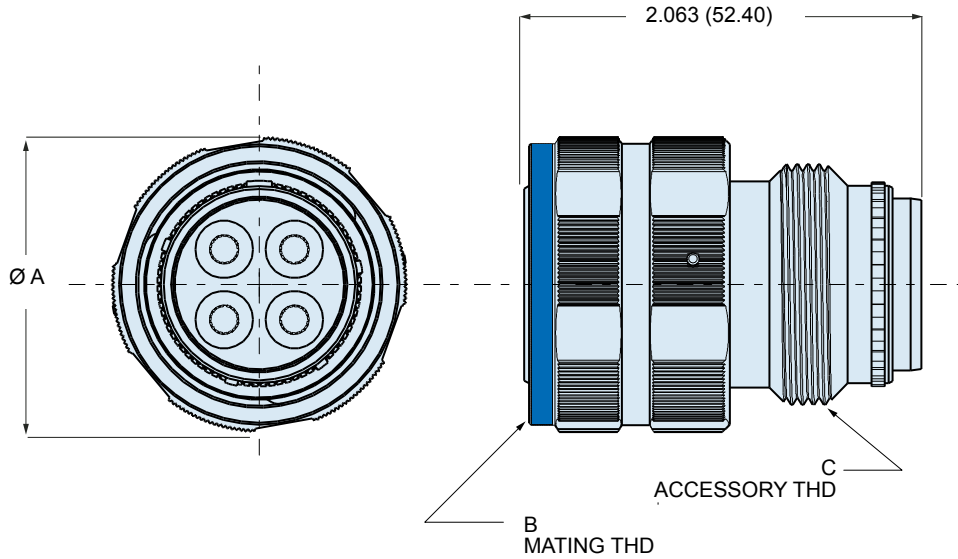
* Size 12 and 16 contacts are gold-plated. Size 8, 4 and 1/0 are silver plated.

Series 970 PowerTrip™ Connectors and Accessories Cable Connectors

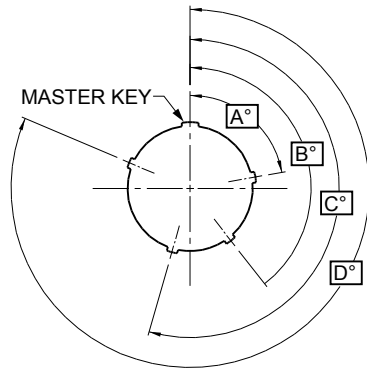
970-001 Plug with Accessory Thread



970-001 PLUG CONNECTOR



| Shell Size | Ø A | | B | C |
|------------|-------|-------|----------------------|-------------------|
| | In. | mm. | Mating Thread | Accessory Thread |
| 18 | 1.485 | 37.72 | 1.125-0.1P-.3L-TS-2B | 1.125-18 UNEF-2A |
| 20 | 1.583 | 40.21 | 1.250-0.1P-.3L-TS-2B | 1.250-18 UNEF-2A |
| 24 | 1.875 | 47.63 | 1.500-0.1P-.3L-TS-2B | 1.4375-18 UNEF-2A |
| 28 | 2.186 | 55.52 | 1.750-0.1P-.3L-TS-2B | 1.8125-16 UN-2A |
| 32 | 2.420 | 61.47 | 2.000-0.1P-.3L-TS-2B | 2.0625-16 UNS-2A |
| 36 | 2.709 | 68.81 | 2.250-0.1P-.3L-TS-2B | 2.250-16 UN-2A |
| 40 | 2.980 | 75.69 | 2.500-0.1P-.3L-TS-2B | 2.500-16 UN-2A |



| KEY POSITIONS | | | | |
|---------------|-----|-----|-----|-----|
| Position | A° | B° | C° | D° |
| 1 | 80 | 142 | 196 | 293 |
| 2 | 135 | 170 | 200 | 310 |
| 3 | 49 | 169 | 200 | 244 |
| 4 | 66 | 140 | 200 | 257 |
| 5 | 62 | 145 | 180 | 280 |
| 6 | 79 | 153 | 197 | 272 |