

PLEASE CHECK WWW.MOLEX.COM FOR LATEST PART INFORMATION

Part Number: [0508378100](#)
Status: **Active**
Overview: [minilock](#)
Description: 2.50mm (.098") Pitch Mini-Lock™ Crimp Terminal, Bag

Documents:

[3D Model](#) [Product Specification PS-51198-003 \(PDF\)](#)
[Drawing \(PDF\)](#) [RoHS Certificate of Compliance \(PDF\)](#)

General

Product Family	Crimp Terminals
Series	50837
Crimp Quality Equipment	Yes
Overview	minilock
Product Name	Mini-Lock™

Physical

Gender	Male
Material - Metal	Phosphor Bronze
Material - Plating Mating	Tin
Material - Plating Termination	Tin
Packaging Type	Bag
Termination Interface: Style	Crimp or Compression
Wire Insulation Diameter	1.15-1.80mm (.045-.071")
Wire Size AWG	22, 24, 26, 28
Wire Size mm²	N/A

Material Info

Reference - Drawing Numbers

Packaging Specification	SPK-50837-001
Product Specification	PS-51198-003
Sales Drawing	SD-50837-002

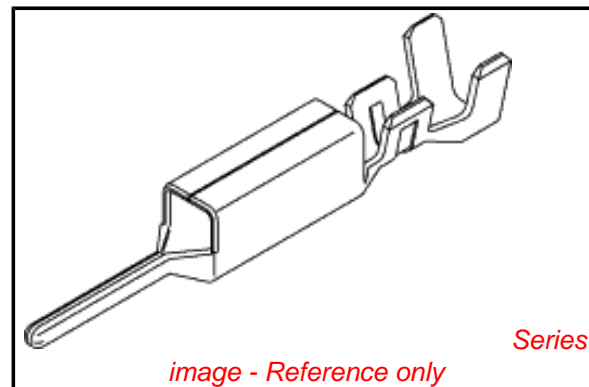


image - Reference only

EU RoHS

**ELV and RoHS
Compliant**
**REACH SVHC
Contains SVHC: No**
**Halogen-Free
Status**

China RoHS



**Need more information on product
environmental compliance?**

Email productcompliance@molex.com
 For a multiple part number RoHS Certificate of Compliance, [click here](#)

Please visit the [Contact Us](#) section for any non-product compliance questions.

Search Parts in this Series

[50837Series](#)

Mates With

[50351](#) , [50752](#) crimp terminal

Use With

[51198](#)

Application Tooling | FAQ

Tooling specifications and manuals are found by selecting the products below. Crimp Height Specifications are then contained in the Application Tooling Specification document.

Global

Description	Product #
Extraction Tool	0011030016

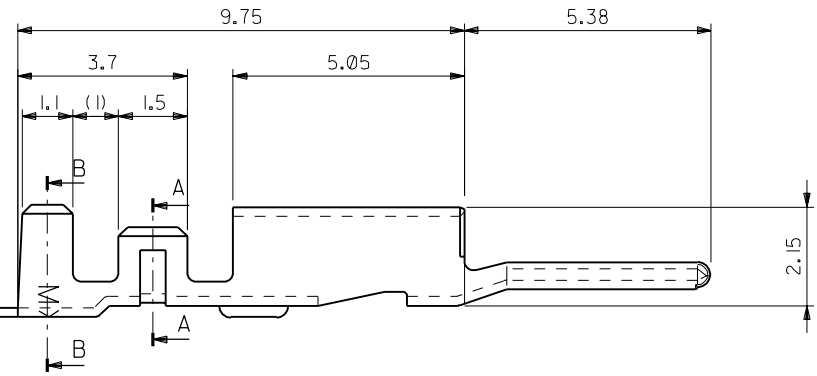
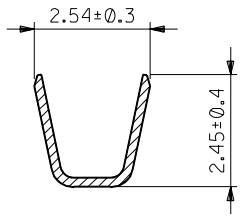
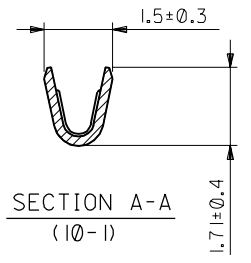
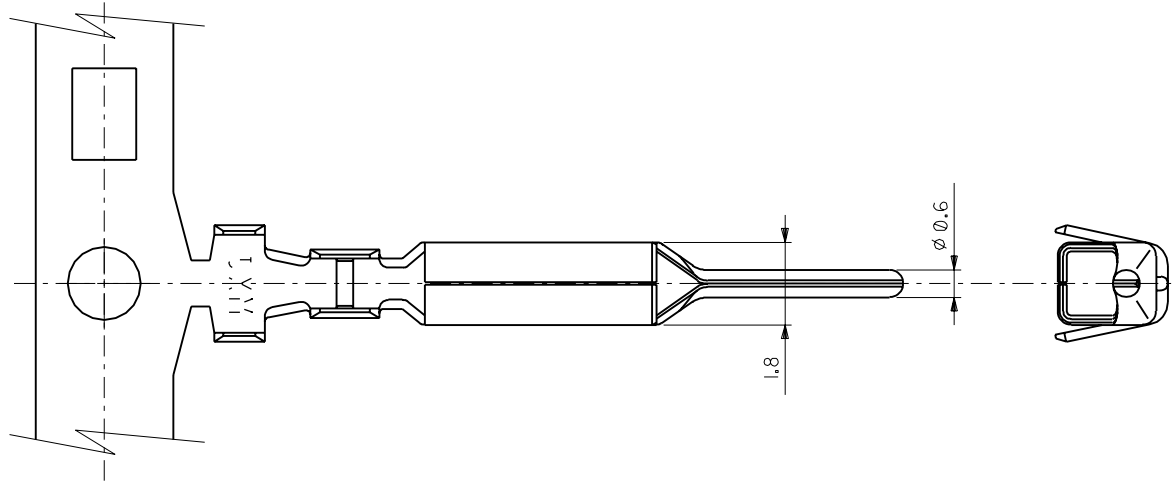
Japan

Description	Product #
Hand Crimp Tool	0573915000

This document was generated on 05/19/2010

PLEASE CHECK WWW.MOLEX.COM FOR LATEST PART INFORMATION

DWG. NO. SD-50837-002



注記
NOTE.

1. 適合ハウジング : 51198-***00
APPLICABLE HOUSING

50837-8100	バラ状 LOOSE
50837-8000	連鎖状 CHAIN
製品番号 MATERIAL NO.	端子形状 FORM

DIMENSIONS:		SHT	REV
<input type="checkbox"/> mm	<input type="checkbox"/> INCH	<input checked="" type="checkbox"/> mm	<input type="checkbox"/> ONLY
		REVISE ON CAD ONLY	

EC NO. DRWN: CHK: APPR:	EC NO. DRWN: CHK: APPR:	EC NO. DRWN: CHK: APPR:	EC NO. DRWN: CHK: APPR:	EC NO. DRWN: CHK: APPR:	新規作成 PROPOSED EC NO. JD90189 DRWN: M. YAGI '98/08/05 CHK: Y. ITO APPR: H. IKESUGI	MATERIAL 材料 りん青銅 スズメッキ (t=0.2) PRE-TINNED PHOSPHOR BRONZE (t=0.2)	GENERAL TOLERANCES: (UNLESS SPECIFIED) 一般公差		SCALE	DESIGN UNITS	THIRD ANGLE PROJECTION	TITLE:
							10 UNDER 未満	+0.2	10-1	<input checked="" type="checkbox"/> mm <input type="checkbox"/> INCH		
WIRE RANGE 適用線径範囲 AWG #22-#28						FINISH 仕上げ	10 OVER 以上	+0.25	30 UNDER 未満	+0.25	APPROVED BY & DATE	THIS DRAWING CONTAINS INFORMATION THAT IS PROPRIETARY TO MOLEX INCORPORATED AND SHOULD NOT BE USED WITHOUT WRITTEN PERMISSION.
INS. RANGE 被覆外径 $\phi 1.15 - \phi 1.8$						REV	30 OVER 以上	+0.3	ANGLE 角度	+3°	CAD FILE NAME 50837002.S01	

DO NOT SCALE DRAWING