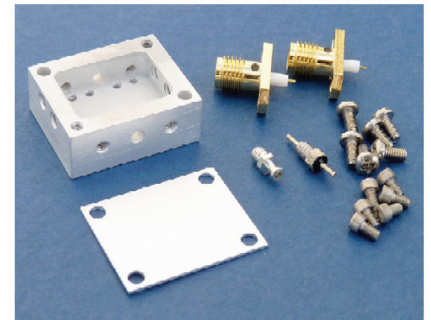
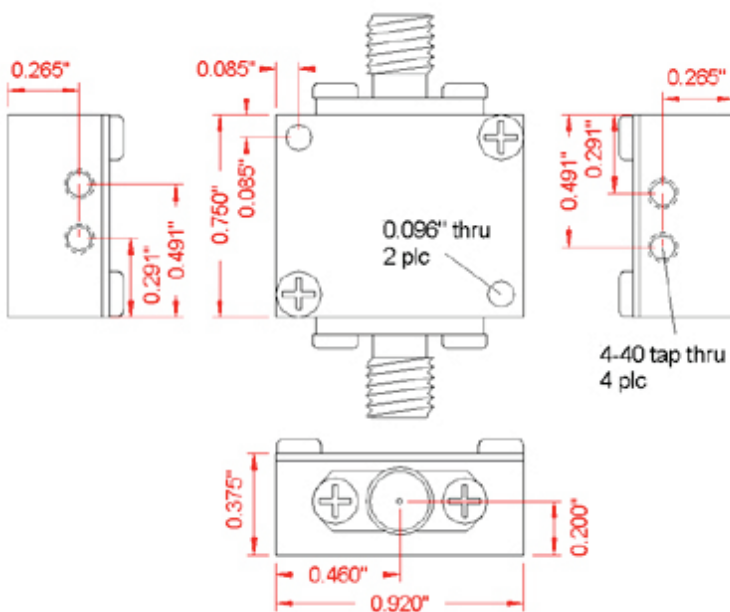


### FEATURES

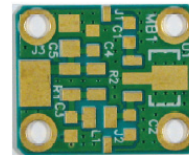
- Rapid prototyping of 2-port circuits
- Compatible with all MB series boards
- SMA female connectors
- Ground terminal and bias feed-through
- Cover and mounting hardware provided



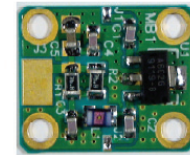
The MicroAmp MH-1 housing will accommodate a single MB series circuit board to create a completely shielded 2-port circuit. Boards are available for microwave amplifiers, filters, log detectors, frequency multipliers, dividers, and operational amplifiers. After assembling the desired MB circuit board, simply drop the board into the housing cavity and screw the board in place using the supplied #1-72 socket head cap screws. Then insert the SMA connectors into the side walls and secure them with the supplied #2-56 mounting screws and solder the center pins to the circuit board pads. The ground turret terminal and bias feed-through are then installed into the housing side wall and the bias connection is soldered in place from the circuit board to the feed-through pin using a small gauge wire. A cover attaches to the top of the housing with #2-56 screws to complete the shielded assembly. The finished housing can be mounted to a baseplate using the corner through holes.



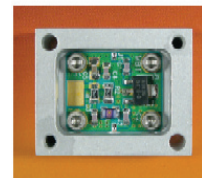
OUTLINE DRAWING



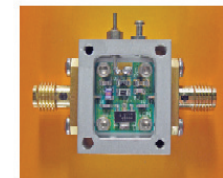
1. Select Circuit Board



2. Assemble Board



3. Install into Housing



4. Add Connectors and Bias

### MH-1 KIT CONTENTS

- 1 ea. Housing
- 1 ea. Cover
- 2 ea. SMA female connectors
- 1 ea. Feed-through bias pin
- 1 ea. Ground turret terminal
- 6 ea. #2-56 x 3/16" pan head screws
- 6 ea. #1-72 x 1/8" socket head cap screws

For additional product information, please visit [www.twinind.com](http://www.twinind.com)

Contact information: 925-866-8946 (phone) 925-866-8937 (fax) Sales@twinind.com