

SRAM

32K X 8 LOW POWER CMOS STATIC RAM

FEATURES

- High speed access time: 50/70/85/100ns
- Low power supply current :
 - Operating :35mA(max)
 - Standby : 10uA
- Power supply : 5V (± 10%)
- Fully static operation – No clock or refreshing required
- All inputs and outputs directly LVTTTL compatible
- Common I/O capability
- Data retention voltage : 1.5V (min)
- Available packages :
 - 28-pin DIP(600mil),SOJ, SOP, TSOP-I (8x13.4mm forward type and reverse type).
- Operating temperature :
 - 0 ~ +70 °C
 - -40 ~ +85 °C

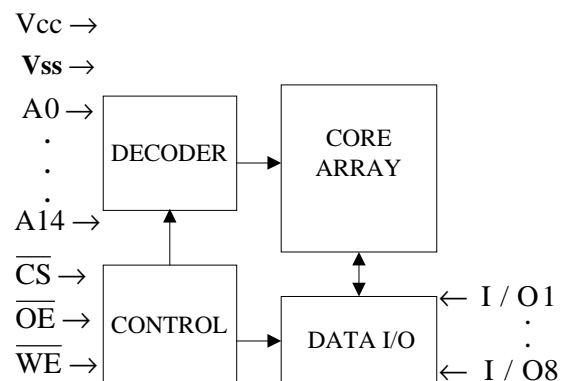
PART NUMBER EXAMPLES

PART NO.	PACKAGE CODE	Operating Temperature
T15M256B-70N	N=DIP	0 ~ +70 °C
T15M256B-70J	J=SOJ	
T15M256B-70D	D=SOP	
T15M256B-85P	P= TSOP-I(Forward)	
T15M256B-85R	R= TSOP-I(Reverse)	
T15M256B-70NI	N=DIP	-40 ~ +85 °C
T15M256B-70JI	J=SOJ	
T15M256B-70DI	D=SOP	
T15M256B-85PI	P= TSOP-I(Forward)	
T15M256B-85RI	R= TSOP-I(Reverse)	

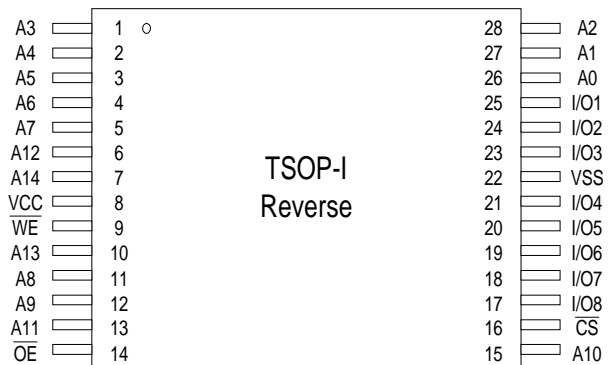
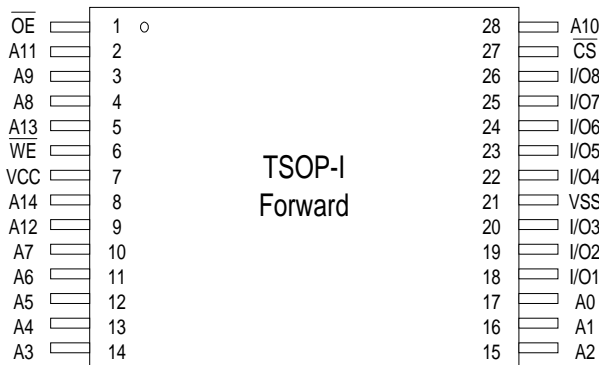
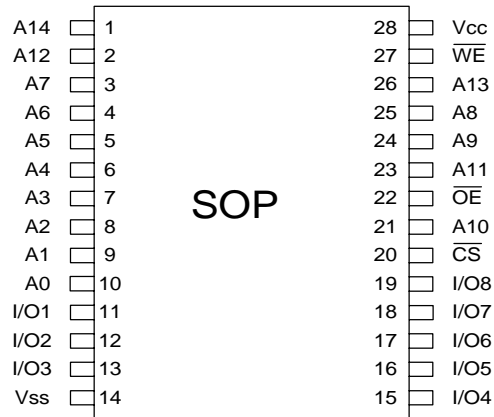
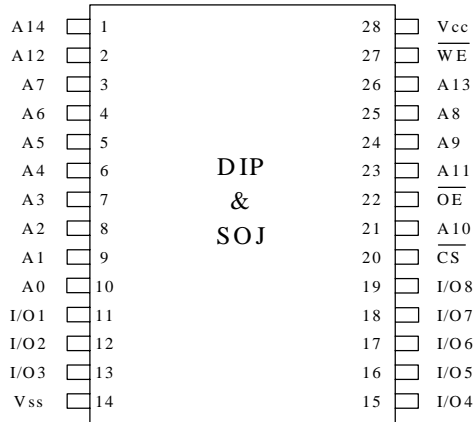
GENERAL DESCRIPTION

The T15M256B is a low power CMOS static RAM. organized as 32,768 x 8 bits that operates on a single 5-volt power supply. Low operating and standby current . Data retention is guaranteed at a power supply voltage as low as 1.5V. This device is packaged in a standard 28-pin DIP(600mil), SOJ, SOP, TSOP-I forward and reverse type.

BLOCK DIAGRAM



PIN CONFIGURATION



PIN DESCRIPTION

SYMBOL	DESCRIPTION
A0 - A14	Address Inputs
I/O1 - I/O8	Data Inputs/Outputs
CS	Chip Select Inputs
WE	Write Enable
OE	Output Enable
Vcc	Power Supply
Vss	Ground

DC CHARACTERISTICS ABSOLUTE MAXIMUM RATINGS

PARAMETER	RATING	UNIT
Supply Voltage to Vss Potential	-0.5 to + 7V	V
Inputs to Vss Potential	-0.5 to Vcc +0.5	V
Power Dissipation	0.7	W
Storage Temperature	-60 to +150	°C

RECOMMENDED OPERATING CONDITIONS

PARAMETER	SYM	MIN	TYP	MAX	UNIT
Supply Voltage	Vcc	4.5	5	5.5	V
Input Voltage, low	V _{IL}	-0.3	-	0.8	V
Input Voltage, high	V _{IH}	2.2	-	Vcc+0.3	V
Ambient Temperature	T _A	0/-40	-	+70/+85	°C

TRUTH TABLE

\overline{CS}	\overline{OE}	\overline{WE}	MODE	I/O1- I/O8	Power
H	X	X	Not Selected	High-Z	Standby
L	H	H	Output Disable	High-Z	Active
L	L	H	Read	Data Out	Active
L	X	L	Write	Data In	Active

OPERATING CHARACTERISTICS

(Vcc = 5V / ± 10%, Vss = 0V, Ta = 0 ~ +70 °C /-40 to 85°C)

PARAMETER	SYM.	TEST CONDITIONS	MIN.	TYP.	MAX.	UNIT	
Input Leakage Current	I _{LI}	Vin=Vss to Vcc	-	-	1	uA	
Output Leakage Current	I _{LO}	V _{I/O} =Vss to Vcc , $\overline{CS} = V_{IH}$ or $\overline{OE} = V_{IH}$ or $\overline{WE} = V_{IL}$	-	-	1	uA	
Output Low Voltage	V _{OL}	I _{OL} = + 2.1mA	-	-	0.4	V	
Output High Voltage	V _{OH}	I _{OH} = - 1.0mA	2.4	-	-	V	
Operating Power Supply Current	I _{cc}	$\overline{CS} = V_{IL}$, I/O=0mA Cycle = MIN. Duty = 100%	-50	-	-	35	mA
			-70	-	-	30	mA
			-85	-	-	25	mA
			-100	-	-	20	mA
Standby Power Supply Current	I _{SB}	$\overline{CS} = V_{IH}$, Cycle=min, Duty=100%	-	-	0.3	mA	
	I _{SBI}	$\overline{CS} \geq V_{cc}-0.2V$	-	-	10	uA	

CAPACITANCE

(V_{CC} = 5V / ± 10%, T_a = 25°C, f = 1 MHz)

PARAMETER	SYMBOL	CONDITION	MAX.	UNIT
Input Capacitance	C _{IN}	V _{IN} = 0V	6	pF
Input/ Output Capacitance	C _{I/O}	V _{OUT} = 0V	8	pF

Note: These parameters are sampled but not 100% tested.

AC TEST CONDITIONS

PARAMETER	CONDITIONS
Input Pulse Levels	0V to 3V
Input Rise and Fall Times	3 ns
Input and Output Timing Reference Level	1.5V
Output Load	See Fig. 1,2

AC TEST LOADS AND WAVEFORM

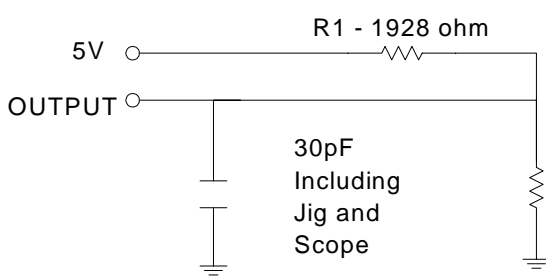
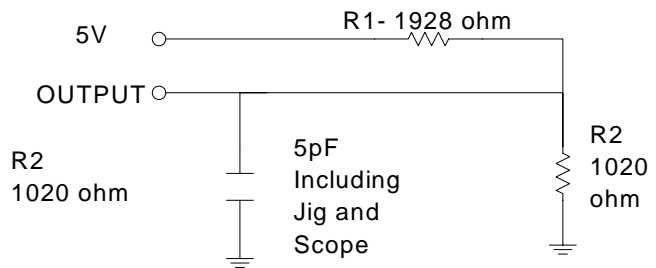


Fig 1



(For T_{CLZ}, T_{OLZ}, T_{CHZ}, T_{OHZ}, T_{WHZ}, T_{OW})

Fig 2

AC CHARACTERISTICS

 ($V_{CC} = 5V / \pm 10\%$, $V_{SS} = 0V$, $T_a = 0 \sim +70\text{ }^\circ\text{C} / -40 \text{ to } 85\text{ }^\circ\text{C}$)

(1) READ CYCLE

PARAMETER	SYM.	-50ns		-70ns		-85ns		-100ns		UNIT
		MIN	MAX	MIN.	MAX.	MIN.	MAX.	MIN.	MAX.	
Read Cycle Time	tRC	50	-	70	-	85	-	100	-	ns
Address Access Time	tAA	-	50	-	70	-	85	-	100	ns
Chip Select Access Time	tACS	-	50	-	70	-	85	-	100	ns
Output Enable to Output Valid	tAOE	-	25	-	35	-	40	-	50	ns
Chip Selection to Output in Low Z	tCLZ*	7	-	10	-	10	-	10	-	ns
Output Enable to Output in Low Z	tOLZ*	5	-	5	-	5	-	5	-	ns
Chip Deselection to Output in High Z	tCHZ*	-	20	-	25	-	30	-	30	ns
Output Disable to Output in High Z	tOHZ*	-	20	-	25	-	30	-	30	ns
Output Hold from Address Change	tOH	10	-	10	-	10	-	10	-	ns

* These parameters is measured with 5pF test load.

(2)WRITE CYCLE

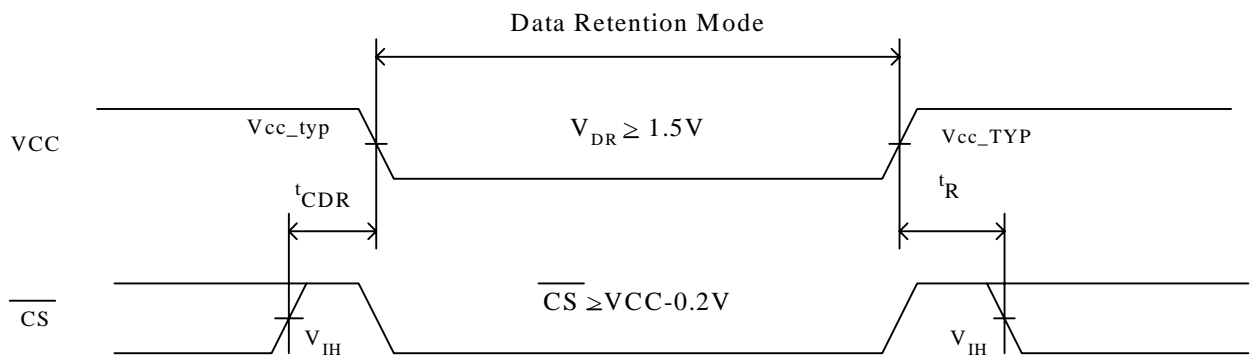
PARAMETER	SYM.	-50ns		-70ns		-85ns		-100ns		UNIT
		MIN	MAX	MIN.	MAX.	MIN.	MAX.	MIN.	MAX.	
Write Cycle Time	tWC	50	-	70	-	85	-	100	-	ns
Chip Selection to End of Write	tCW	40	-	60	-	70	-	80	-	ns
Address Valid to End of Write	tAW	40	-	60	-	70	-	80	-	ns
Address Setup Time	tAS	0	-	0	-	0	-	0	-	ns
Write Pulse Width	tWP	30	-	50	-	60	-	70	-	ns
Write Recovery Time	tWR	0	-	0	-	0	-	0	-	ns
Data Valid to End of Write	tDW	25	-	30	-	35	-	40	-	ns
Data Hold from End of Write	tDH	0	-	0	-	0	-	0	-	ns
Write to Output in High Z	tWHZ*	-	20	-	25	-	30	-	30	ns
Output Active from End of Write	tOW	5	-	5	-	5	-	5	-	ns

* These parameters is measured with 30pF test load.

DATA RETENTION CHARACTERISTICS

Item	Symbol	Test Condition	Min	Typ	max	unit
Vcc for data retention	V _{DR}	$\overline{CS} \geq V_{CC}-0.2V$	1.5	-	-	V
Data retention current	I _{DR}	$V_{CC}=5.0, \overline{CS} \geq V_{CC}-0.2V$	-		10	uA
Data retention set-up time	t _{CDR}	See data retention waveform	0	-	-	ms
Recovery time	t _R		5	-	-	

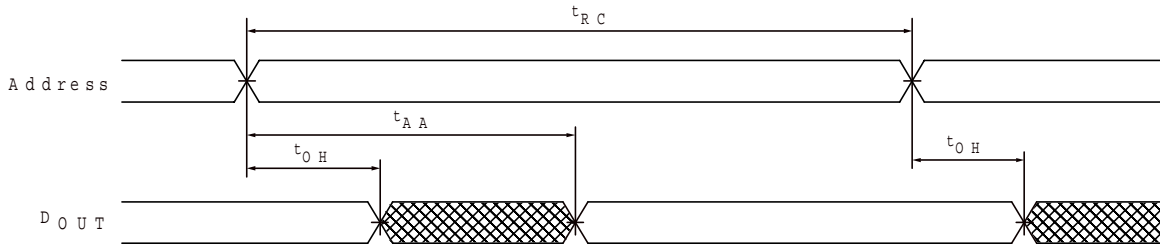
DATA RETENTION WAVE FORM



TIMING WAVEFORMS

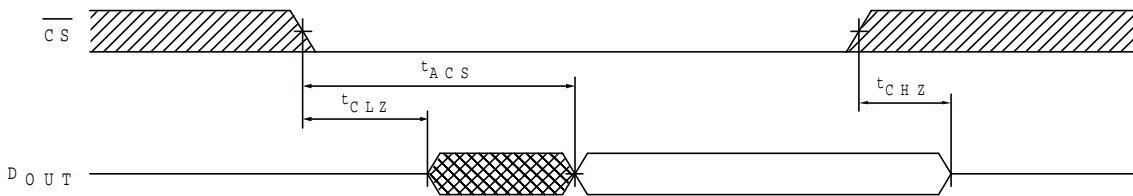
READ CYCLE 1

(Address Controlled)



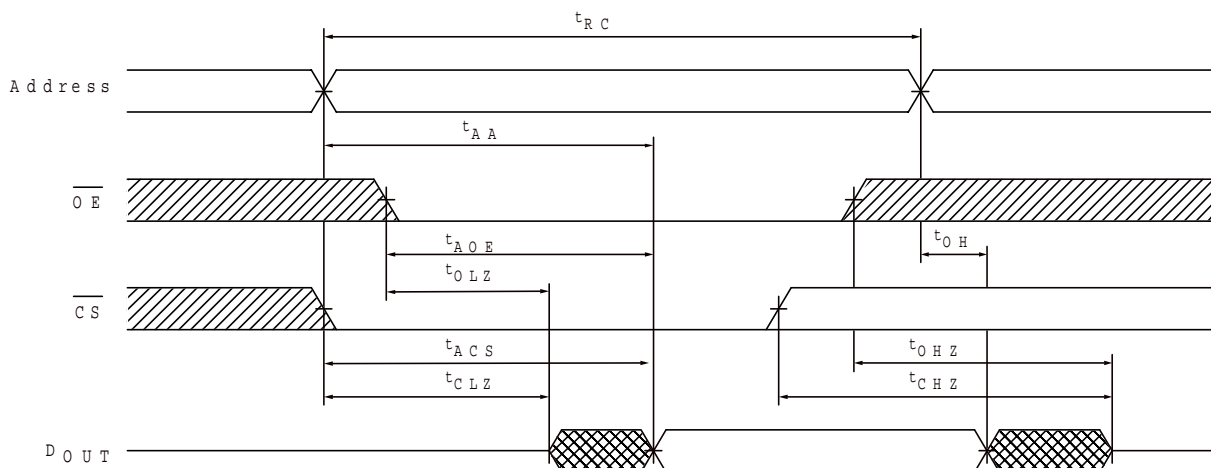
READ CYCLE 2



(Chip Select Controlled)



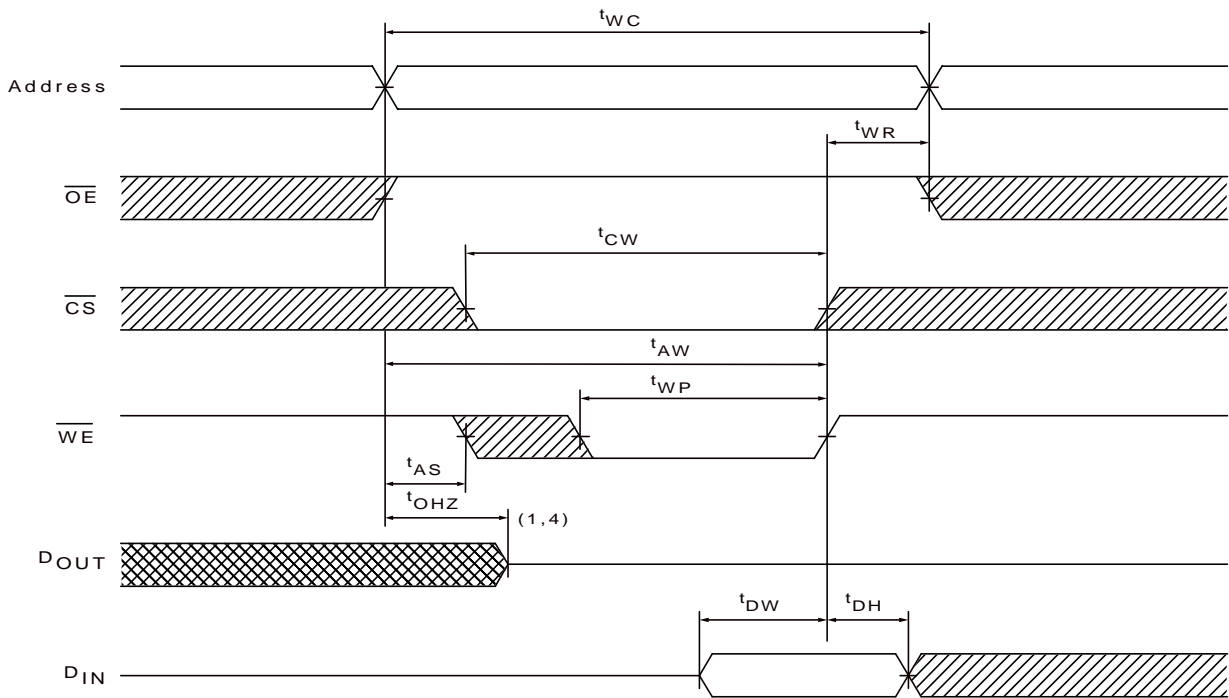
READ CYCLE 3

(Output Enable Controlled)

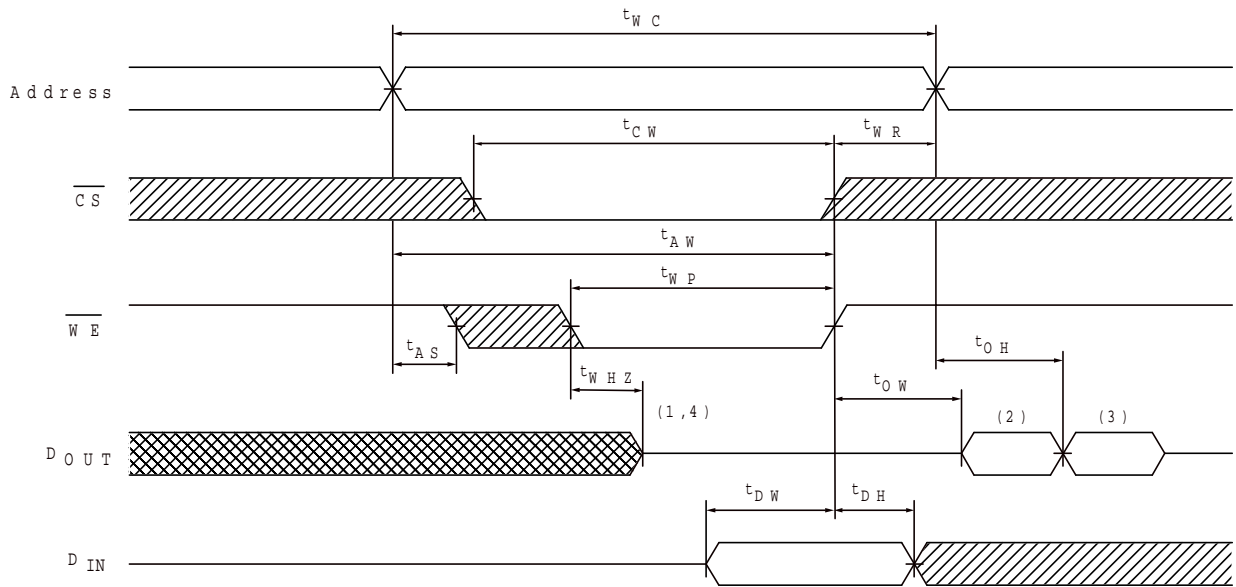




 DON'T CARE
 UNDEFINED

WRITE CYCLE 1 (\overline{OE} CLOCK)



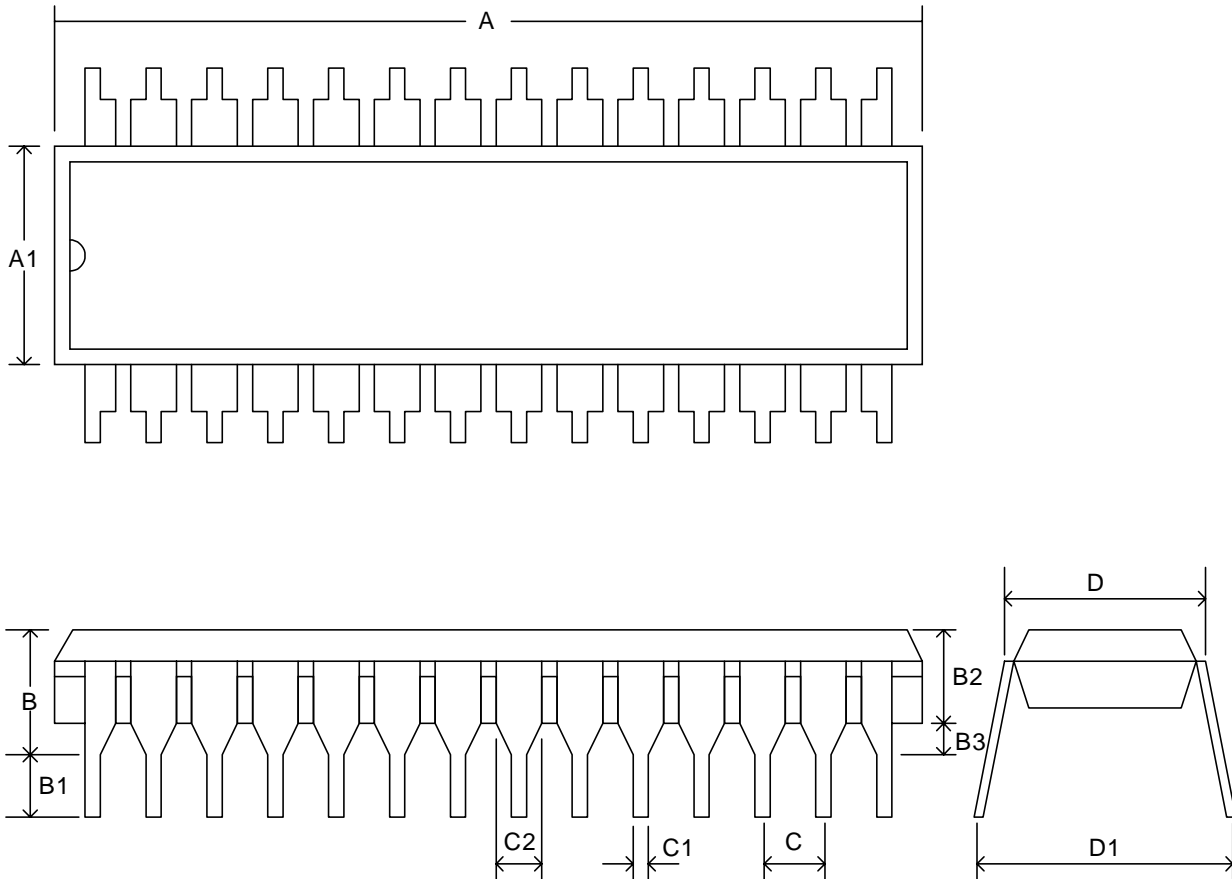
WRITE CYCLE 2 ($\overline{OE} = V_{IL}$ Fixed)



 DON'T CARE
 UNDEFINED

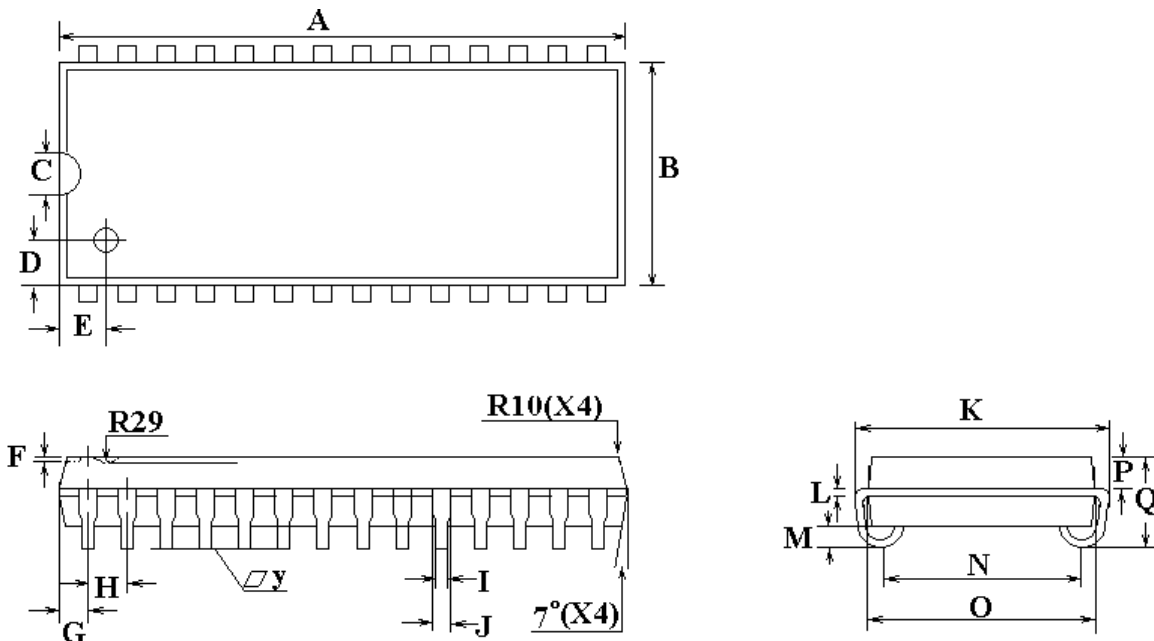
- Notes: 1. During this period, I/O pins are in the output state, so input signals of opposite phase to the outputs should not be applied.
2. The data output from D_{OUT} are the same as the data written to D_{IN} during the write cycle.
3. D_{OUT} provides the read data for the next address.
4. Transition is measured ± 500 mV from steady state with $C_L = 5$ pF. This parameter is guaranteed but not 100% tested.
5. If \overline{OE} is low during a \overline{WE} controlled write cycle, the write pulse width must be the larger of t_{WP} or $(t_{WHZ} + t_{DW})$ to allow the I/O drivers to turn off and data to be placed on the bus for the required t_{DW} . If \overline{OE} is high during a \overline{WE} controlled write cycle, this requirement does not apply and the write pulse can be as short as the specified t_{WP} .

PACKAGE DIMENSIONS
28-LEAD DIP SRAM (600 mil)



Symbol	Dimension in inches			Dimension in mm		
	min.	typ.	max	min.	typ.	max.
A	1.440	1.450	1.460	36.58	36.83	37.08
A1	0.546	0.550	0.554	13.87	13.97	14.07
B	-	0.210	-	-	5.33	-
B1	0.100	-	-	2.54	-	-
B2	0.140	0.150	0.160	3.56	3.81	4.06
B3	0.015	-	-	0.38	-	-
C	-	0.100	-	-	2.54	-
C1	0.016	0.018	0.020	0.41	0.46	0.51
C2	-	0.060	-	-	1.52	-
D	0.600	0.612	0.624	15.24	15.54	15.85
D1	0.630	0.650	0.670	16.0	16.51	17.0

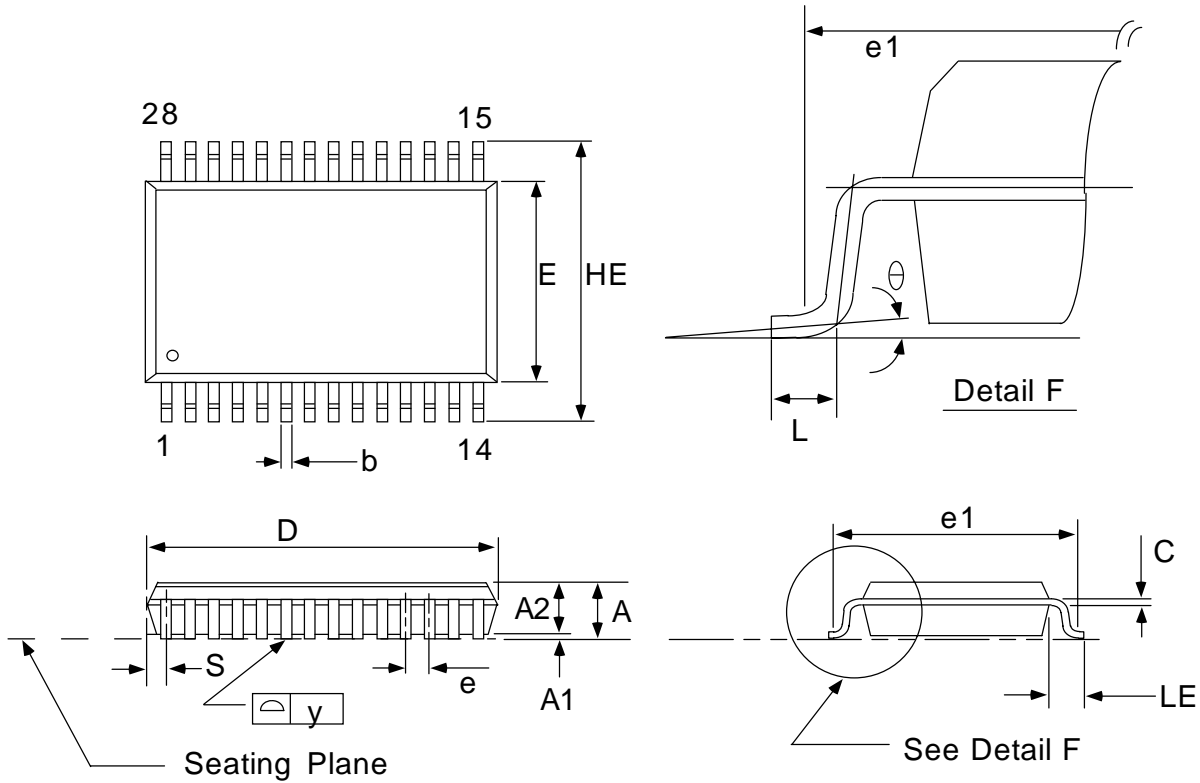
PACKAGE DIMENSIONS
28-LEAD SOJ SRAM (300 mil)



SYMBOL	DIMENSIONS IN INCHES	DIMENSIONS IN MM
A	0.710±0.002	18.03±0.05
B	0.300±0.005	7.62±0.13
C	0.060±0.002	1.52±0.05
D	0.050±0.001	1.27±0.03
E	0.063±0.001	1.63±0.03
F	0.015±0.002	0.38±0.05
G	0.030±0.002	0.76±0.05
H	0.050±0.002	1.27±0.05
I	0.018±0.002	0.46±0.05
J	0.028±0.002	0.71±0.05
K	0.337±0.002	8.56±0.05
L	0.010±0.001	0.25±0.03
M	0.026±0.002	0.66±0.05
N	0.268±0.003	6.81±0.08
O	0.300±0.002	7.62±0.05
P	0.053±0.001	1.35±0.03
Q	0.140±0.004	3.56±0.10
y	0.004(MAX)	0.10(MAX)

PACKAGE DIMENSIONS

28-LEAD SOP



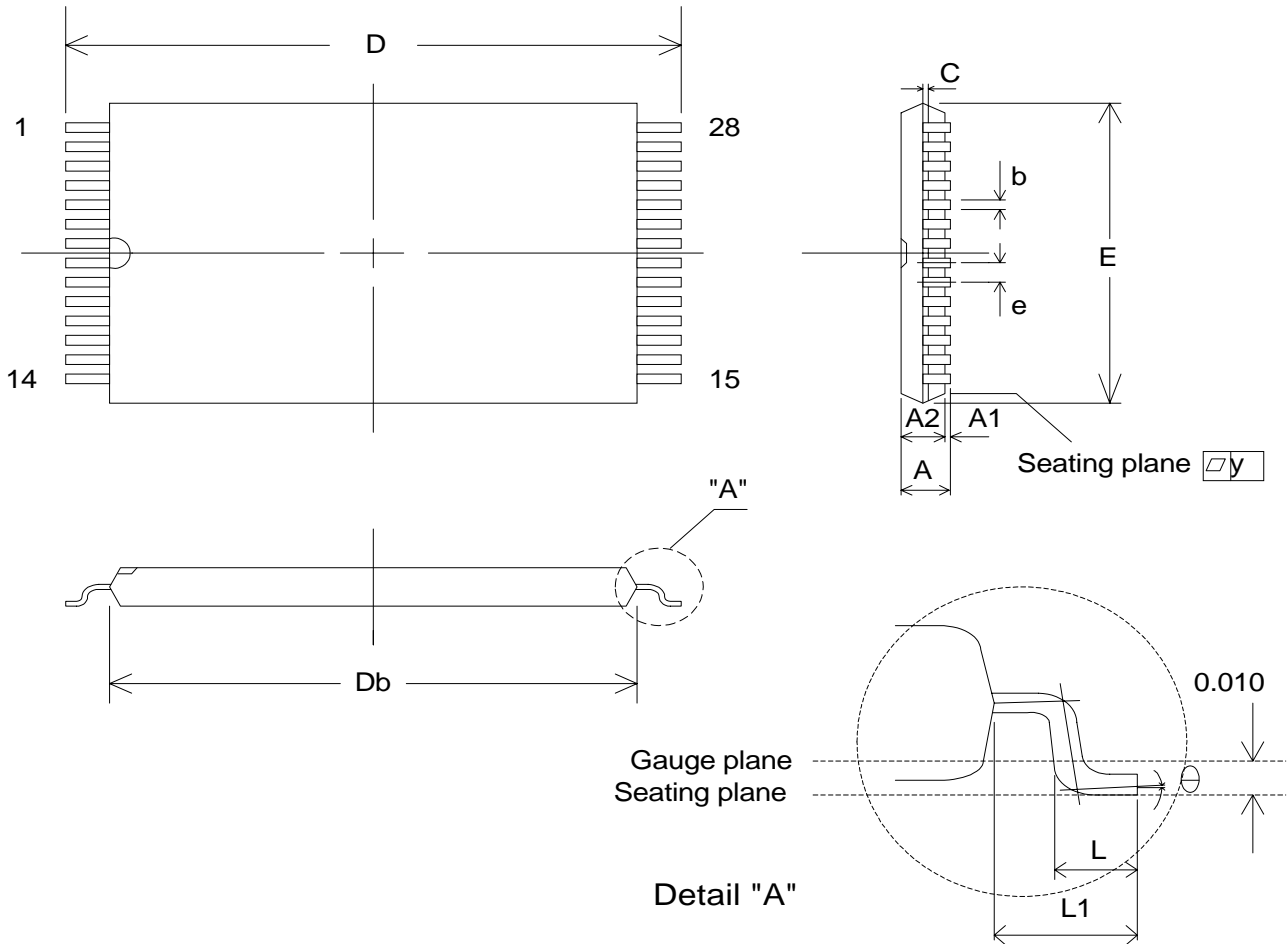
Symbol	Dimension in inches			Dimension in mm		
	min.	typ.	max	min.	typ.	max.
A	-	-	0.112	-	-	2.845
A1	0.004	-	-	0.102	-	-
A2	0.093	0.098	0.103	2.362	2.489	2.616
b	0.014	0.016	0.020	0.335	0.406	0.508
C	0.008	0.010	0.014	0.203	0.254	0.356
D	-	0.713	0.733	-	18.110	18.618
E	0.326	0.331	0.336	8.280	8.407	8.534
e	0.044	0.050	0.056	1.118	1.270	1.422
HE	0.453	0.465	0.477	11.506	11.811	12.116
L	0.028	0.036	0.044	0.711	0.914	1.117
LE	0.059	0.067	0.075	1.499	1.702	1.905
S	-	39	-	-	1.0	-
y	-	-	0.004	-	-	0.102
θ	0°	-	10°	0°	-	10°

Notes :

1. Dimensions D max. & S include mold flash or tie bar burrs.
2. Dimension b does not include dambar protrusion / intrusion.
3. Dimensions D & E include mold mismatch and determined at the mold parting line.
4. controlling dimension : inches
5. general appearance spec should be based on final visual inspection spec.

PACKAGE DIMENSIONS

28-LEAD TSOP-I FORWARD AND REVERSE (8X13.4mm)



SYMBOL	DIMENSIONS IN INCHES	DIMENSIONS IN MM
A	0.047(max.)	1.20(max.)
A1	0.004±0.002	0.10±0.05
A2	0.039±0.002	1.00±0.05
b	0.008(typ.)	0.20(typ.)
c	0.006(typ.)	0.15(typ.)
Db	0.465±0.004	11.80±0.10
E	0.315±0.004	8.00±0.10
e	0.022(typ.)	0.55(typ.)
D	0.528±0.008	13.40±0.20
L	0.020±0.004	0.50±0.10
L1	0.0315±0.004	0.80±0.10
y	0.004(max.)	0.10(max.)
θ	0°~5°	0°~5°