

**PLEASE CHECK WWW.MOLEX.COM FOR LATEST PART INFORMATION**

**Part Number:** [0473002010](#)  
**Status:** **Active**  
**Overview:** slimline serial ata odd connectors  
**Description:** 1.00mm (.039"), 1.27mm (.050") Pitch Slimline Serial ATA Receptacle for Optical Disk Drive, Right Angle, Short Type

**Documents:**

[3D Model](#) [Product Specification PS-47300-001 \(PDF\)](#)  
[Drawing \(PDF\)](#) [RoHS Certificate of Compliance \(PDF\)](#)

**Agency Certification**

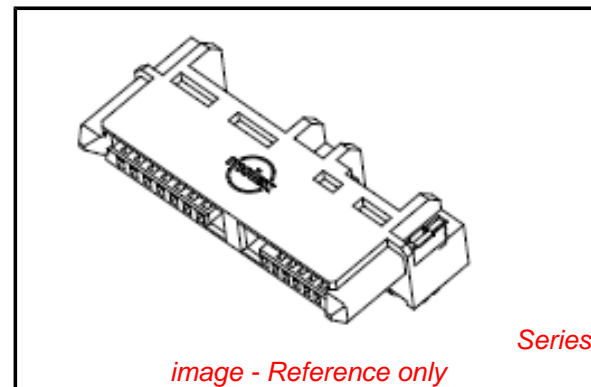
CSA LR 19980

**General**

Product Family PCB Receptacles  
 Series [47300](#)  
 Application Board-to-Board  
 Overview slimline serial ata odd connectors  
 Product Name Serial ATA, Slimline Serial ATA

**Physical**

Circuits (Loaded) 13  
 Circuits (maximum) 13  
 Color - Resin Black  
 Durability (mating cycles max) 500  
 Flammability 94V-0  
 Glow-Wire Compliant No  
 Guide to Mating Part Yes  
 Keying to Mating Part Yes  
 Lock to Mating Part No  
 Material - Metal Copper Alloy  
 Material - Plating Mating Gold  
 Material - Plating Termination Tin  
 Material - Resin High Temperature Thermoplastic  
 Number of Rows 1  
 Orientation Right Angle  
 PC Tail Length (in) 0.000 In  
 PC Tail Length (mm) 0.00 mm  
 PCB Locator Yes  
 PCB Retention Yes  
 PCB Thickness Recommended (in) 0.000 In  
 PCB Thickness Recommended (mm) 0.00 mm  
 Packaging Type Embossed Tape on Reel  
 Pitch - Mating Interface (in) 0.039 In, 0.050 In  
 Pitch - Mating Interface (mm) 1.00 mm, 1.27 mm  
 Pitch - Term. Interface (in) 0.039 In, 0.050 In  
 Pitch - Term. Interface (mm) 1.00 mm, 1.27 mm  
 Plating min: Mating (µin) 4  
 Plating min: Mating (µm) 0.1  
 Plating min: Termination (µin) 40  
 Plating min: Termination (µm) 1  
 Polarized to Mating Part Yes  
 Polarized to PCB Yes  
 Stackable No  
 Temperature Range - Operating -35°C to +85°C  
 Termination Interface: Style Surface Mount



**EU RoHS**

**ELV and RoHS Compliant**  
**REACH SVHC Contains SVHC: No**  
**Halogen-Free Status**

**China RoHS**



**Need more information on product environmental compliance?**

Email [productcompliance@molex.com](mailto:productcompliance@molex.com)  
 For a multiple part number RoHS Certificate of Compliance, [click here](#)

Please visit the [Contact Us](#) section for any non-product compliance questions.

**Search Parts in this Series**

[47300Series](#)

**Mates With**

[473001xxx Slimline Serial ATA Plugs](#)

**Electrical**

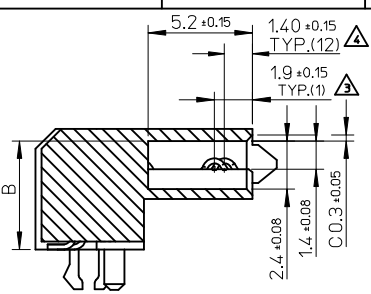
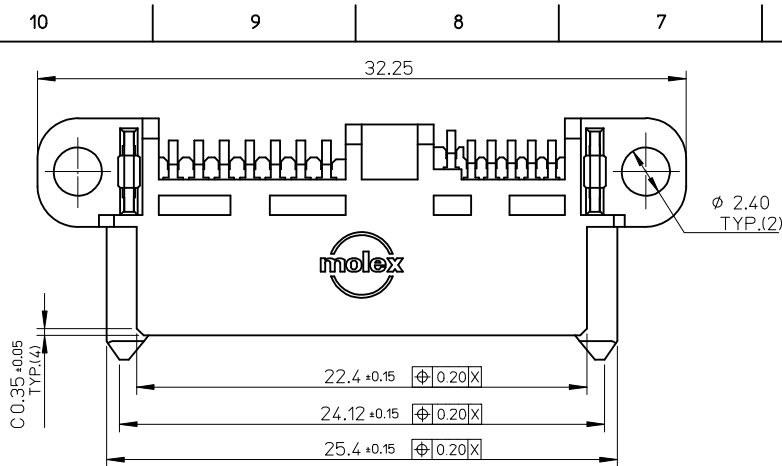
Current - Maximum per Contact	1.5A
Grounding to PCB	Yes
Voltage - Maximum	15V DC

**Material Info****Reference - Drawing Numbers**

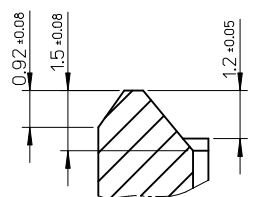
Packaging Specification	PK-47300-001
Product Specification	PS-47300-001
Sales Drawing	SD-47300-200

This document was generated on 05/26/2010

**PLEASE CHECK [WWW.MOLEX.COM](http://WWW.MOLEX.COM) FOR LATEST PART INFORMATION**



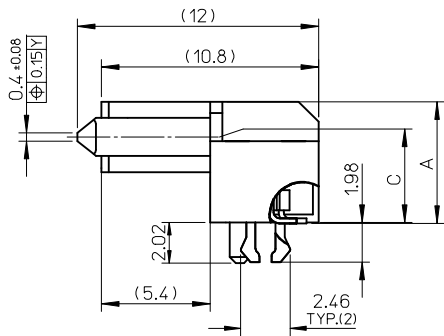
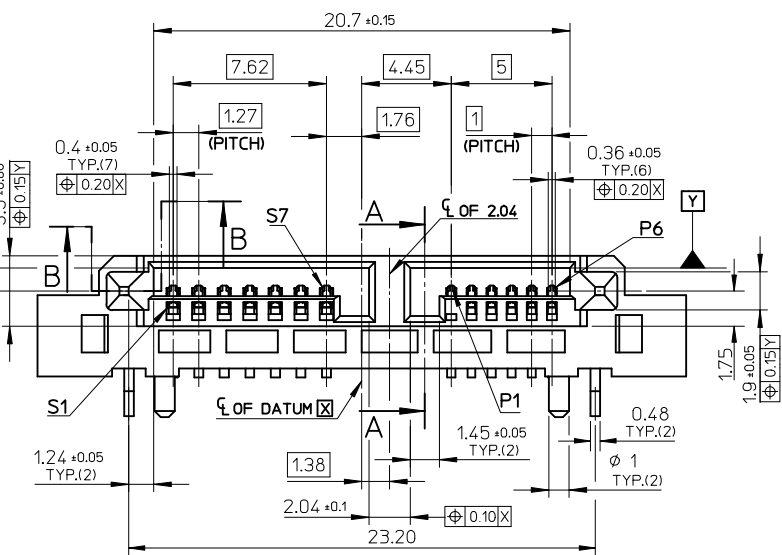
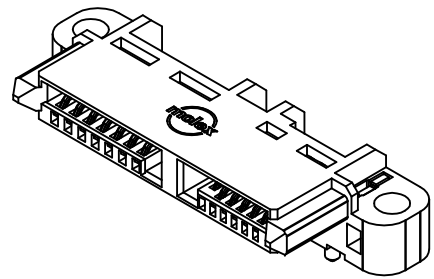
SECTION A-A



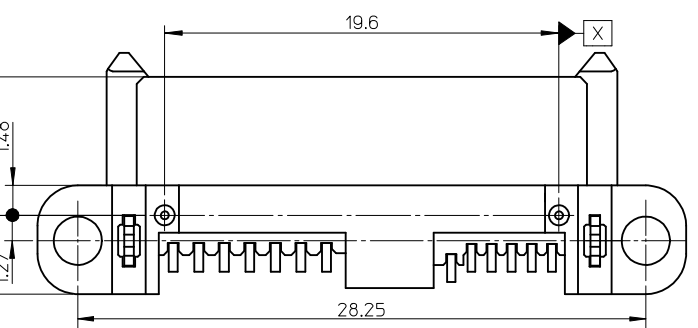
SECTION B-B  
( 8:1 )

NOTES :

- 1.MATERIAL :  
HOUSING : HIGH TEMPERATURE THERMOPLASTIC,  
UL94V-0, 30% G.F., BLACK  
TERMINAL : COPPER ALLOY  
FORKLOCK : COPPER ALLOY
- 2.PLATING :  
TERMINAL :  
CONTACT AREA : GOLD PLATING, DETAIL REFER TO CHART.  
SOLDER AREA : MATTE TIN PLATING 1 MICRONS MIN.  
UNDERPLATING : NICKEL PLATING 2.5 MICRONS MIN.  
FORKLOCK :  
MATTE TIN PLATING 1 MICRONS MIN. OVER NICKEL PLATING  
1 MICRONS MIN.
- 3.FOR P1 PIN ONLY.  
4.FOR ALL OTHER PINS.
- 5.PRODUCT SPECIFICATION: PS-47300-001.
- 6.THE PRODUCT COMPLIANT TO RoHS DIRECTIVE 2002/95/EC  
AND 2000/53/EC.



P/N	CONTACT PLATING SPEC	DIM'A'	DIM'B'	DIM'C'
47300-2000	GOLD FLASH	6	5.4	4.25
47300-2100	GOLD 15 u" MIN			
47300-2200	GOLD 30 u" MIN			

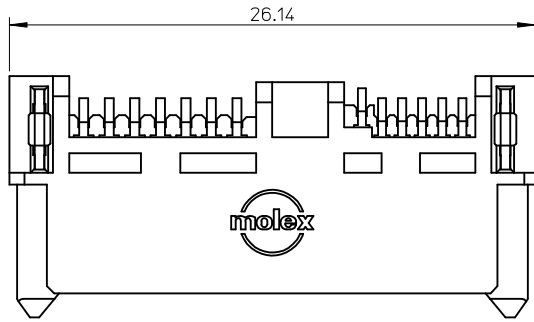


NO CHANGE	EC NO:	2009/07/28	2009/07/28	2009/09/02
DRWN:XOZHANG	CHKD:GLLI	APPR:XJISONG	DESCRIPTION	REV

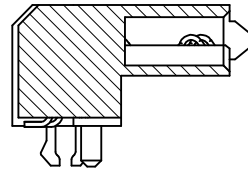
QUALITY SYMBOLS	GENERAL TOLERANCES (UNLESS SPECIFIED)	
	mm	INCH
▽=0	4 PLACES ± ---	± ---
▽=0	3 PLACES ± ---	± ---
	2 PLACES ± 0.15	± ---
	1 PLACE ± 0.20	± ---
	ANGULAR ± 3 °	

DIMENSION STYLE		SCALE	DESIGN UNITS	THIRD ANGLE PROJECTION
MM ONLY		4:1	METRIC	
DRAWN BY	DATE	TITLE		
DIXON LI	04/04/2006	SLIMLINE SATA RECEPTACLE CONNECTOR STANDARD TYPE		
CHECKED BY	DATE	MOLEX INCORPORATED		
JENNY ZENG	04/04/2006	DOCUMENT NO. SD-47300-200		
APPROVED BY	DATE	SHEET NO. 1 OF 3		
GRATE MA	04/04/2006			
MATERIAL NO.	SEE TABLE			

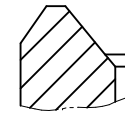
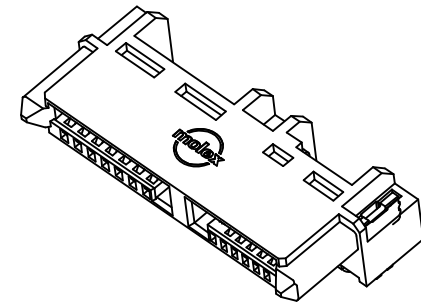
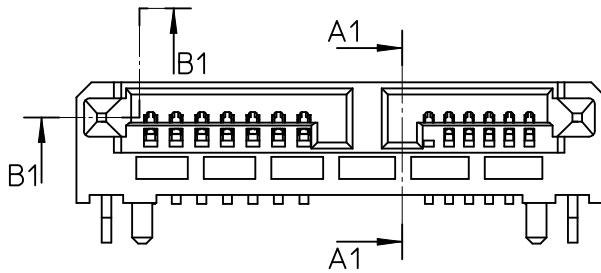
DRAFT WHERE APPLICABLE MUST REMAIN WITHIN DIMENSIONS		THIS DRAWING CONTAINS INFORMATION THAT IS PROPRIETARY TO MOLEX INCORPORATED AND SHOULD NOT BE USED WITHOUT WRITTEN PERMISSION	
--	--	---	--



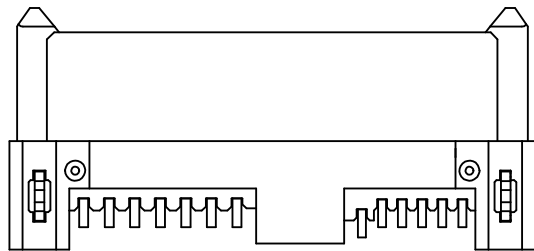
NOTES :  
 TERMINAL CONTACT PLATING SPEC: GOLD FLASH,  
 OTHER DIMENSIONS AND NOTES REFER TO SHEET-1



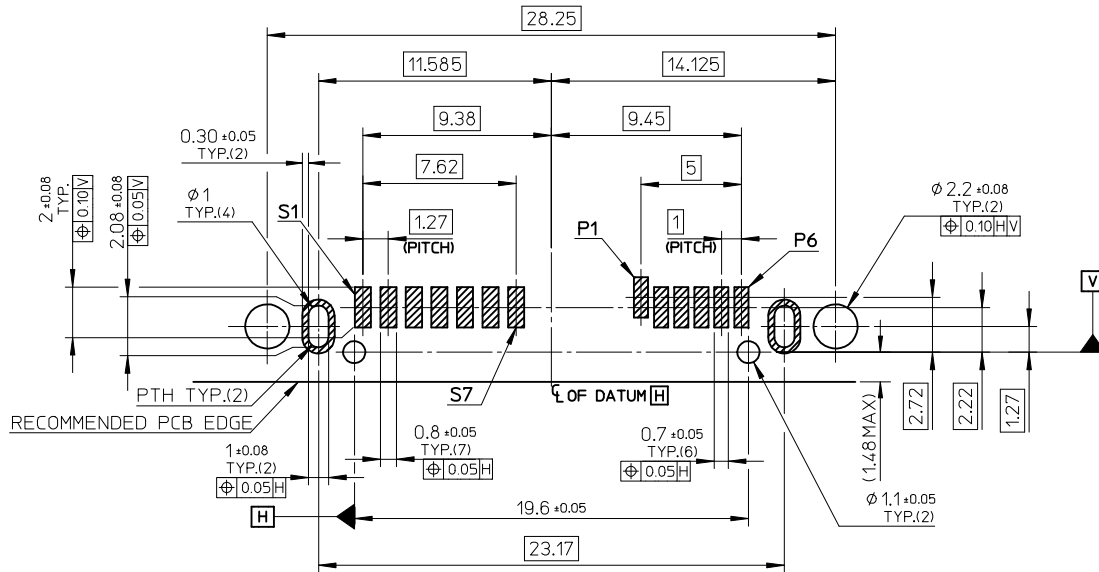
SECTION A1-A1



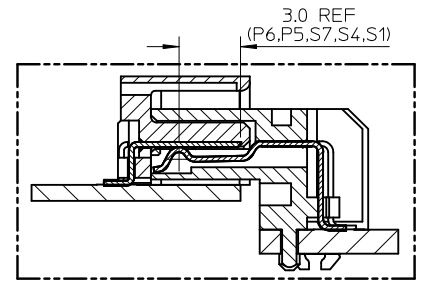
SECTION B1-B1  
 ( 8:1 )



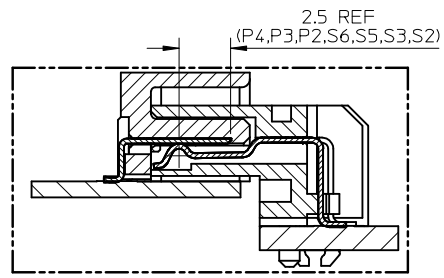
NO CHANGE EC NO: 2009/07/28 DRWN: XQZHANG 2009/07/28 CHKD: GLLI 2009/07/28 APPR: XJSONG 2009/09/02	DESCRIPTION REV	QUALITY SYMBOLS	GENERAL TOLERANCES (UNLESS SPECIFIED)		DIMENSION STYLE MM ONLY		SCALE 4:1	DESIGN UNITS METRIC	THIRD ANGLE PROJECTION	
		▼=0 Ⓢ=0	mm	INCH	DRAWN BY DIXON LI	DATE 04/04/2006	TITLE SLIMLINE SATA RECEPTACLE CONNECTOR SHORT TYPE			
			4 PLACES ± --- ± ---	3 PLACES ± --- ± ---	CHECKED BY JENNY ZENG	DATE 04/04/2006	MOLEX INCORPORATED			
			2 PLACES ± 0.15 ± ---	1 PLACE ± 0.20 ± ---	APPROVED BY GRATE MA	DATE 04/04/2006	MATERIAL NO. 47300-2010		DOCUMENT NO. SD-47300-200	SHEET NO. 2 OF 3
DRAFT WHERE APPLICABLE MUST REMAIN WITHIN DIMENSIONS			ANGULAR ± 3 °		THIS DRAWING CONTAINS INFORMATION THAT IS PROPRIETARY TO MOLEX INCORPORATED AND SHOULD NOT BE USED WITHOUT WRITTEN PERMISSION					



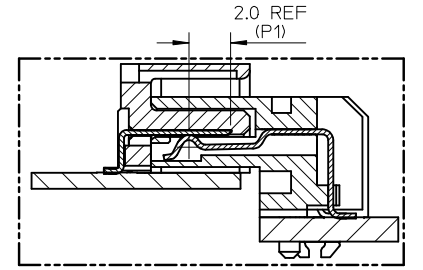
RECOMMENDED PCB LAYOUT  
THICKNESS: 1.20±0.05



CUTAWAY1



CUTAWAY2



CUTAWAY3

ADD PCB THICKNESS IEC NO: 2009/07/28 DRW: XZHZHANG CH/KD: GLLI APPR: XJ.SONG 2009/09/02	DESCRIPTION REV	QUALITY SYMBOLS	GENERAL TOLERANCES (UNLESS SPECIFIED)	DIMENSION STYLE	SCALE	DESIGN UNITS	THIRD ANGLE PROJECTION	
		$\nabla = 0$ $\nabla C = 0$	mm    INCH 4 PLACES ± --- ± --- 3 PLACES ± --- ± --- 2 PLACES ± 0.15 ± --- 1 PLACE ± 0.20 ± --- ANGULAR ± 3 °	MM ONLY	4:1	METRIC		
			DRAFT WHERE APPLICABLE MUST REMAIN WITHIN DIMENSIONS	DRAWN BY: DIXON LI    DATE: 04/04/2006 CHECKED BY: JENNY ZENG    DATE: 04/04/2006 APPROVED BY: GRATE MA    DATE: 04/04/2006 MATERIAL NO.	TITLE		SLIMLINE SATA RECEPTACLE CONNECTOR	
			SEE REMARK	MOLEX INCORPORATED		DOCUMENT NO.	SD-47300-200	
				SIZE: A3	THIS DRAWING CONTAINS INFORMATION THAT IS PROPRIETARY TO MOLEX INCORPORATED AND SHOULD NOT BE USED WITHOUT WRITTEN PERMISSION			SHEET NO. 3 OF 3