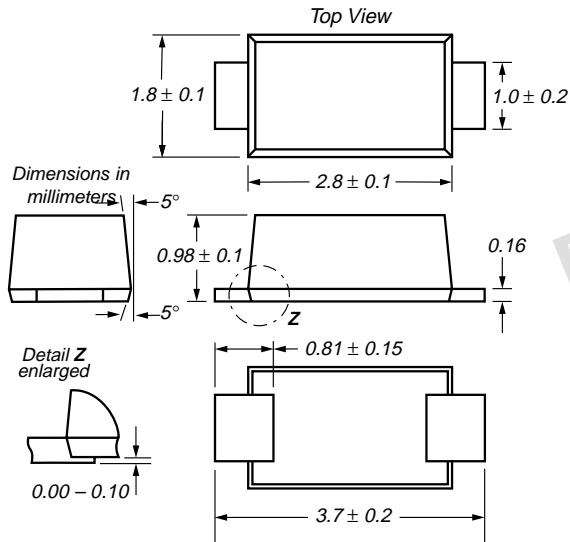
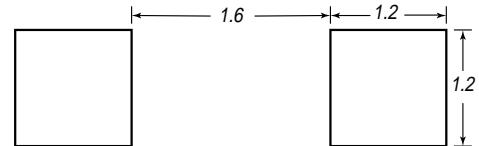



DO-219 (SMF)

Small Surface Mount Ultrafast Rectifiers

Forward Current 0.7A
Reverse Voltage 100 to 200V


Mounting Pad Layout


Mechanical Data

Case: SMF Plastic Case

Polarity: Color band denotes cathode end

Weight: approx. 0.01g

Packaging codes/options: TBD

Features

- For surface mounted applications
- Low profile package
- Ideal for automated placement
- High temperature soldering:
250°C/10 seconds at terminals

Maximum Ratings and Thermal Characteristics (T_C = 25°C unless otherwise noted)

Parameter	Symbol	ES07B	ES07D	Unit
Device marking code		EB	ED	
Maximum repetitive peak reverse voltage	V _{RRM}	100	200	V
Maximum RMS voltage	V _{RMS}	70	140	V
Maximum DC blocking voltage	V _{DC}	100	200	V
Maximum average forward rectified current	I _{F(AV)}	0.7		A
Peak forward surge current 8.3ms single half sine-wave T _L = 25°C	I _{FSM}	30		A
Typical thermal resistance (on ceramic substrate) (on epoxy substrate)	R _{θJA}	55 120		°C/W
Operating junction and storage temperature range	T _J , T _{STG}	-55 to +125		°C

Electrical Characteristics (T_C = 25°C unless otherwise noted)

Parameter	Symbol	Value	Unit
Maximum instantaneous forward voltage at 1.0A	V _F	0.98	V
Maximum DC reverse current at Rated DC blocking voltage	I _R	10 50	μA mA
Typical reverse recovery time at I _F =0.5A, I _R =1.0A, I _{rr} =0.25A	t _{rr}	25	ns
Typical capacitance at 4V, 1 MHz	C _J	TBD	pf