

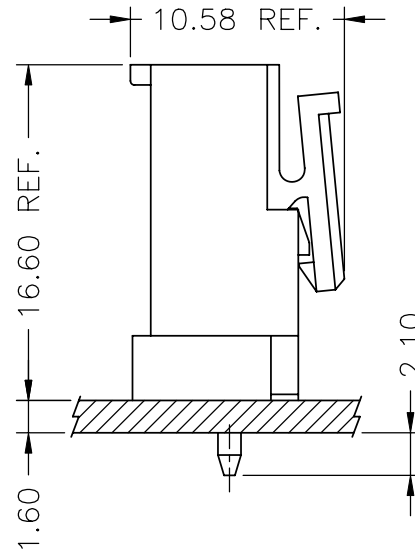
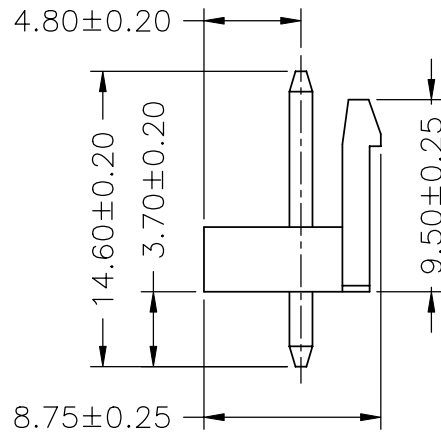
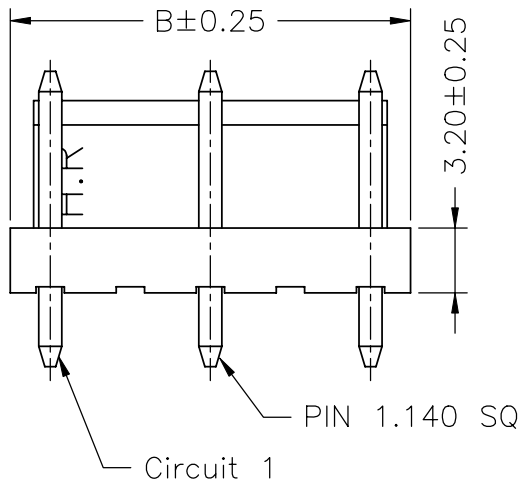
P/N LEGEND

A7921	WV	XP	N	0	W	XX	N	00	G
①	②	③	④	⑤	⑥	⑦	⑧	⑨	⑩

① Series No.  
 ② Connector type: WV=Vertical  
 ③ No. of circuits  
 ④ N=Halogen Free  
 ⑤ Material: 0=Nylon 66-V0  
 ⑥ Color: W=White  
 ⑦ Plating code for contacts:  
 T1=Tin-plated; G1=Gold-flash  
 ⑧ Plating code: N=Non-plating  
 ⑨ Option code: 00=Standard  
 ⑩ Packing code: G=Bag

SPECIFICATIONS

Current Rating: 7A AC,DC  
 Voltage Rating: 250V AC,DC  
 Temperature Range: -25°C ~ +85°C  
 Contact Resistance: 10mΩ Max  
 Insulation Resistance: 1000MΩ Min  
 Withstanding Voltage: 1500V AC/minute  
 Pin Material: Brass  
 Material: Nylon 66,UL94V-0  
 Color: White



Circuit No.	Dimensions	
	A	B
02P	7.92	11.88
03P	15.84	19.80
04P	23.76	27.72
05P	31.68	35.64
06P	39.60	43.56
07P	47.52	51.48
08P	55.44	59.40

				UNIT	SCALE	SHEET	TITLE:
				mm	1 : 1	1 of 1	
DRAWN BY		APPROVED BY		7.92mm PITCH 180° WAFER			
陳敏		董正一					
2011.07.26		2011.07.26					
GENERAL TOLERANCE				DRAW NO. : A7921WV-XPXXXXXXXXX			
A1	EN1107260309	2011.07.26	陳敏	X.X±0.25	ANGLE±	REV. A1	
REV.	DESCRIPTION	DATE	NAME	X.XX±0.15			
				X.XXX±0.05			