

General Description

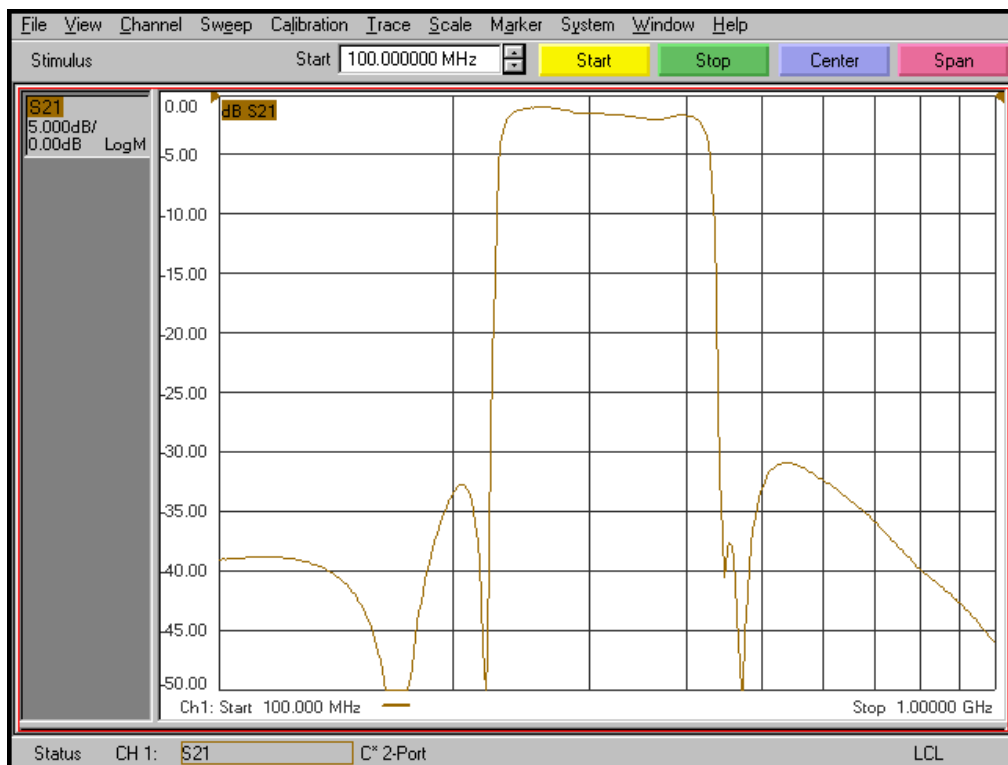
KR Electronics part number 3177-SMA is a group delay equalized 332.5 MHz bandpass filter. The filter has a min 3 dB bandwidth of 190 MHz. Other center frequencies and bandwidths are available. Please consult the factory.

Features

- 332.5 MHz Bandpass Filter
- 190 MHz min 3 dB Bandwidth
- Group Delay Equalized for Linear Phase
- Highly Selective Elliptic Type Filter
- 50 Ω Source and Load
- SMA Connectors
- Surface mount available

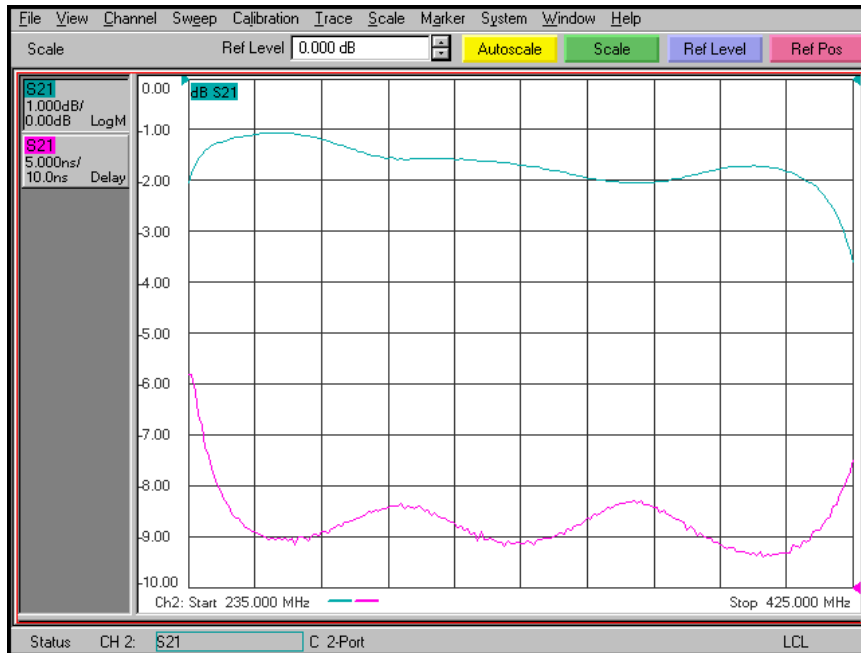
Typical Performance

Overall Response (10 dB/div)

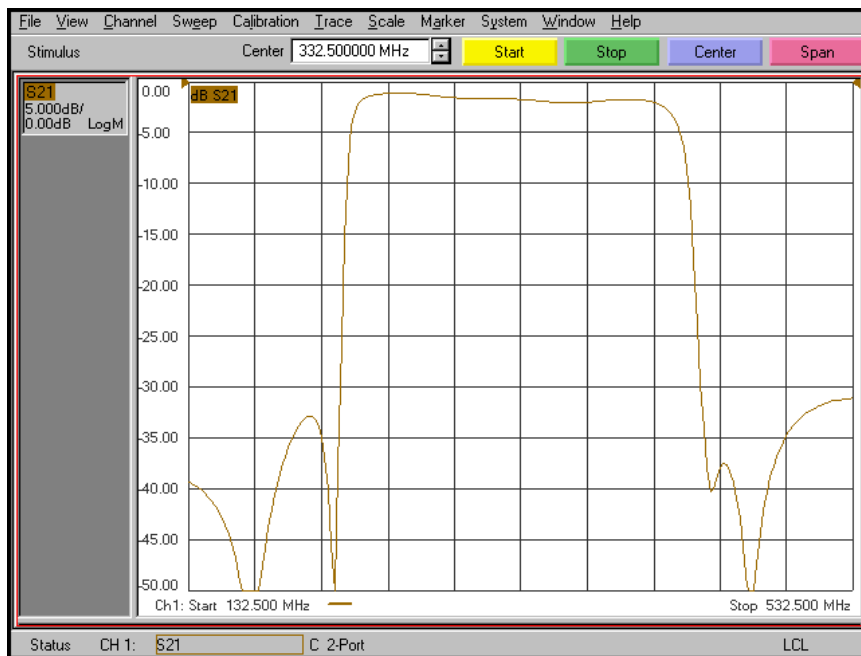


Typical Performance

Passband Amplitude & Group Delay (1 dB/div & 5 nsec/div)



Overall Response (10 dB/div)



KR Electronics, Inc.
91 Avenel Street
Avenel, NJ 07001

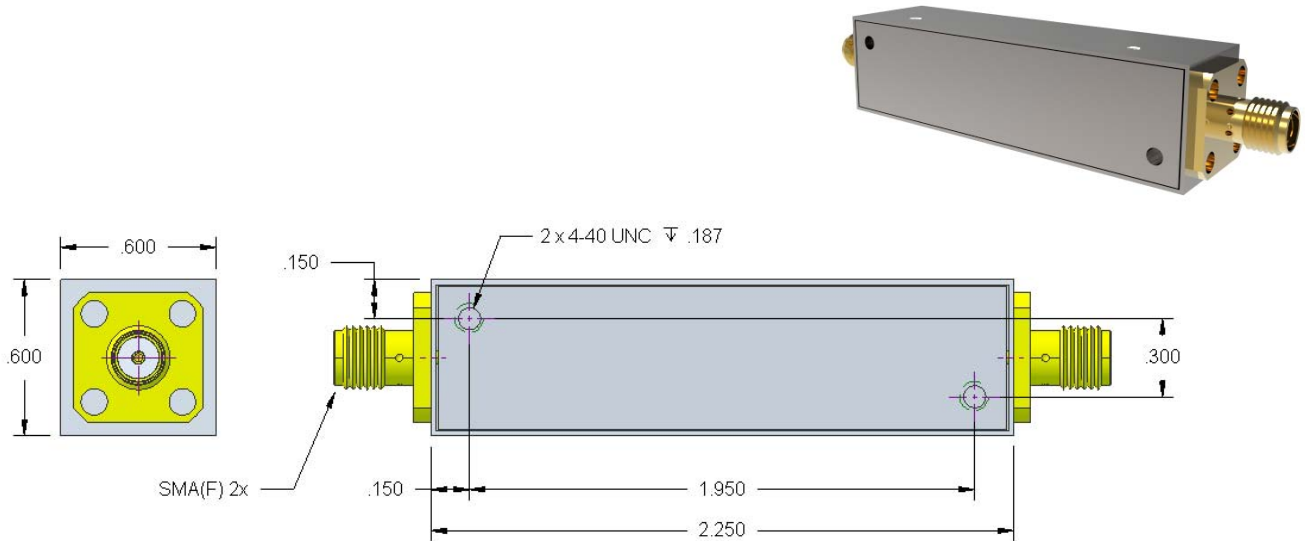
Web www.krfilters.com
Email sales@krfilters.com
Phone (732) 636-1900
Fax (732) 636-1982

KR Electronics 3177-SMA

Specifications

Parameter	Specification	Notes
Filter type	Bandpass	
Center Frequency Fc	332.5 MHz	
Insertion Loss at Fc	3.5 dBa max	2 dBa typical
1 dBc Bandwidth	178 MHz typical	
3 dBc Bandwidth	190 MHz min	195 MHz typical
Rejection at 225 MHz & 425 MHz	20 dBc min	
20 dBc Bandwidth	212 MHz typical	
30 dBc Bandwidth	218 MHz typical	
Group Delay Variation 250 MHz to 415 MHz	10 nsec max	5 nsec typical
Source and Load	50 Ω	

Physical Dimensions



Notes:

1. Dimensions in inches
2. Rectangular case
3. Also available in surface mount package 2" x 0.5" x 0.3"

KR Electronics, Inc.
91 Avenel Street
Avenel, NJ 07001

Web www.krfilters.com
Email sales@krfilters.com
Phone (732) 636-1900
Fax (732) 636-1982