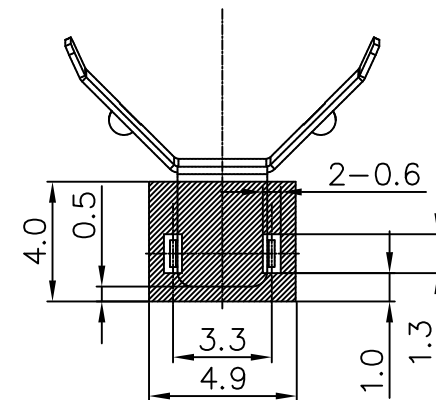
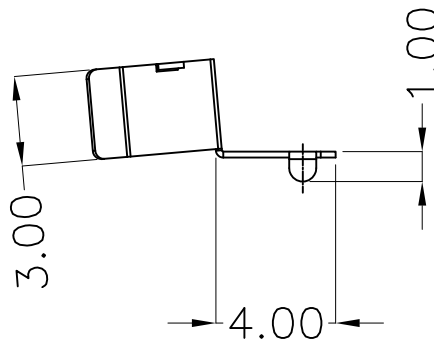
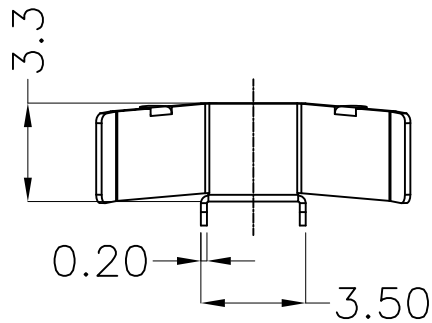
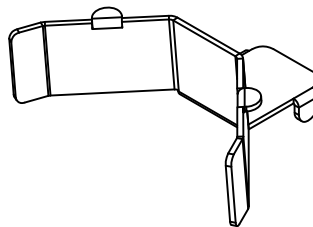
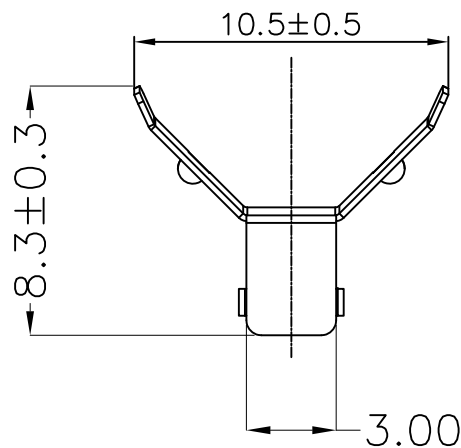




REV.	ECN NO.	REVISED	DATE



PCB LAYOUT DIAGRAM
TOP VIEW



工程部
2019-06-03
LQ. HUANG

技术要求:

- 1、毛刺高度 $\leq 0.03\text{mm}$;
- 2、部件要求平整,无变形、裂纹、损伤等外观缺陷;

UNLESS OTHERWISE SPECIFIED TOLERANCES		MYOUNG 美阳 www.meiyangdz.com	
DECIMALS: X :±0.30 X.X :±0.25 X.XX :±0.20 X.XXX :±0.10	ANGLES: X :±1° X.X :±0.5°	DSND YangFeng	DATE 2019-06-03
		CHKD ZhouRuicai	DATE 2019-06-03
		APVD XueShunyong	DATE 2019-06-03
WEIGHT: g		SCALE: 4:1	SIZE: A4
SHEET 1 OF 1		VIEW:	UNIT: mm
		REV.: A/1	OBJECT: MY
		TITLE: 电池接触片-117 正极 DIP	
		PART NO.: MY-ZJ-117	
		DRAW NO.:MY-CP-0203	

1	TERMINAL(+)	1	PHOSPHOR BRONZE, T=0.20mm	Ni-Plating
NO.	PART NAME	Q'TY	MATERIAL	PLATING & COLOR