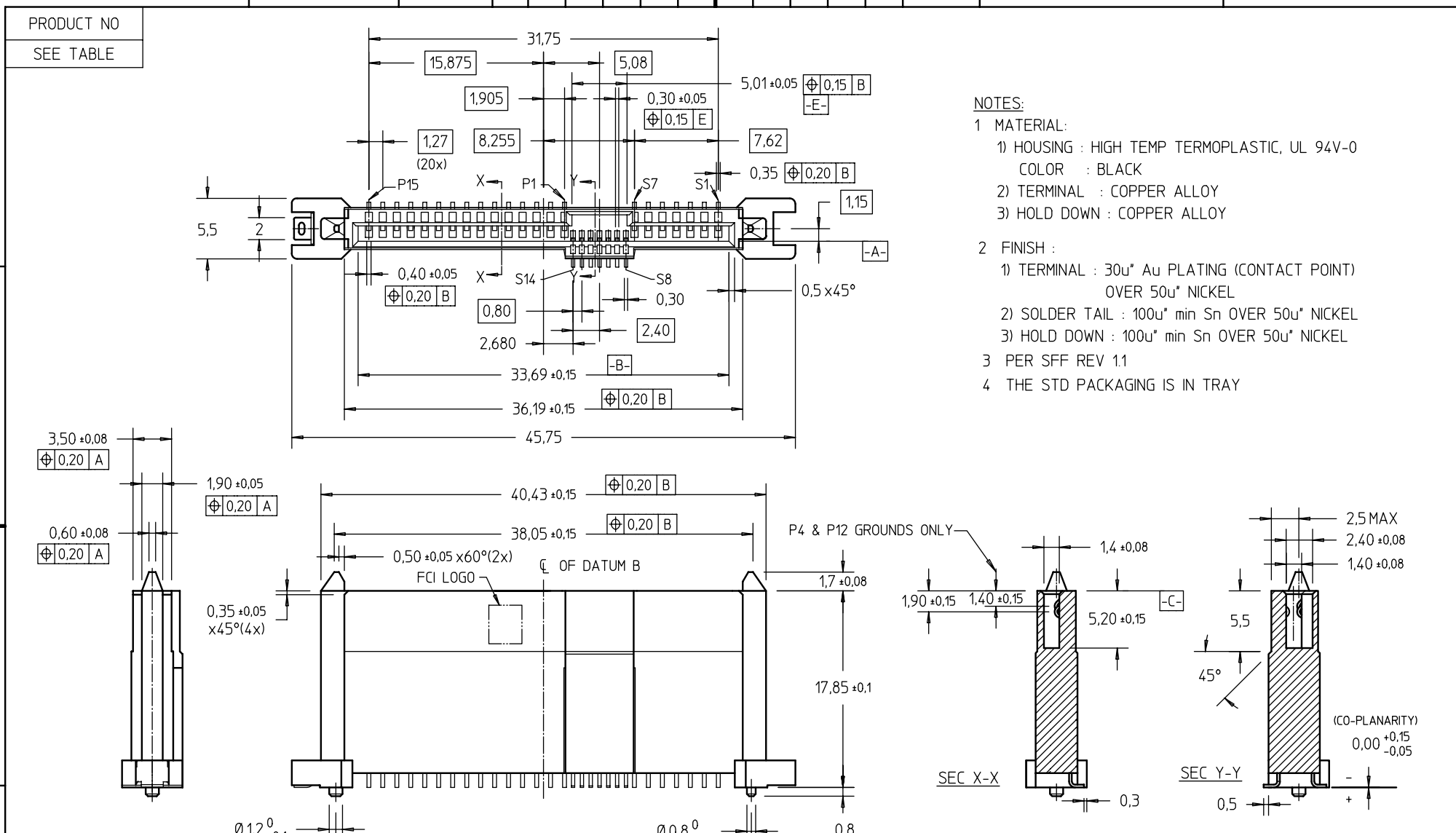


FCI CONFIDENTIAL



This document is the property of and embodies CONFIDENTIAL and PROPRIETARY information of FCI. No part of the information shown on this document may be used in any way or disclosed to others without the written consent of FCI. Copyright FCI.



NOTES:

- MATERIAL:
 - HOUSING : HIGH TEMP TERMOPLASTIC, UL 94V-0
COLOR : BLACK
 - TERMINAL : COPPER ALLOY
 - HOLD DOWN : COPPER ALLOY
- FINISH :
 - TERMINAL : 30u" Au PLATING (CONTACT POINT)
OVER 50u" NICKEL
 - SOLDER TAIL : 100u" min Sn OVER 50u" NICKEL
 - HOLD DOWN : 100u" min Sn OVER 50u" NICKEL
- PER SFF REV 1.1
- THE STD PACKAGING IS IN TRAY

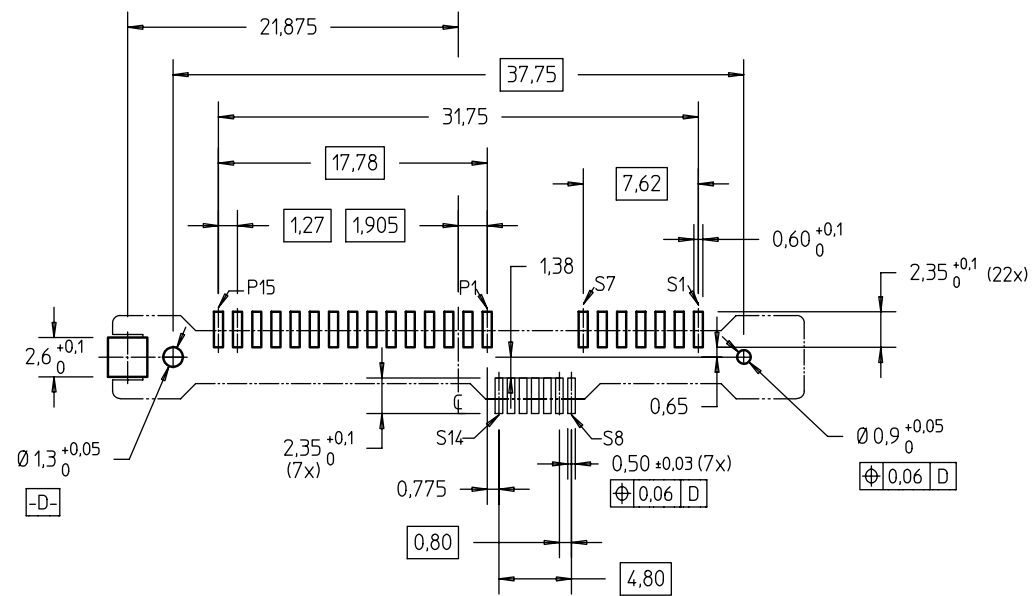
mat'l. code		surface	tolerance	projection	product family
ltr		ISO 1302	ISO 406 ISO 1101		SAS
ecn no	dr	tolerances unless otherwise specified			title
A S04-0265	GLL 2004-12-15	angles	linear	mm	SAS RECEPTACLE EXTENDED HEIGHT VERTICAL SMT TYPE ASSY
B S06-0273	GLL 2006-10-20	± 2°	= ±0.20	scale 2 : 1	dwg no
		dr	GL L00	2004-12-15	sheet 1 of 2
		enr	GL L00	2004-12-15	size
		chr	GL L00	2006-10-20	A4
		appd	JOEY NG	2006-10-20	type
sheet	revision	B	B		CUSTOMER
index	sheet	1	2		Drawing

FCI CONFIDENTIAL



This document is the property of and embodies CONFIDENTIAL and PROPRIETARY information of FCI. No part of the information shown on this document may be used in any way or disclosed to others without the written consent of FCI. Copyright FCI.

PRODUCT NO	REMARKS
10038334-001LF	NOTE ⑥,⑦



RECOMMENDED PCB LAYOUT

NOTES : (Cont'd)

- 5 THE HOUSING WILL WITHSTAND EXPOSURE TO 260°C PEAK TEMPERATURE FOR 10 SECONDS IN A CONVECTION, INFRA-RED OR VAPOR PHASE REFLOW OVEN.
- ⑥ THIS PRODUCT MEETS EUROPEAN UNION DIRECTIVES AND OTHER COUNTRY REGULATIONS AS DESCRIBED IN GS-22-008.
- ⑦ PART NUMBERS ENDING IN "LF" MEANS FOR NOTE 6 LEAD FREE IDENTIFICATION. P/N XXXXXXXX-XXXLF IS EQUIVALENT TO PREVIOUS P/N XXXXXXXX-XXX.

mat'l. code		surface <input checked="" type="checkbox"/> ISO 1302		tolerance <input checked="" type="checkbox"/> ISO 406 ISO 1101		projection		product family SAS	
ltr	ecn no	dr	date		tolerances unless otherwise specified		title		
B					angles	linear	mm		SAS RECEPTACLE EXTENDED HEIGHT VERTICAL SMT TYPE ASSY
					± 2°		scale 2 : 1		
			dr	GL L00	2004-12-15				dwg no
			enr	GL L00	2004-12-15				sheet 2 of 2 size
			chr	GL L00	2006-10-20				10038334
			appd	JOEY NG	2006-10-20				A4
sheet index		revision sheet		1				type CUSTOMER Drawing	

PDM: Rev:B

STATUS: Released

Printed: Jul 10, 2009