

PLEASE CHECK WWW.MOLEX.COM FOR LATEST PART INFORMATION

Part Number: [0548612070](#)
Status: **Active**
Description: 2.00mm (.079") Pitch HIC/LCD Pin Connector, Vertical, SMT, 20 Circuits, Lead Free

Documents:

[3D Model](#) [Product Specification PS-54861-005 \(PDF\)](#)
[Drawing \(PDF\)](#) [RoHS Certificate of Compliance \(PDF\)](#)

General

Product Family Other Sockets
 Series [54861](#)
 Component Type Socket
 Product Name N/A

Physical

Circuits (Loaded) 20
 Color - Resin Natural
 Durability (mating cycles max) 10
 Entry Angle Vertical
 Keying to Mating Part N/A
 Material - Metal Phosphor Bronze
 Material - Plating Mating Tin
 Material - Plating Termination Tin
 PCB Locator Yes
 PCB Retention Yes
 Packaging Type Embossed Tape on Reel
 Pitch - Mating Interface (in) 0.079 In
 Pitch - Mating Interface (mm) 2.00 mm
 Temperature Range - Operating -40°C to +105°C
 Termination Interface: Style Surface Mount

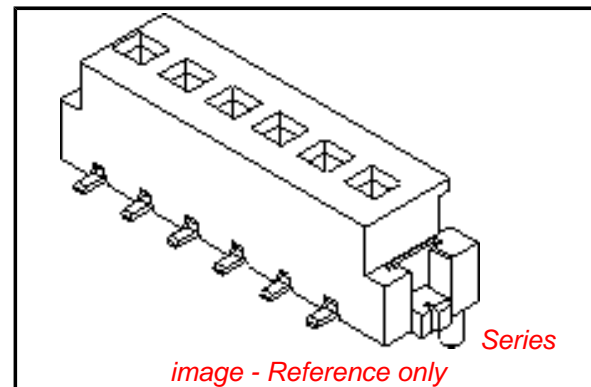
Electrical

Current - Maximum per Contact 1A
 Voltage - Maximum 125V AC (RMS)/DC

Material Info

Reference - Drawing Numbers

Product Specification PS-54861-005, RPS-54861-014
 Sales Drawing SD-54861-006, SD-54861-013



EU RoHS

**ELV and RoHS
 Compliant**
REACH SVHC
 Not Reviewed
**Halogen-Free
 Status**
Not Reviewed

China RoHS



**Need more information on product
 environmental compliance?**

Email productcompliance@molex.com
 For a multiple part number RoHS Certificate of
 Compliance, [click here](#)

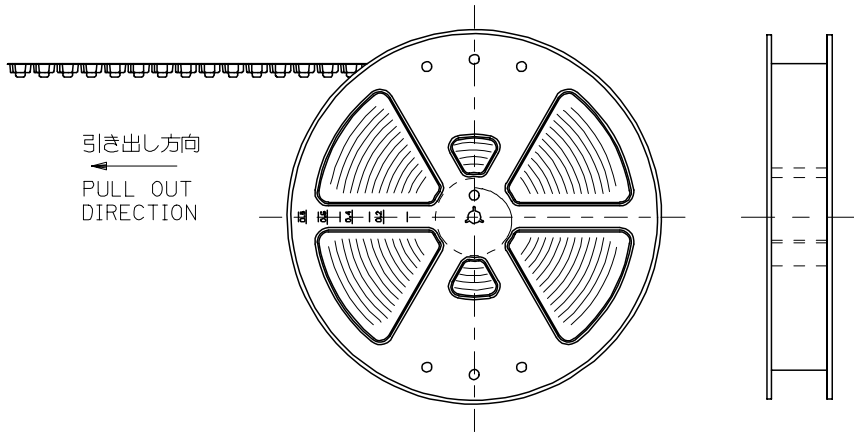
Please visit the [Contact Us](#) section for any
 non-product compliance questions.

Search Parts in this Series

[54861Series](#)

Mates With

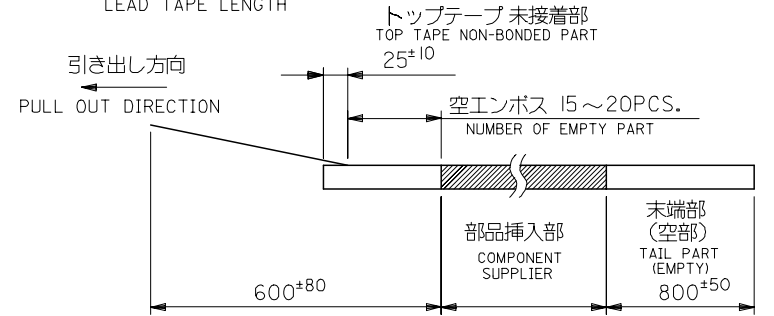
LCD Pin|HIC Pin



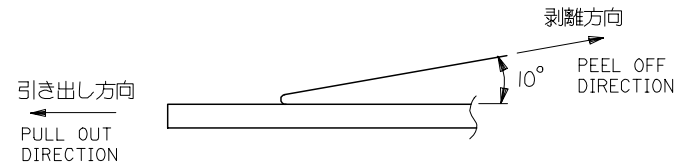
引き出し方向
PULL OUT
DIRECTION

注記
NOTES

1. 梱包数量：1000個/リール
NUMBER OF CONNECTORS : 1000PCS/REEL
2. リードテープ長さ
LEAD TAPE LENGTH



3. トップテープの剥離強度：60 ± 35gf(剥離方向は下図参照)
尚、本規格値は、出荷時に適用。(但し、輸送時に剥離が発生しないこと。)
PEELING OFF FORCE OF TOP TAPE : 60 ± 35gf.
(PEELING DIRECTION AS SHOWN IN FOLLOWING FIG.)
THIS REQUIREMENT SHOULD BE APPLIED AT SHIPMENT.
(PEELING OFF SHOULD NOT BE ALLOWED, DURING TRANSPORTATION.)



4. 材料 (MATERIAL)
キャリアテープ：ポリスチレン(PS)
CARRIER TAPE : POLYSTYRENE(PS)
トップテープ：PET, PE, PEF
TOP TAPE : PET, PE, PEF
リール：ポリスチレン
REEL : POLYSTYRENE

REVISED EC NO: J2007-2110 DRWNG:SHIBATA 2007/03/12 CHKD:TAITO 2007/03/12 APPR:KANESHIGE 2007/03/14 G	GENERAL TOLERANCES (UNLESS SPECIFIED)		DIMENSION STYLE MM ONLY		SCALE ---	DESIGN UNITS METRIC	THIRD ANGLE PROJECTION	
	10 UNDER	±0.2	DRAWN BY H. TAMURA	DATE 2000/10/04	TITLE 2.0 HIC/LCD CONN. EMBOSSSED TAPE PACKAGE			
	10 ⁰ OVER 30 UNDER	±0.25	CHECKED BY M. SAKANO	DATE 2000/10/04				
	30 ⁰ OVER	±0.3	APPROVED BY T. KODAMA	DATE 2000/10/04	MOLEX INCORPORATED			
	ANGULAR	±3 °	MATERIAL NO.	DOCUMENT NO.				
DRAFT WHERE APPLICABLE MUST REMAIN WITHIN DIMENSIONS		SEE CHART		SD-54861-006		1 OF 3		

10 9 8 7 6 5 4 3 2 1

F

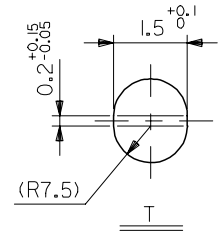
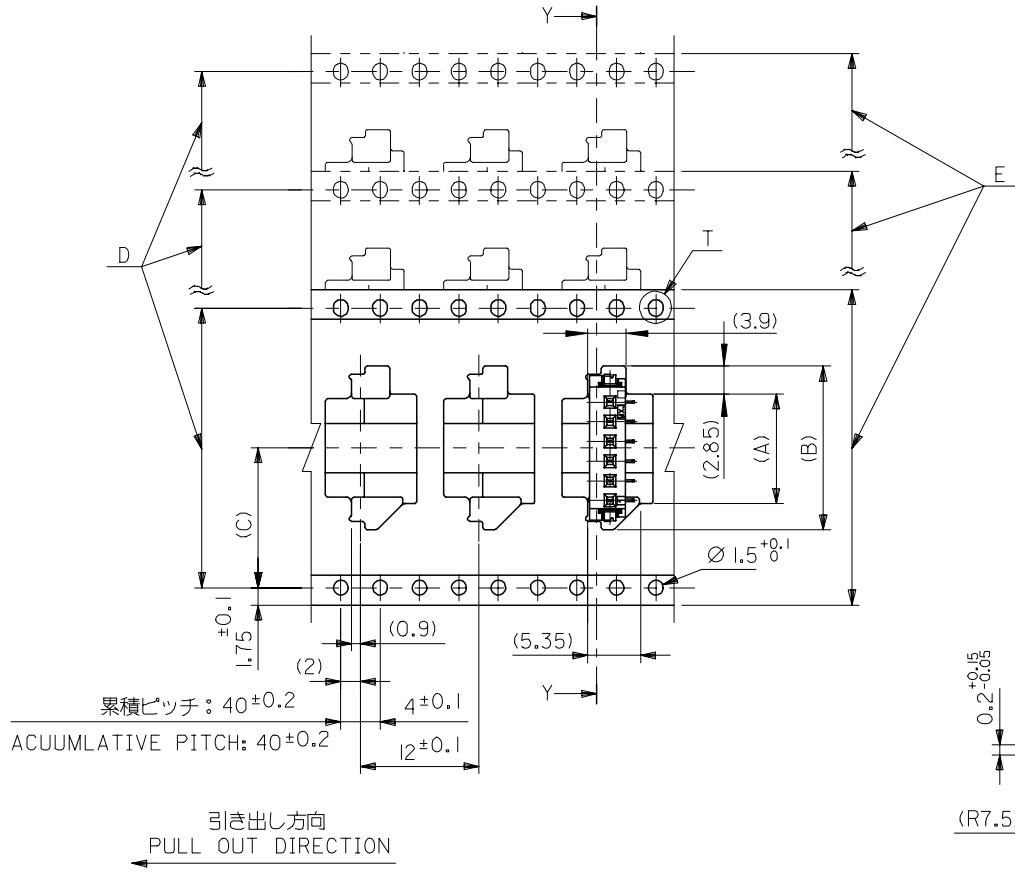
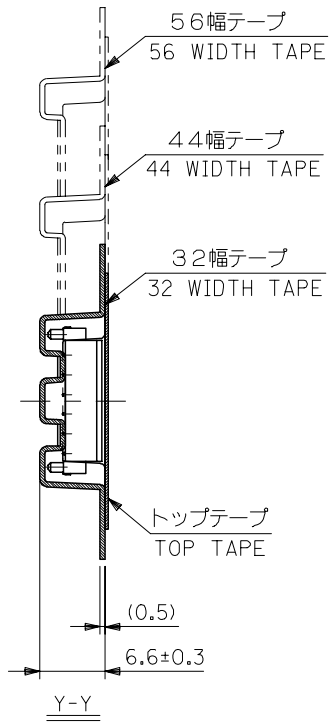
E

D

C

B

A



REVISED EC NO: J2007-2110 DRW: SHIBATA 2007/03/12 CHKD: TAITO 2007/03/12 APPR: KANESHIGE 2007/03/14	GENERAL TOLERANCES (UNLESS SPECIFIED)		DIMENSION STYLE MM ONLY		SCALE 2:1	DESIGN UNITS METRIC	THIRD ANGLE PROJECTION	
	10 UNDER	± 0.2	DRAWN BY H. TAMURA		TITLE 2.0 HIC/LCD CONN. EMBOSSSED TAPE PACKAGE			
	10 OVER 30 UNDER	± 0.25	DATE 2000/10/04		MOLEX INCORPORATED			
	30 OVER	± 0.3	CHECKED BY M. SAKANO					
	ANGULAR	± 3 °	DATE 2000/10/04		DOCUMENT NO. SD-54861-006		SHEET NO. 2 OF 3	
DRAFT WHERE APPLICABLE MUST REMAIN WITHIN DIMENSIONS		APPROVED BY T. KODAMA		MATERIAL NO.		SEE CHART		
SIZE A3		THIS DRAWING CONTAINS INFORMATION THAT IS PROPRIETARY TO MOLEX INCORPORATED AND SHOULD NOT BE USED WITHOUT WRITTEN PERMISSION						

10 9 8 7 6 5 4 3 2 1

F

E

D

C

B

A

無鉛 LEAD FREE	56.4	56	52.4	26.2	44.6	39.3	54861-2070	20	○
					42.6	37.3	54861-1970	19	○
					40.6	35.3	54861-1870	18	—
					38.6	33.3	54861-1770	17	○
					36.6	31.3	54861-1670	16	○
					34.6	29.3	54861-1570	15	○
	44.4	44	40.4	20.2	32.6	27.3	54861-1470	14	○
					30.6	25.3	54861-1370	13	—
					28.6	23.3	54861-1270	12	○
					26.6	21.3	54861-1170	11	—
					24.6	19.3	54861-1070	10	○
					22.6	17.3	54861-0970	09	—
	32.4	32	28.4	14.2	20.6	15.3	54861-0870	08	○
					18.6	13.3	54861-0770	07	—
					16.6	11.3	54861-0670	06	○
有鉛 LEADED	56.4	56	52.4	26.2	44.6	39.3	54861-2090	20	○
					42.6	37.3	54861-1990	19	—
					40.6	35.3	54861-1890	18	—
					38.6	33.3	54861-1790	17	—
					36.6	31.3	54861-1690	16	○
					34.6	29.3	54861-1590	15	—
	44.4	44	40.4	20.2	32.6	27.3	54861-1490	14	—
					30.6	25.3	54861-1390	13	—
					28.6	23.3	54861-1290	12	○
					26.6	21.3	54861-1190	11	—
					24.6	19.3	54861-1090	10	○
					22.6	17.3	54861-0990	09	—
	32.4	32	28.4	14.2	20.6	15.3	54861-0890	08	○
					18.6	13.3	54861-0790	07	—
					16.6	11.3	54861-0690	06	○
F	E キャリアテープ幅 CARRIER TAPE WIDTH		D	(C)	(B)	(A)	製品番号 MATERIAL NO.	極数 CIRCUITS	量産対応 AVAILABLE

REVISED EC NO: J2007-2110 DRW: SHIBATA 2007/03/12 CHKD: TAITO 2007/03/12 APPR: KANEHIGE 2007/03/14 REV G	GENERAL TOLERANCES (UNLESS SPECIFIED)		DIMENSION STYLE MM ONLY		SCALE ---	DESIGN UNITS METRIC	THIRD ANGLE PROJECTION	
	10 UNDER	± 0.2	DRAWN BY H. TAMURA		DATE 2000/10/04	TITLE 2.0 HIC/LCD CONN. EMBOSSSED TAPE PACKAGE		
	10 OVER 30 UNDER	± 0.25	CHECKED BY M. SAKANO		DATE 2000/10/04	MOLEX INCORPORATED		
	30 OVER	± 0.3	APPROVED BY T. KODAMA		DATE 2000/10/04	DOCUMENT NO. SD-54861-006		
	ANGULAR	± 3 °	MATERIAL NO.		SEE CHART		SHEET NO. 3 OF 3	
DRAFT WHERE APPLICABLE MUST REMAIN WITHIN DIMENSIONS			SIZE A3	THIS DRAWING CONTAINS INFORMATION THAT IS PROPRIETARY TO MOLEX INCORPORATED AND SHOULD NOT BE USED WITHOUT WRITTEN PERMISSION				

9

8

7

6

5

4

3

2

