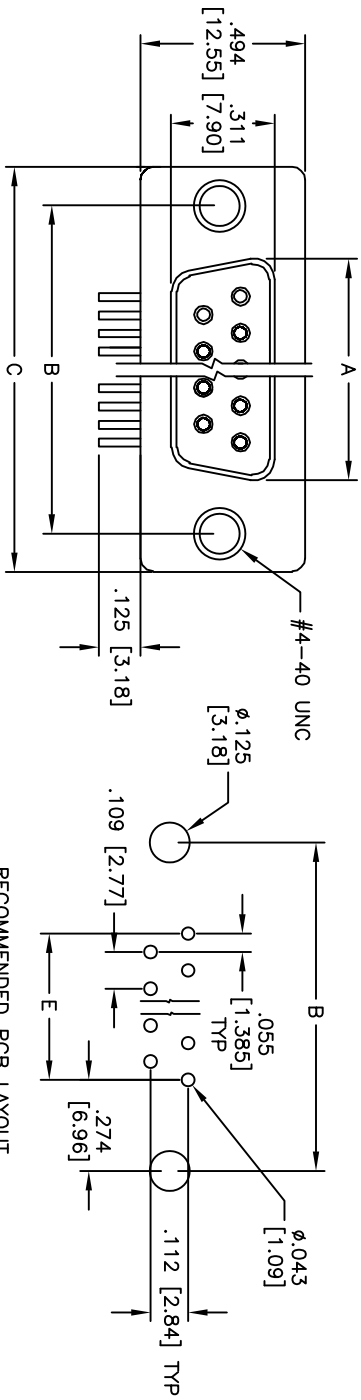
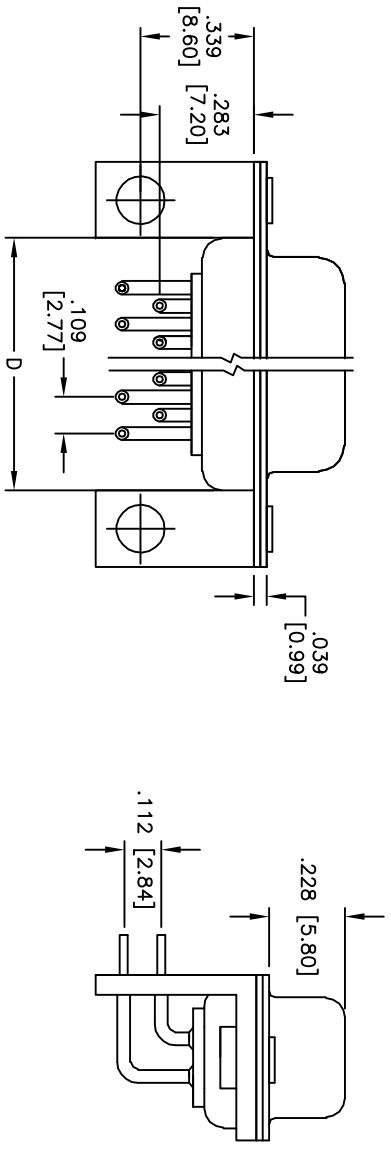


Rev	AWO #	Description	Date	Appr
-		RELEASED	2/24/11	

APPROVED: \_\_\_\_\_  
 DATE: \_\_\_\_\_ TITLE: \_\_\_\_\_



RECOMMENDED PCB LAYOUT



DXXX	NO. OF CONTACTS	DIMENSIONS				
		A	B	C	D	E
DE09	9	.643 [16.33]	.984 [24.99]	1.213 [30.81]	.759 [19.28]	.436 [11.08]
DA15	15	.971 [24.66]	1.312 [33.32]	1.541 [39.14]	1.083 [27.51]	.763 [19.39]
DB25	25	1.511 [38.38]	1.852 [47.04]	2.088 [53.04]	1.625 [41.28]	1.309 [33.24]
DC37	37	2.159 [54.84]	2.500 [63.50]	2.729 [69.32]	2.272 [57.71]	1.963 [49.86]

# ADAM TECH

909 Rahway Avenue, Union, NJ 07083  
 Phone: 908-687-5000 Fax: 908-687-5710

TITLE: .283 [7.20] FOOTPRINT R/A D-SUB SOCKET  
 METAL BRACKETS W/4-40 THREADED INSERTS

DRAWN: DY DATE: 2/24/11  
 CHECKED: \_\_\_\_\_  
 APPROVED: \_\_\_\_\_  
 SIZE: X PART NO.: DXXX-SH-C3AM  
 REF: S00019T SCALE: NTS SHEET 1 OF 1

SPECIFICATIONS:  
 Material: PBT, glass reinforced, rated UL 94V-0  
 Insulator color: Black  
 Contacts: Brass  
 Shell: Steel, Tin plated  
 Hardware: Brass, Nickel plated  
 Plating: Gold flash over Nickel underplate overall  
 Electrical:  
 Contact resistance: 10 mohms max  
 Insulation resistance: 5,000 Mohms min  
 Dielectric withstanding voltage: 1,000 VAC for 1 minute  
 Temperature Rating: Operating temperature: -55°C to +125°C  
 Environmental:  
 Lead free, RoHS compliant  
 Recommended soldering temp: 235°C for 5 seconds

