

Model EN08

8 mm Rotary Encoder

2 Bits Gray Code

Incremental/Contacting Type

Metal Bushing/Shaft

Shaft Seal Option

S.P.S.T. Momentary Switch Option

Dual Encoders with Concentric Shaft

RoHS Compliant



MODEL STYLES

Side Adjust, Single Encoder	EN08-N
Side Adjust, Single Encoder, with Momentary Switch	EN08-S
Side Adjust, Dual Encoders, Concentric shaft	EN08-C

ELECTRICAL¹

Pulses (Per Revolution)	10
Encoder Closed Circuit Resistance	3.0 Ohms, max.
Encoder Contact Rating	1.0mA/ 5Vdc
Operating Current, Maximum	1.0mA
Dielectric Strength	200Vac, 1 minute
Insulation Resistance, Minimum	100M Ohms
Sliding Noise (at 60 RPM)	5 ms max.
Contact Bounce (at 15 RPM)	10 ms max.
Operating Speed (RPM), Maximum	30 RPM
Switch Power rating	10mA/ 5Vdc
Switch Contact Resistance	100 milliohms
Actual Electrical Travel, Nominal	Continuous

MECHANICAL

Total Mechanical Travel	Continuous
Detents (per Revolution)	0, 20
Rotational Torque of Detent, Maximum	1.0 oz-in
Switch Operating Force, Maximum	850 gf
Switch Travel, Maximum	0.5mm

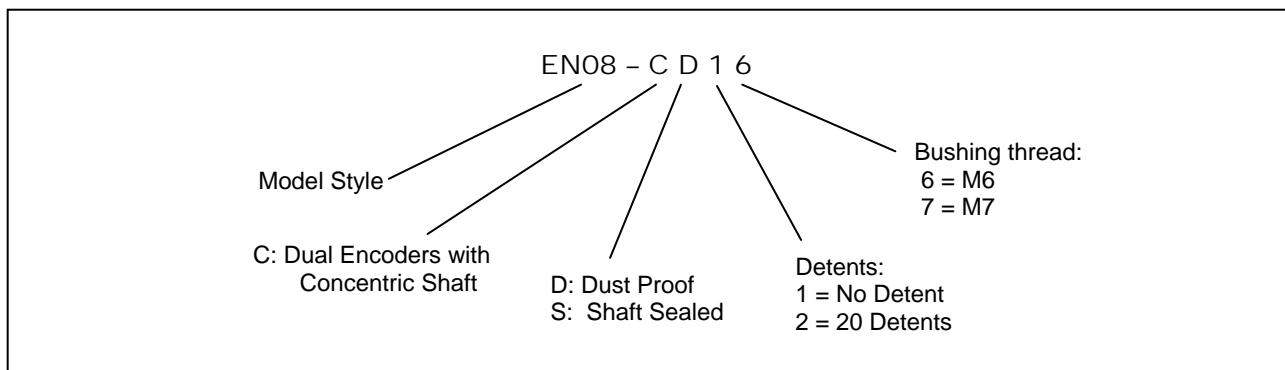
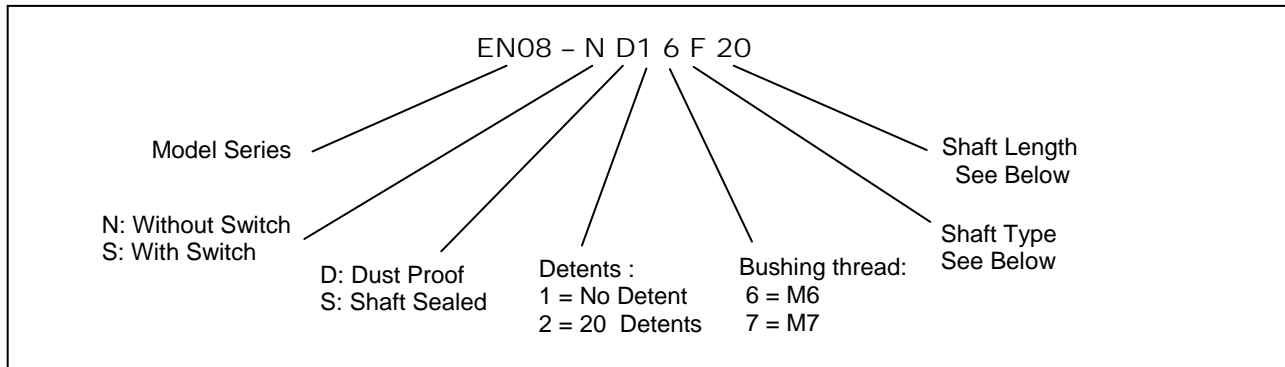
ENVIRONMENTAL

Operating Temperature Range	-30°C to +70°C
Operation Life	Switch: 15,000 actuations, Encoder : 50,000 cycles

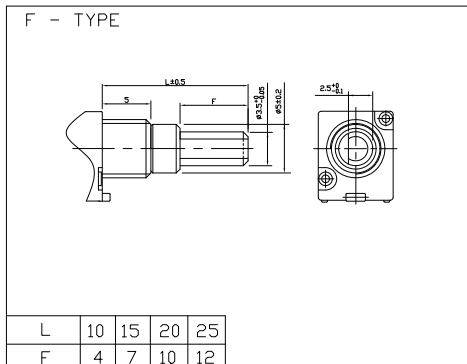
¹ Specifications subject to change without notice.

Model EN08

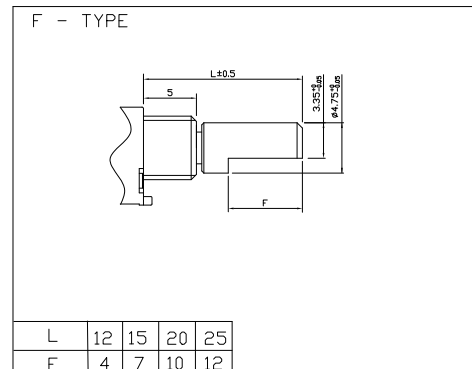
ORDERING INFORMATION²



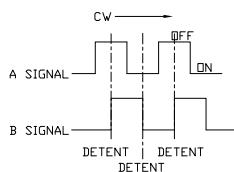
Shaft Type for P08x-N



Shaft Type for P08x-S



CIRCUIT DIAGRAM

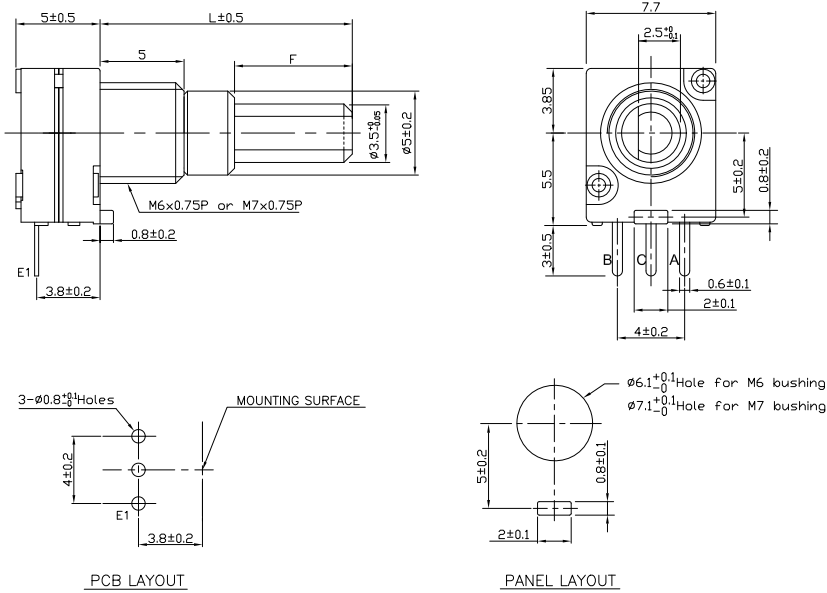


² Contact our customer service for custom designs and features.

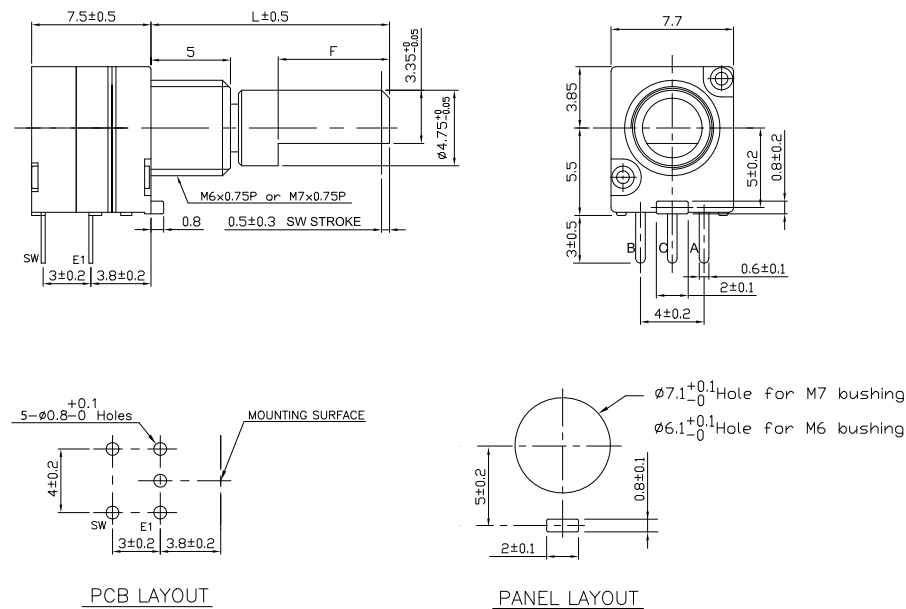
Model EN08

OUTLINE DRAWING

EN08-N (Single Encoder)



EN08-S (Single Encoder, with Momentary Switch)



Model EN08

EN08-C (Dual Encoders, Concentric shaft)

