

PLEASE CHECK WWW.MOLEX.COM FOR LATEST PART INFORMATION

Part Number: [0945529008](#)
Status: **Active**
Overview: [mox crimp terminals](#)
Description: Housing B USCAR, Receptacle for Mox Terminal 0.64 mm, 8 Circuits

Documents:

[Packaging Specification \(PDF\)](#) [RoHS Certificate of Compliance \(PDF\)](#)
[Drawing \(PDF\)](#)

General

Product Family	Crimp Housings
Series	94552
Overview	mox crimp terminals
Product Name	USCAR

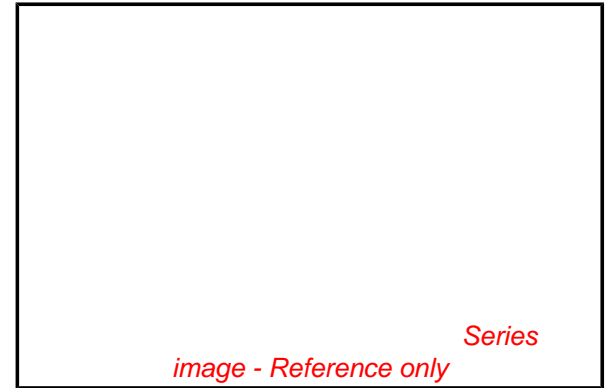
Physical

Circuits (maximum)	8
Color - Resin	Black
Gender	Female
Glow-Wire Compliant	No
Material - Resin	Polyester
Number of Rows	2
Packaging Type	Bag
Panel Mount	No
Pitch - Mating Interface (in)	0.100 In
Pitch - Mating Interface (mm)	2.54 mm
Temperature Range - Operating	-40°C to +85°C

Material Info

Reference - Drawing Numbers

Application Specification	AS-94552-001
Packaging Specification	PK-94552-001
Product Specification	RPS-94552-002
Sales Drawing	SD-94552-001



EU RoHS

**ELV and RoHS
Compliant**
**REACH SVHC
Contains SVHC: No
Halogen-Free
Status**

China RoHS



**Need more information on product
environmental compliance?**

Email productcompliance@molex.com
 For a multiple part number RoHS Certificate of
 Compliance, [click here](#)

Please visit the [Contact Us](#) section for any
 non-product compliance questions.

Search Parts in this Series

[94552Series](#)

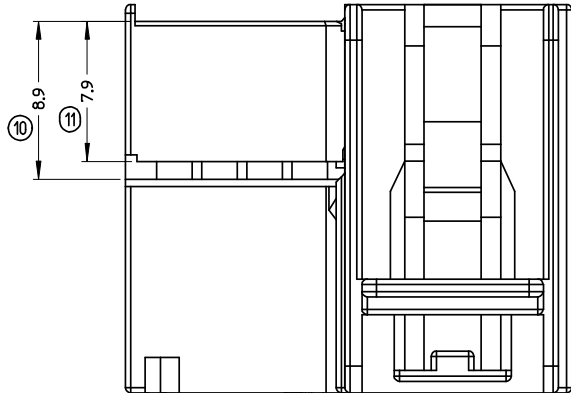
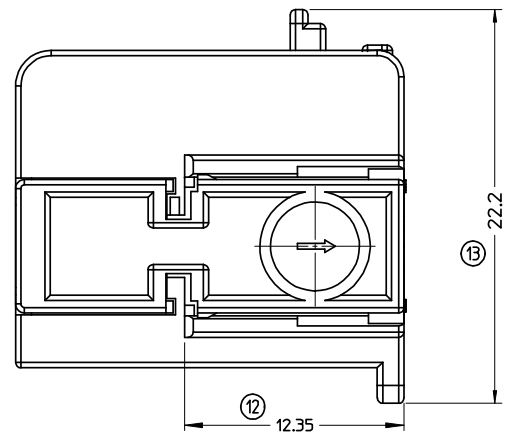
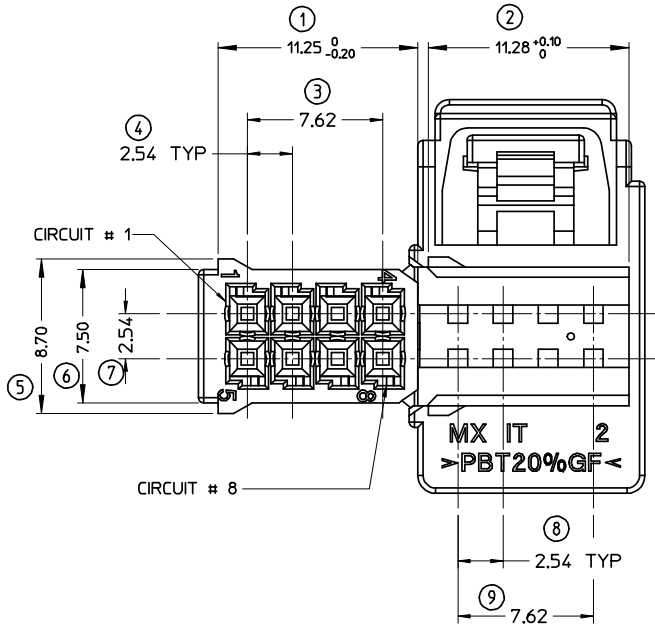
Mates With

[31341-2641](#)

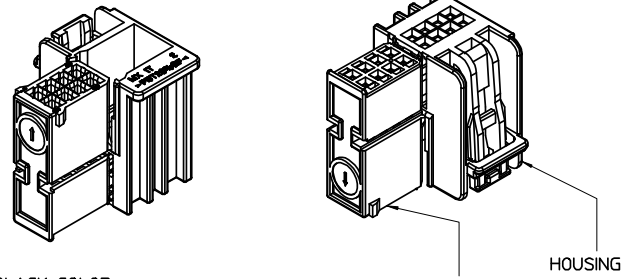
Use With

[98658-xxxx](#) Terminals

PLEASE CHECK WWW.MOLEX.COM FOR LATEST PART INFORMATION



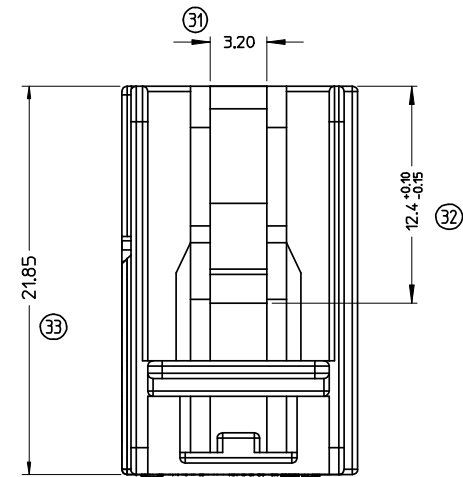
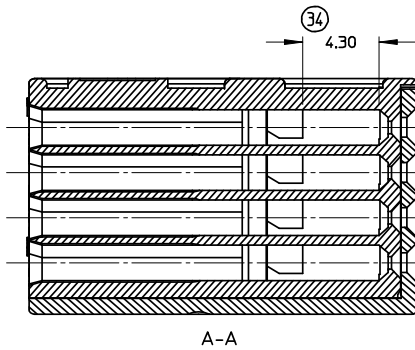
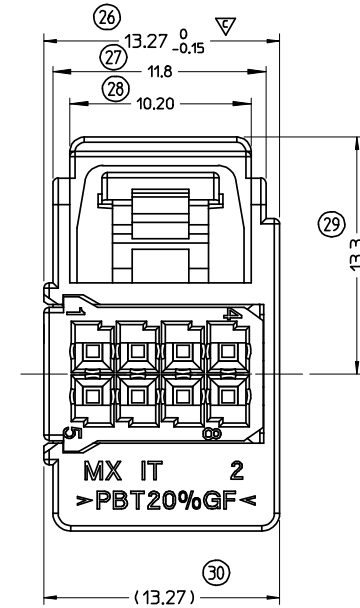
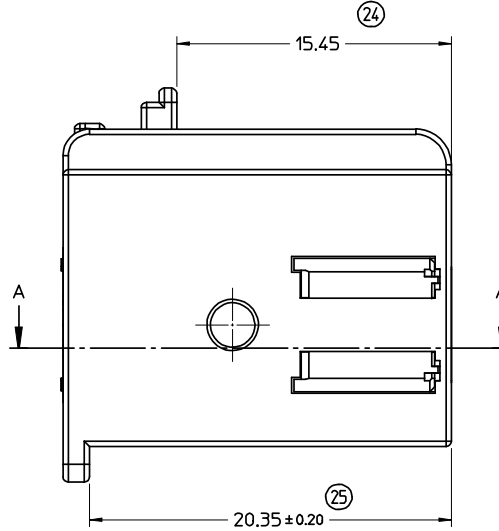
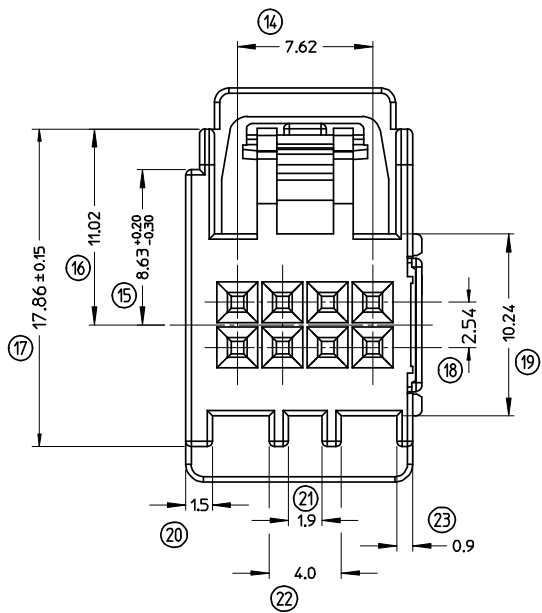
DELIVERY CONFIGURATION



- 1) MATERIAL: GLASS FILLED PBT, BLACK COLOR
- 2) USED WITH 98658 SERIES TERMINALS
- 3) MATES WITH 31341-2641 SERIES USCAR HEADERS
- 4) PACKAGING: IN CARTON BOXES (SEE DRAWING PK-94552-001 FOR DETAILS)
- 5) SPQ: 15840 pcs
- 6) IN THE EVENT OF PARTIAL OR TOTAL SEPARATION, PARTS DO NOT LOOSE THEIR FUNCTIONALITY

STD. DESCR.: RECEPTACLE FOR MOX TERM, 8 CKT

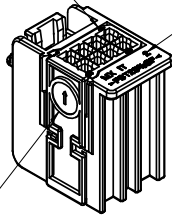
EC NO: Z2008-0179 DRWN: SBARBIER 2008/04/24 CHKD: LSANTESO 2008/04/22 APPR: FBISELLO 2008/04/30	DESCRIPTION REV	QUALITY SYMBOLS	GENERAL TOLERANCES (UNLESS SPECIFIED)	SCALE 5:1	DESIGN UNITS METRIC	FIRST ANGLE PROJECTION	REVISE ON CAD ONLY																
		$\nabla - 0$ $\nabla \angle 0$	<table border="1"> <thead> <tr> <th></th> <th>mm</th> <th>INCH</th> </tr> </thead> <tbody> <tr> <td>4 PLACES</td> <td>± 0.25</td> <td>± 0.010</td> </tr> <tr> <td>3 PLACES</td> <td>± 0.25</td> <td>± 0.010</td> </tr> <tr> <td>2 PLACES</td> <td>± 0.13</td> <td>± 0.005</td> </tr> <tr> <td>1 PLACE</td> <td>± 0.25</td> <td>± 0.010</td> </tr> </tbody> </table>		mm	INCH	4 PLACES	± 0.25	± 0.010	3 PLACES	± 0.25	± 0.010	2 PLACES	± 0.13	± 0.005	1 PLACE	± 0.25	± 0.010	DIMENSION STYLE MM ONLY	DRAWN BY SBARBIER DATE 2007/04/11	TITLE 8 CKT POL. B USCAR 0.64MM RECEPTACLE FOR 98658 SERIES TERMINAL		
			mm	INCH																			
		4 PLACES	± 0.25	± 0.010																			
3 PLACES	± 0.25	± 0.010																					
2 PLACES	± 0.13	± 0.005																					
1 PLACE	± 0.25	± 0.010																					
DRAFT WHERE APPLICABLE MUST REMAIN WITHIN DIMENSIONS	CHECKED BY LSANTESO DATE 2007/04/11	MOLEX MOLEX INCORPORATED																					
A1	REV	APPROVED BY FBISELLO DATE 2007/04/11		MATERIAL NO. 94552-9008 DOCUMENT NO. SD-94552-001	SHEET NO. 1 OF 2	THIS DRAWING CONTAINS INFORMATION THAT IS PROPRIETARY TO MOLEX INCORPORATED AND SHOULD NOT BE USED WITHOUT WRITTEN PERMISSION																	



CIRCUIT # MARKING
0.1mm ABOVE SURFACE

MOLEX LOGO,
CAVITY NUMBER,
MATERIAL DESIGNATION
0.1mm BELOW SURFACE

DATE INDICATOR



EC NO: Z2008-0179 DRWN: SBARBIER 2008/04/121 CHKD: LSANTESSO 2008/04/22 APPR: FBISELLO 2008/04/30	QUALITY SYMBOLS	GENERAL TOLERANCES (UNLESS SPECIFIED)	SCALE 5:1	DESIGN UNITS METRIC	FIRST ANGLE PROJECTION	REVISE ON CAD ONLY
	▽ - 0	4 PLACES ± --- ± ---	DIMENSION STYLE MM ONLY		TITLE	
	▽ - 1	3 PLACES ± --- ± ---	DRAWN BY SBARBIER DATE 2007/04/11		8 CKT POL. B USCAR 0.64MM RECEPTACLE FOR 98658 SERIES TERMINAL	
		2 PLACES ± 0.13 ± ---	CHECKED BY LSANTESSO DATE 2007/04/11		MATERIAL NO. SD-94552-001	
	1 PLACE ± 0.25 ± ---	ANGULAR ± 3°	APPROVED BY FBISELLO DATE 2007/04/11		DOCUMENT NO. SD-94552-001	
		DRAFT WHERE APPLICABLE	THIS DRAWING CONTAINS INFORMATION THAT IS PROPRIETARY TO MOLEX INCORPORATED AND SHOULD NOT BE USED WITHOUT WRITTEN PERMISSION		SHEET NO. 2 OF 2	
		MUST REMAIN WITHIN DIMENSIONS			A2	