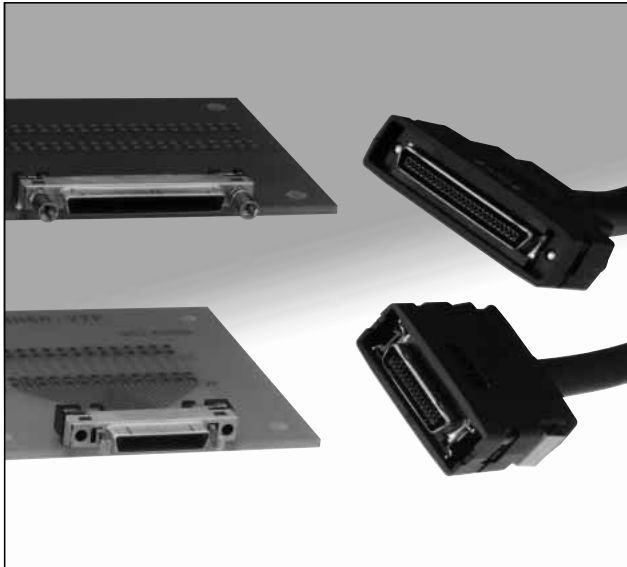


# High speed transmission, 1mm pitch Small Interface Connector

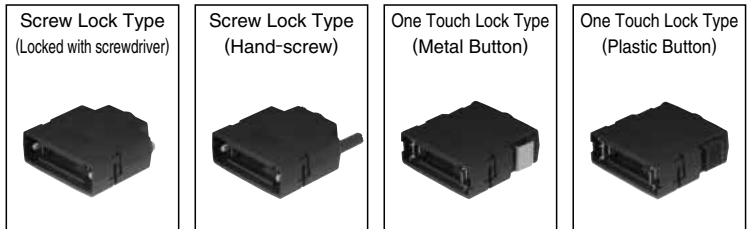
## DH Series



### Overview

DH Series is an impedance controlled interface connector for high speed transmission.

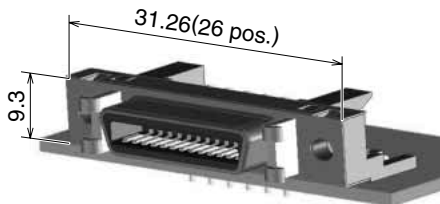
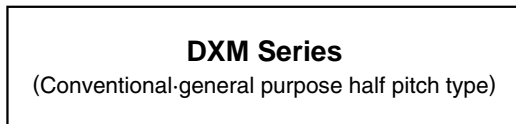
1mm contact mating pitch together with a 0.5mm mounting pitch yields a more compact, lower profile, higher density alternate to conventional half pitch interface connectors. 4 different lock styles are available to meet various applications.



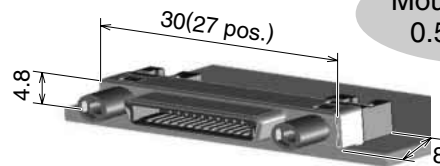
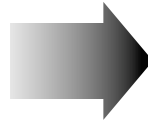
### Features

#### 1. Small Design

Mating face area  
Approx 50% reduced

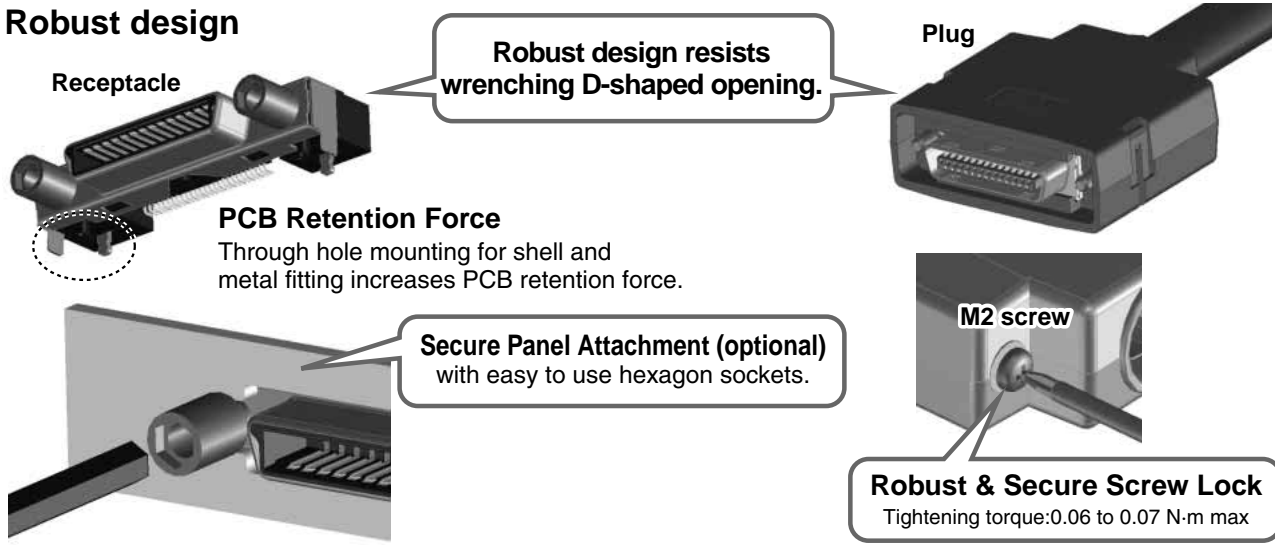


Mating pitch: 1.27mm



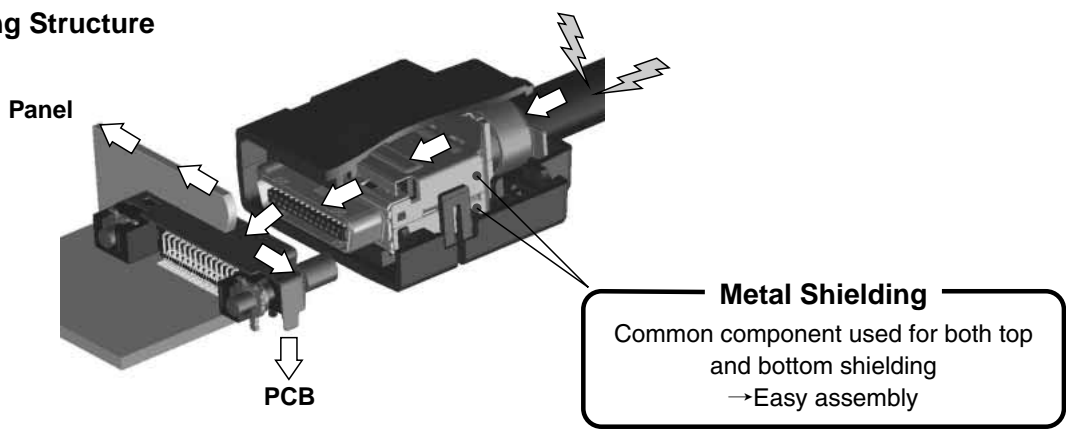
Mating pitch: 1.0mm

#### 2. Robust design



### 3. Excellent Shielding for EMI Privention

#### ◆ Grounding Structure



### 4. Wide variation

There are various variations corresponding to the usage.

#### ● Lock variation

| Lock type      | Cover case  | receptacle |                                |                   |           |
|----------------|---|------------|--------------------------------|-------------------|-----------|
| Item           | Specification / Part number                                     | Item       | Part number                    |                   |           |
| Screw lock     | Screwdriver type<br>DH-**-CV1B<br>Hand-screw type<br>DH-**-CV2B | Connector  | DH60-**P / DH80-**P            |                   |           |
|                |   | Panel lock | Applicable panel thickness(mm) | Number of washers | Part No.  |
|                |   |            | 1.4 to 1.6                     | 0                 | DH-LNA    |
|                |   |            | 0.9 to 1.2                     | 1(t=0.4)          | DH-LNA-W4 |
| 0.5 to 0.8mm   | 1(t=0.6)  |            | DH-LNA-W8                      |                   |           |
| No panel       | 1(t=0.8)  | DH-LNA-W16 |                                |                   |           |
| One touch lock | Metal button<br>DH-**-CT1B<br>Plastic button<br>DH-**-CT2B      | Connector  | DH60A-**P / DH80A-**P          |                   |           |

\*Screw lock type and One touch lock type does not mate together.

#### ● Common part

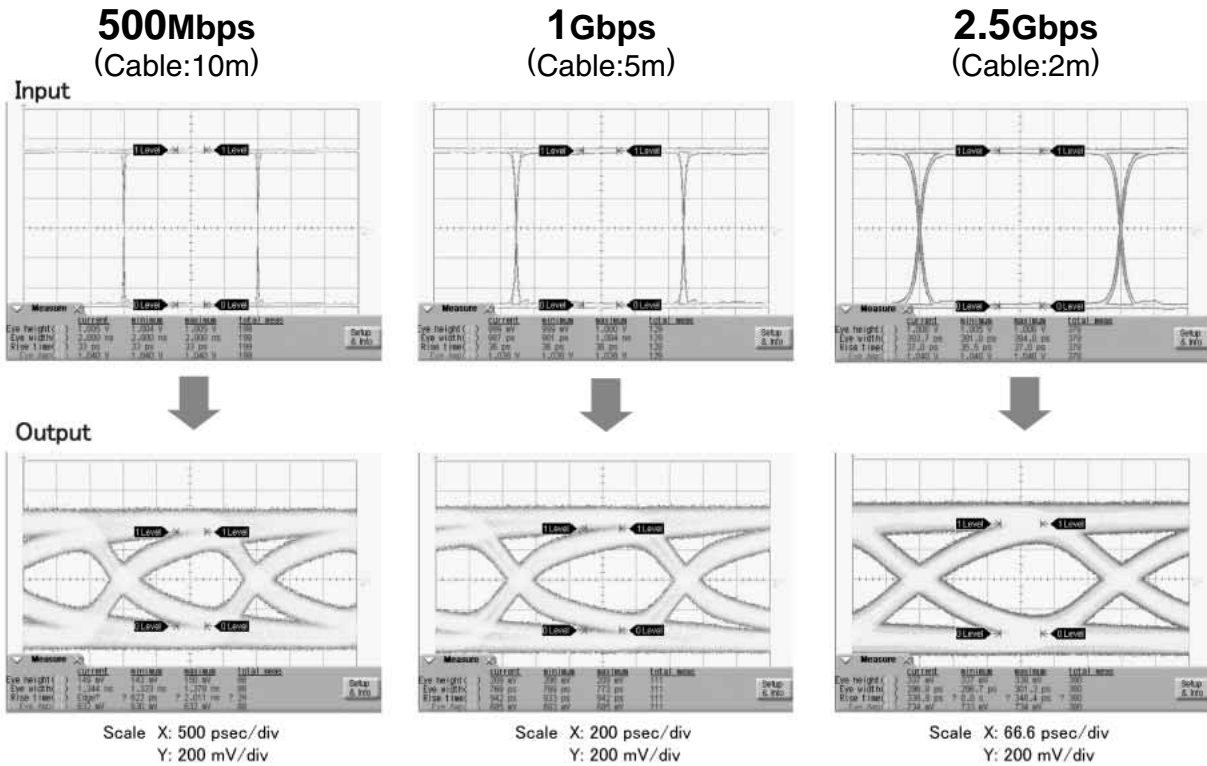
| Lock type      | Plug   |              |              |           | No. of pos. | Clamp metal<br>Part No.          |
|----------------|--|--------------|--------------|-----------|-------------|----------------------------------|
|                | Connector<br>Specification / Part number   |              |              |           |             |                                  |
| Screw lock     | IDC type   |              |              |           | 17          | DH-17-CMB(6.3)                   |
|                | Cable spec.  | Outer dia.   | Construction | Part No.  | 27          | DH-27-CMB(6.9)<br>DH-27-CMB(7.3) |
|                | Twinax cable   | 0.88 to 0.92 | 7/0.127      | DH30B-**S |             |                                  |
|                | Twisted pair cable   | 0.64 to 0.68 | (AWG#28)     | DH32B-**S |             |                                  |
| One touch lock | solder type<br>DH40-**S<br>(Developing Pin-variation of the above item is under planning.)<br>Please consult HRS sales.) |              |              |           | 37          | DH-37-CMB(8.8)                   |
|                |  |              |              |           | 51          | DH-51-CMB(9.6)                   |

\*The figure in ( ) clamp part number is equal to the cable's outer diameter.

### 5. High Speed Data Transmission

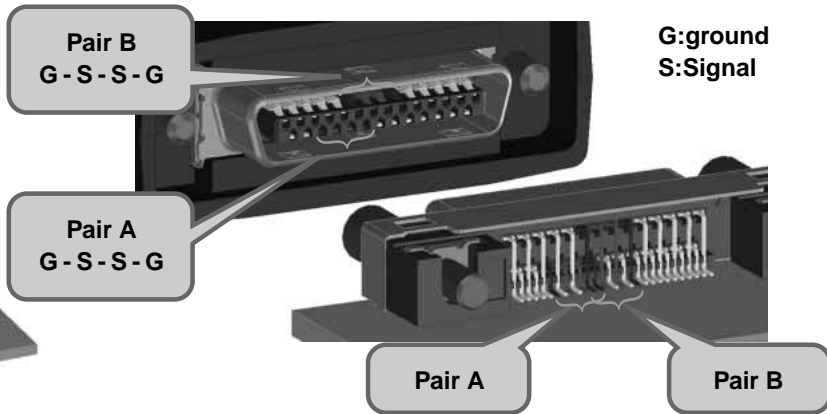
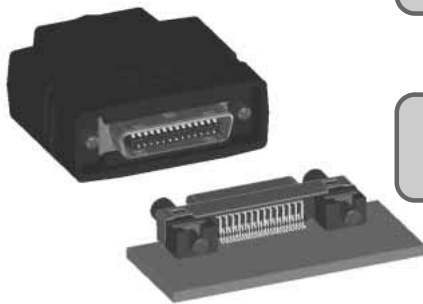
This data is for reference only. The data can differ due to cable or PCB used in evaluation.

#### Eye Diagram [CH1-CH2]



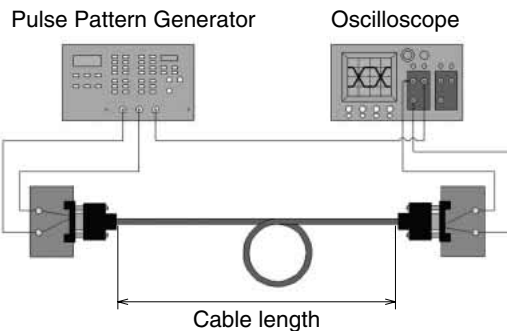
#### Measurement Condition

##### ◆ Pin Assignment



##### ◆ Measurement Condition

- Measurement Pair:Deferential Pair A
- Cable:Twinax cable
- Input signal voltage:500mV



## Specifications

| Ratings                            | Current rating  | 0.5A      |          |           |           | Operating temperature range   | -25°C to +85°C |
|------------------------------------|---|-----------|----------|-----------|-----------|---|----------------|
|                                    | Voltage rating  | 125 V AC  |          |           |           | Storage temperature range   | -25°C to +60°C |
| Item                               | Specification   |           |          |           |           | Conditions  |                |
| 1.Contact resistance               | ① 50mΩ max.(signal)   |           |          |           |           | 100mA(DC or 1,000Hz)  |                |
| 2.Insulation resistance            | 1000MΩ min.   |           |          |           |           | 100 V DC  |                |
| 3.Withstanding voltage             | No flashover or insulation breakdown  |           |          |           |           | 250 V AC/1minute  |                |
| 4.Insertion and with drawal forces |   | 17pos.    | 27pos.   | 37pos.    | 51pos.    | Measured by applicable connector.   |                |
|                                    | Insertion f.  | 25N max.  | 30N max. | 36N max.  | 43N max.  |   |                |
|                                    | with drawal f.  | 2.6N min. | 3N min.  | 3.3N min. | 3.8N min. |   |                |
| 5.Durability                       | ① Contact resistance:70mΩ max.<br>② No damage, cracks or parts dislocation.                   |           |          |           |           | 1000 cycles   |                |
| 6.Vibration                        | ① No electrical discontinuity of 10μs or longer.<br>② No damage, cracks or parts dislocation. |           |          |           |           | Frequency:10 to 50Hz, single amplitude of 0.75mm, 5min/cycle, total 10 cycles.                                |                |
| 7.Shock                            |   |           |          |           |           | Acceleration of 490m/s <sup>2</sup> , 11ms duration, sine half-wave waveform, 3 cycles in each of the 3 axis. |                |
| 8.Temperature cycle                | ① Contact resistance:70mΩ max.<br>② No damage, cracks or parts dislocation.                   |           |          |           |           | Temperature: -55°C→+5°C to +35°C→+85°C→+5°C to+35°C<br>Time:30→5→30→5(Minutes) 5cycles                        |                |
| 9.Humidity (Steady state)          | ① Insulation resistance:100MΩmin.<br>② No damage, cracks or parts dislocation.                |           |          |           |           | 96 hours at 40°C And RH 90% to 95%.   |                |
| 10.Salt spray test                 | ① Contact resistance:100mΩ max.   |           |          |           |           | 5% salt water solution for 48 hours.  |                |

① Excludes wire conductor resistance. \*Unless otherwise specified, refer to JIS C 5402

② Information contained in this catalog represents general requirements for this Series. Contact us for the drawings and specifications for a specific part number shown.

## Materials

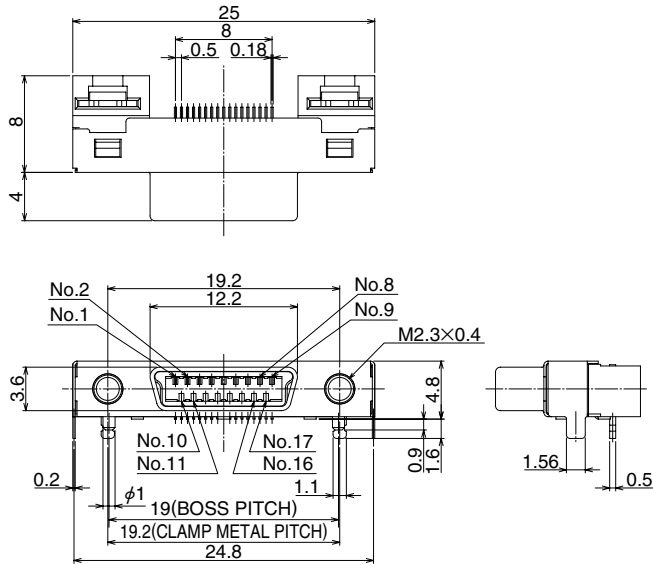
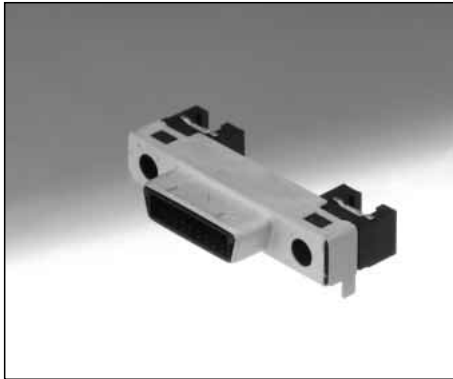
| Products  | Components           | Material            | Finish                | Remarks |
|---|----------------------|---------------------|-----------------------|---------|
| Screw lock type receptacle connector<br>(DH60-***P / DH80-***P)       | Insulator            | Polyamide resin     | Black                 | UL94V-0 |
|   | Contacts             | Copper alloy        | Selective gold plated | —       |
|   | Shell                | Stainless steel     | Tin plated            | —       |
|   | Metal fitting        | Stainless steel     | Selective Tin plated  | —       |
| One Touch Lock Type Receptacle connector<br>(DH60A-***P / DH80A-***P) | Insulator            | Polyamide resin     | Black                 | UL94V-0 |
|   | Contacts             | Copper alloy        | selective gold plated | —       |
|   | Shell                | Stainless steel     | Tin plated            | —       |
|   | Metal fitting        | Brass               | Tin plated            | —       |
| Plug connector<br>(DH3*B-***S)  | Metal grounding post | Steel               | Nickel plated         | —       |
|   | Insulator            | Polyamide resin     | Black                 | UL94V-0 |
|   | Contacts             | Copper alloy        | Selective gold plated | —       |
|   | Rear insert          | PBT resin           | Black,Natural         | UL94V-0 |
| Screw lock type cover case<br>(DH-**-CV1B)                            | Shell                | Stainless steel     | Nickel plated         | —       |
|   | Cover                | Polycarbonate resin | Black                 | UL94V-0 |
|   | Shield               | Stainless steel     | Nickel plated         | —       |
|   | Screw lock           | Steel               | Nickel plated         | —       |
| Lock type cover case<br>(DH-**-CV2B)                                  | Tapping screw        | Steel               | Black chromate(Cr+3)  | —       |
|   | Cover                | Polycarbonate resin | Black                 | UL94V-0 |
|   | Shield               | Stainless steel     | Nickel plated         | —       |
|   | Screw lock           | Steel               | Nickel plated         | —       |
| One Touch Lock Type metal button cover case<br>(DH-**-CT1B)           | Screw insulator      | Polyamide resin     | Black                 | UL94V-0 |
|   | Tapping screw        | Steel               | Black chromate(Cr+3)  | —       |
|   | Cover                | Polycarbonate resin | Black                 | UL94V-0 |
|   | Shield               | Stainless steel     | Nickel plated         | —       |
| One Touch Lock Type plastic button cover case<br>(DH-**-CT2B)         | Lock spring          | Stainless steel     | —                     | —       |
|   | Button               | Polycarbonate resin | Black                 | UL94V-0 |
|   | Tapping screw        | Steel               | Black chromate(Cr+3)  | —       |
|   | Cover                | Polycarbonate resin | Black                 | UL94V-0 |
| Lock screw<br>(DH-LNA***)   | Shield               | Stainless steel     | Nickel plated         | —       |
|   | Lock spring          | Stainless steel     | —                     | —       |
|   | Button               | Polycarbonate resin | Black                 | UL94V-0 |
| Metal clamp(DH-CMB(**))   | Tapping screw        | Steel               | Black chromate(Cr+3)  | —       |
|   | Screw lock           | Steel               | Nickel plated         | —       |
|   | Waher                | Steel               | Nickel plated         | —       |
|   | Spring washer        | Steel               | Nickel plated         | —       |
|   | Metal clamp          | Brass               | —                     | —       |

**Screw lock type**

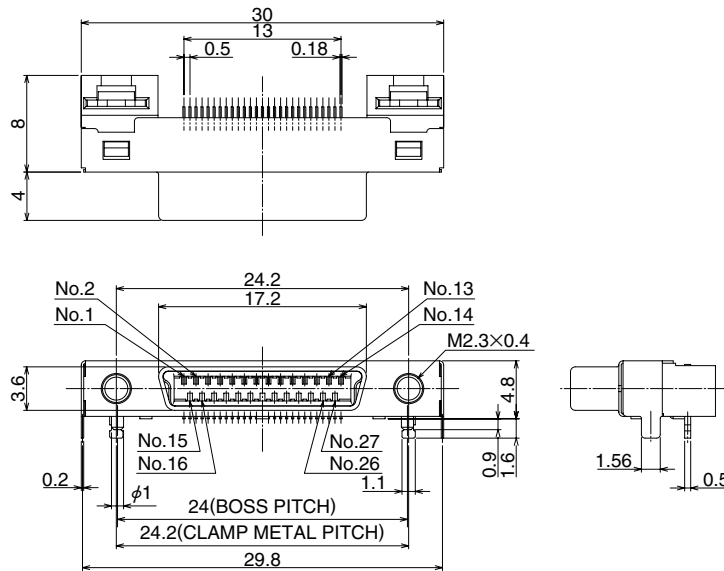
■ **Receptacle connector**

● **Right angle type**

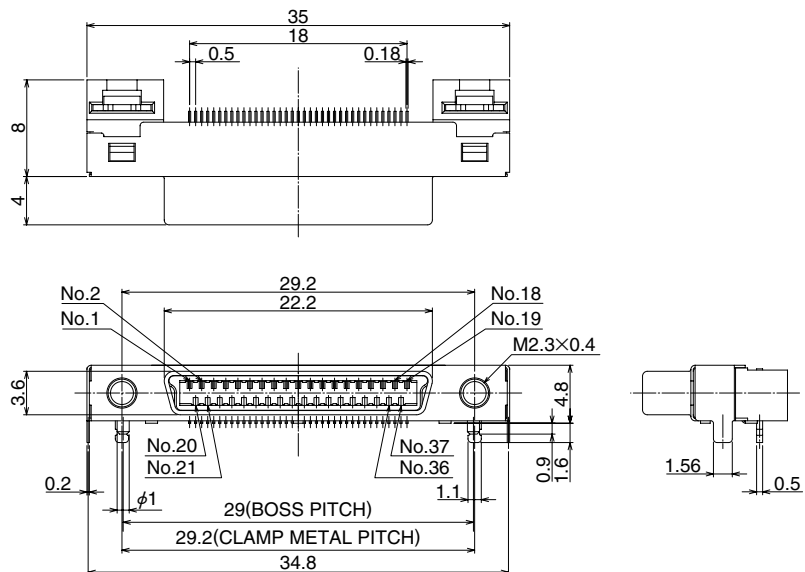
[17pos. DH60-17P]



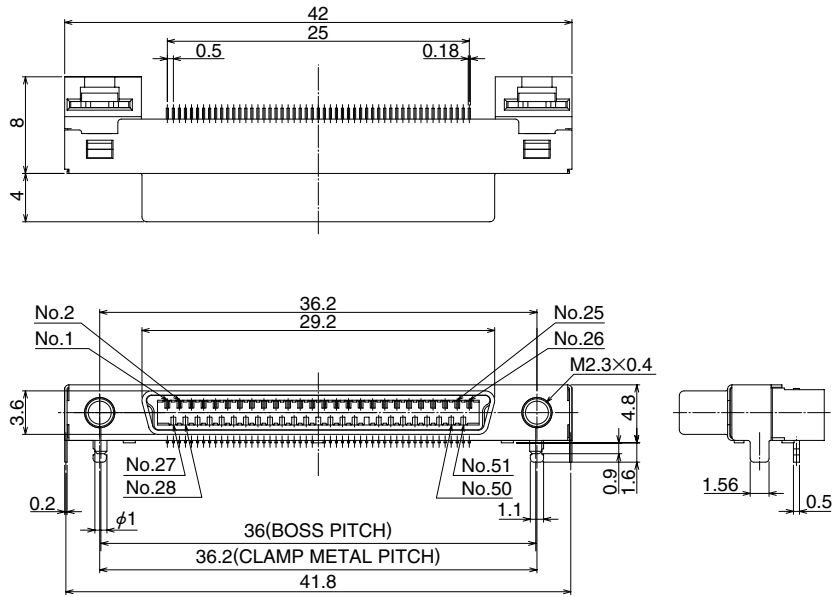
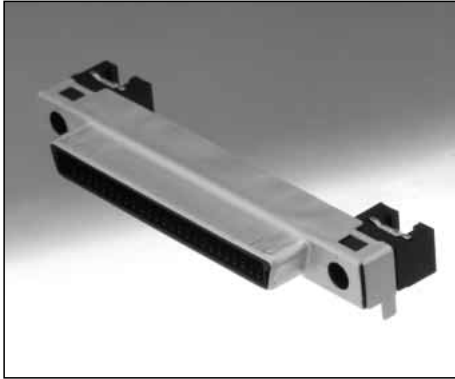
[27pos. DH60-27P]



[37pos. DH60-37P]

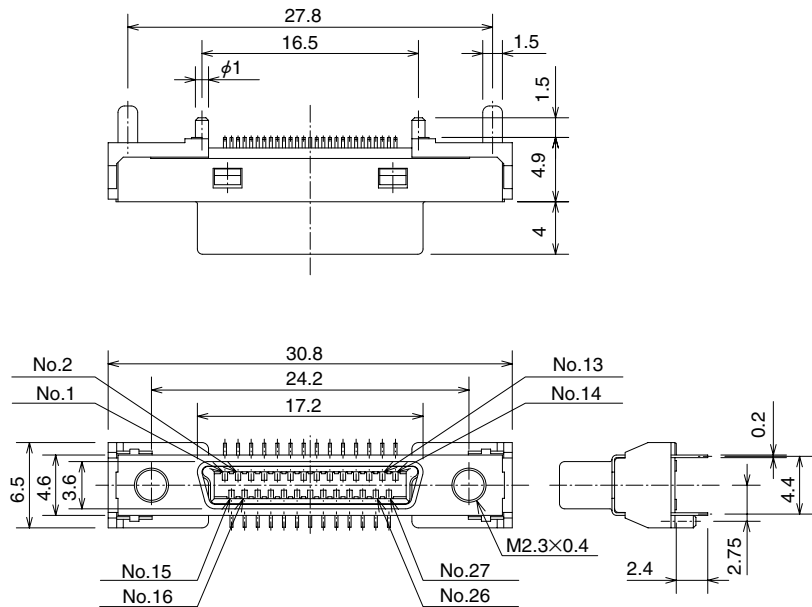
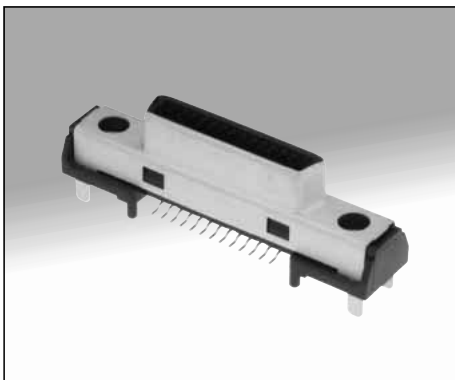


[51pos. DH60-51P]



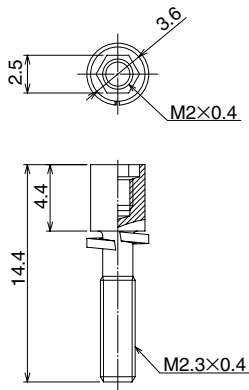
● Straight type

[27pos. DH80-27P]

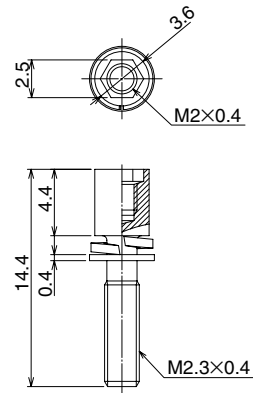


## ■ Lock screw

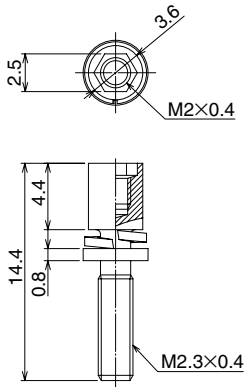
[Applicable panel thickness 1.4 to 1.6mm:DH-LNA]



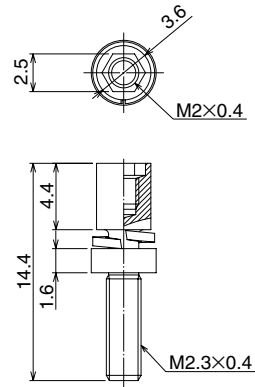
[Applicable panel thickness 0.9 to 1.2mm:DH-LNA-W4]



[Applicable panel thickness 0.5 to 0.8mm:DH-LNA-W8]



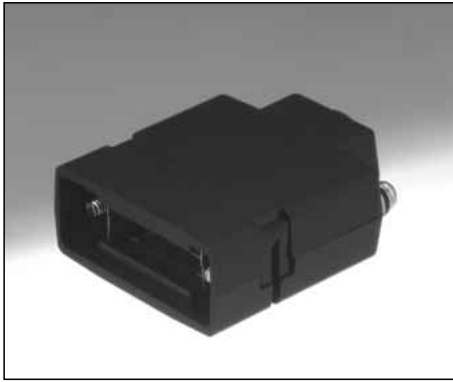
[No panel:DH-LNA-W16]



## ■ Cover case

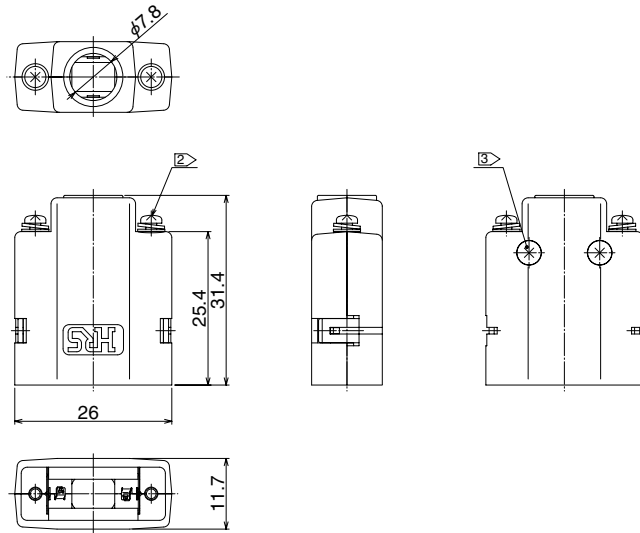
### ● Screw lock

[17pos. DH-17-CV1B]

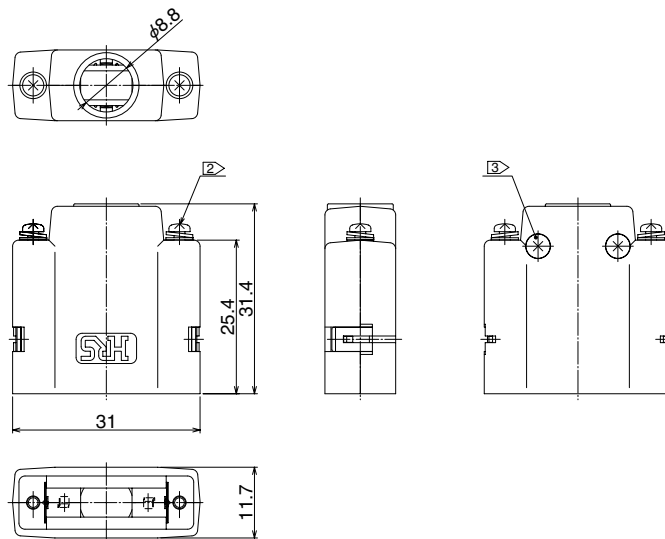


Note 1. This product is delivered separately.

- ② A recommended screw tightening torque to lock screw(DH-LNA\*\*\*) should be from 0.06 to 0.07N·m.
- ③ A recommended screw tightening torque for covers to be from 0.1 to 0.15N·m.

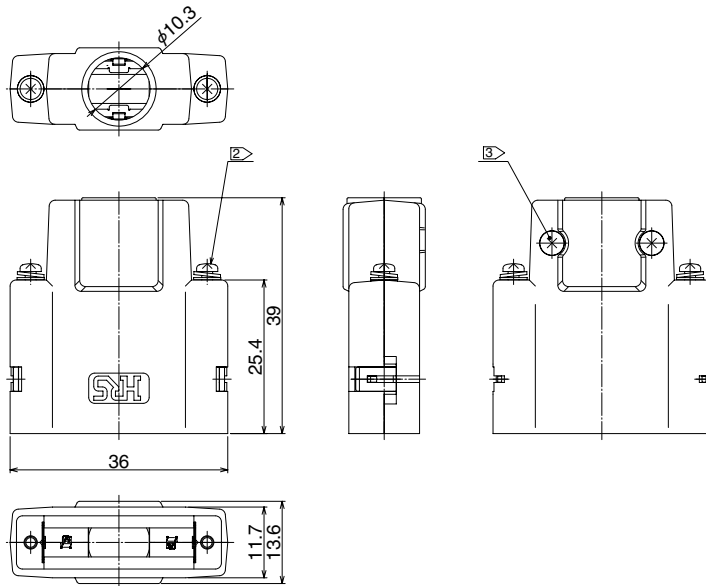


[27pos. DH-27-CV1B]

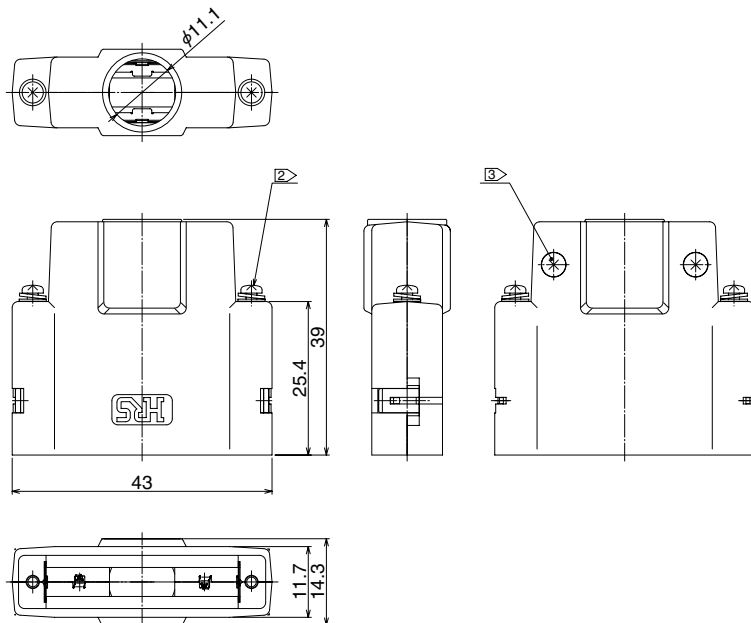




[37pos. DH-37-CV1B]



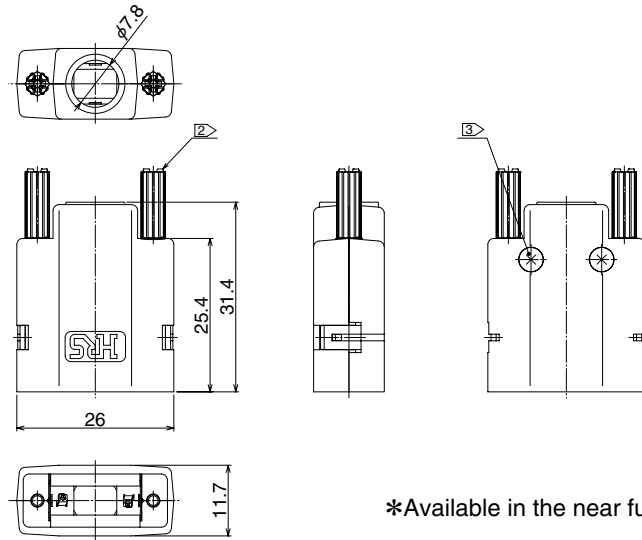
[51pos. DH-51-CV2B]



● Hand screw  
[17pos. DH-17-CV2B]

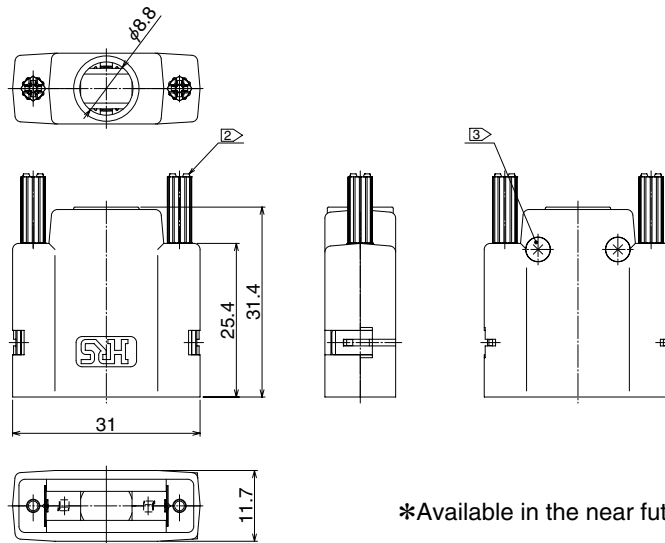


Note 1. This product is delivered separately.  
 ② A recommended screw tightening torque to the lock screws to be from 0.06 to 0.07N·m.  
 ③ A recommended screw tightening torque for covers to be from 0.1 to 0.15N·m.



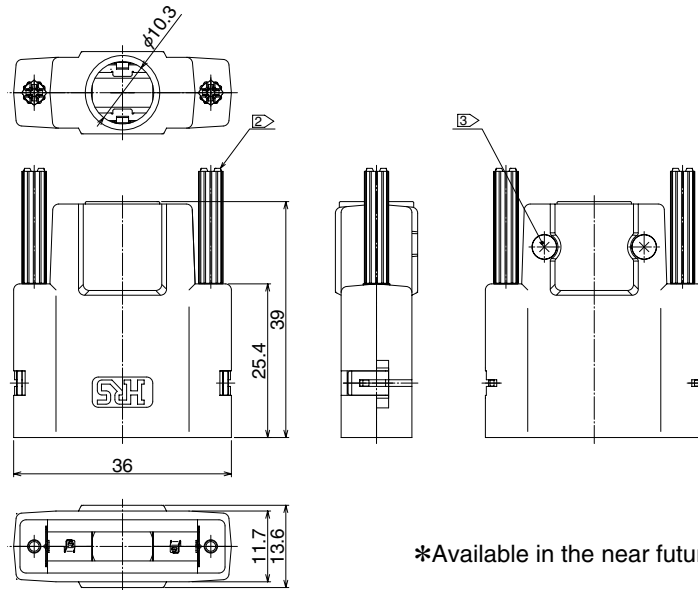
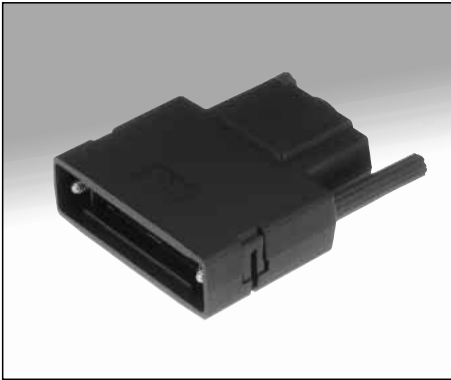
\*Available in the near future

[27pos. DH-27-CV2B]



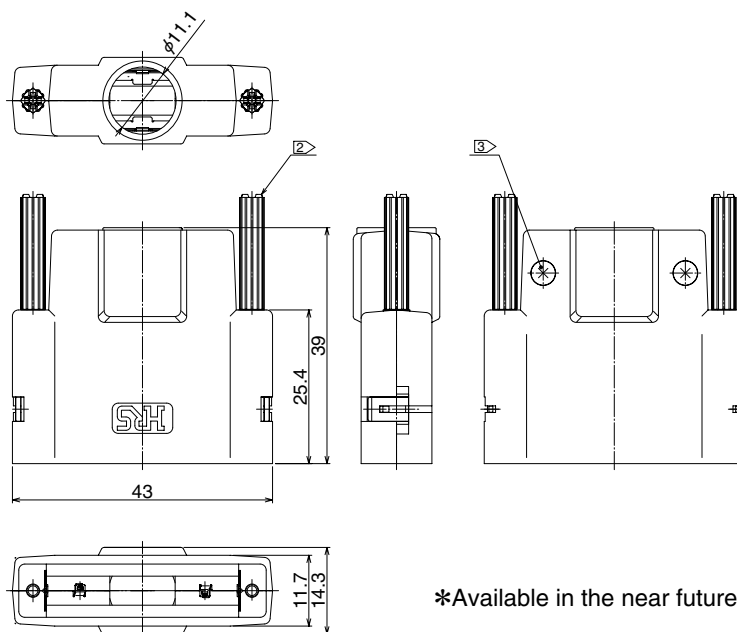
\*Available in the near future

[37pos. DH-37-CV2B]



\*Available in the near future

[51pos. DH-51-CV2B]



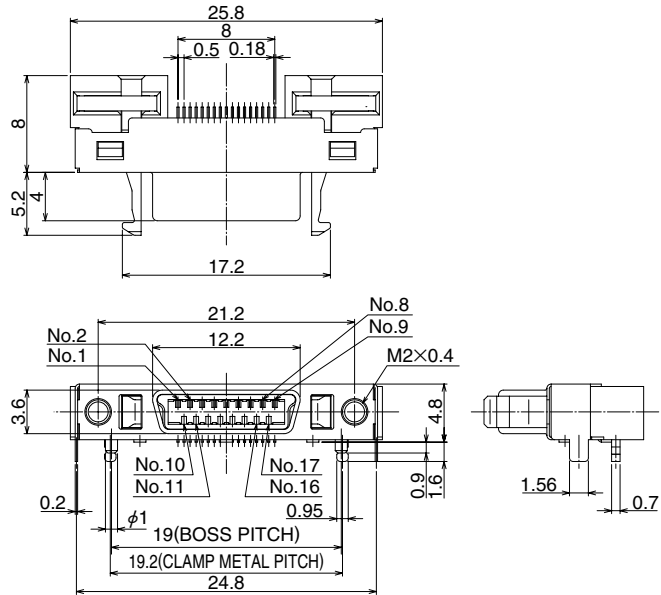
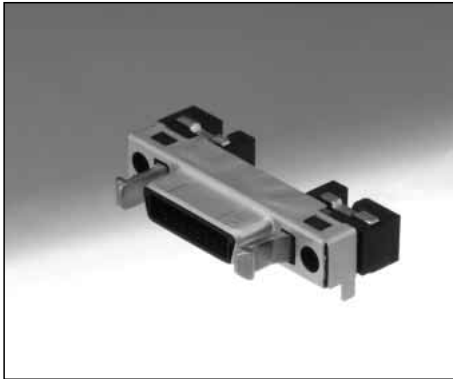
\*Available in the near future

## One Touch Lock Type

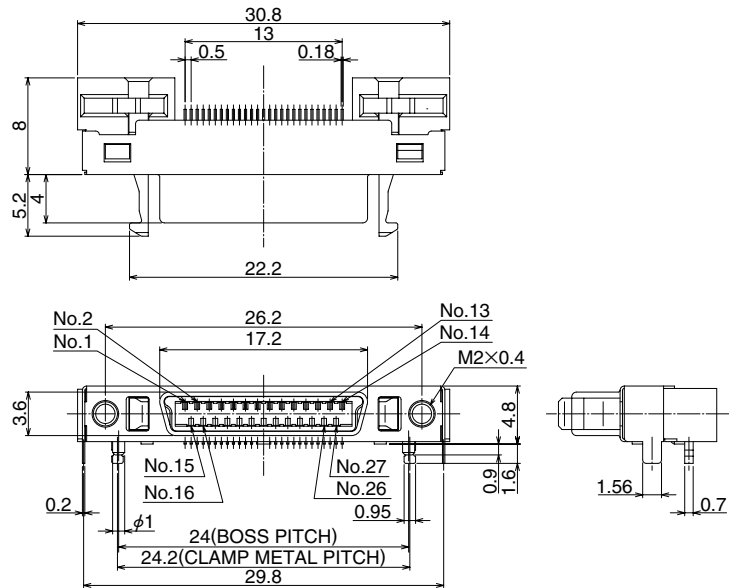
### ■ Receptacle connector

#### ● Right angle type

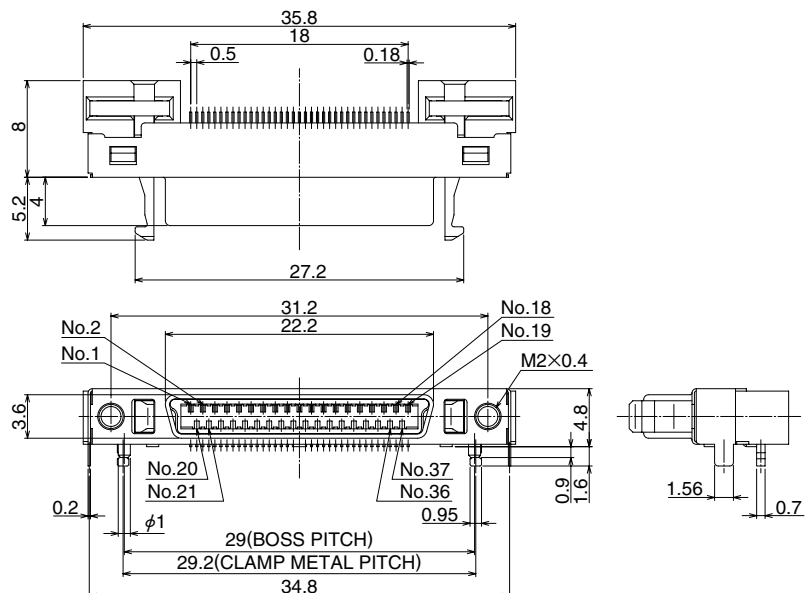
[17pos. DH60A-17P]



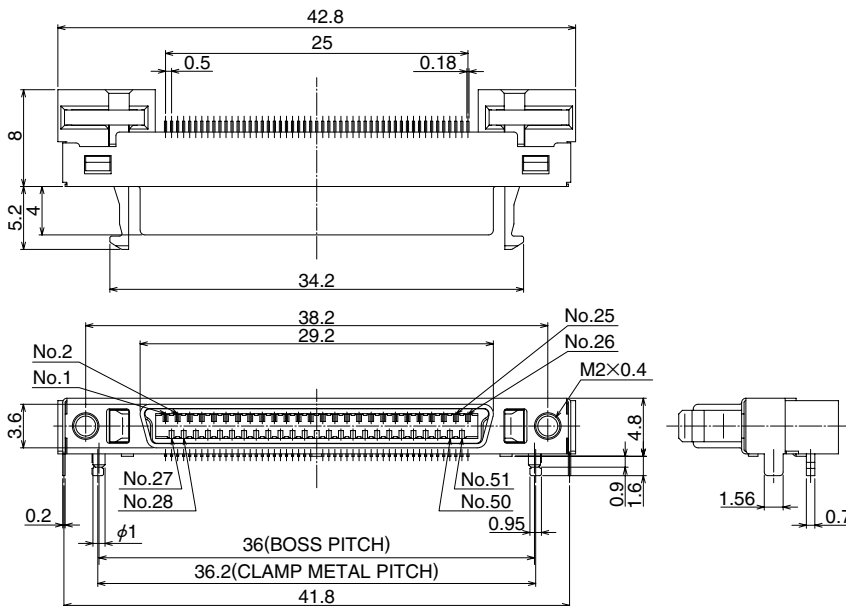
[27pos. DH60A-27P]



[37pos. DH60A-37P]

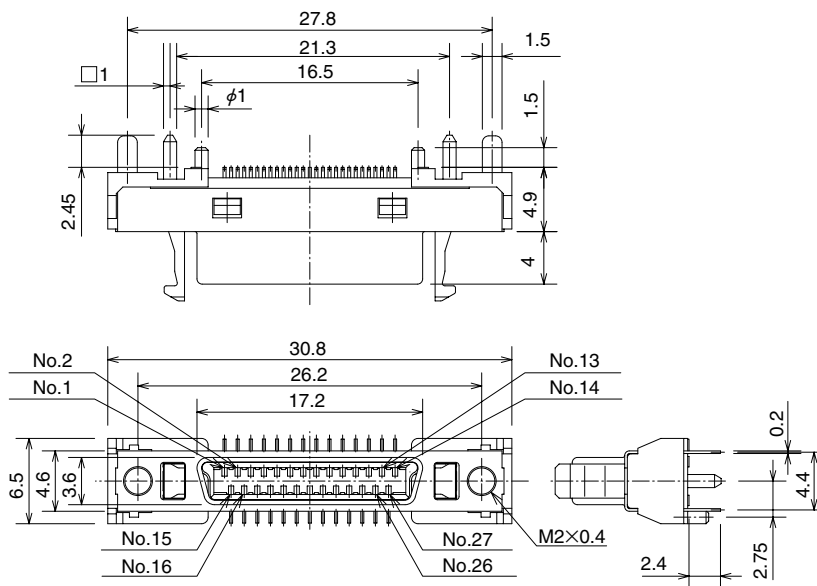


[51pos. DH60A-51P]



● Straight type

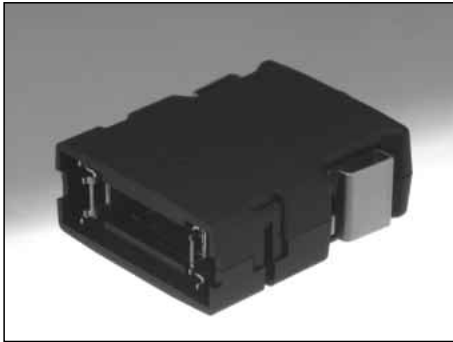
[27pos. DH80A-27P]



## ■ Cover case

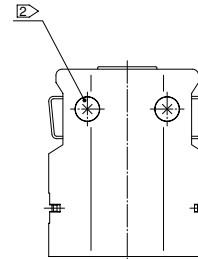
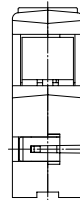
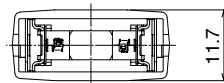
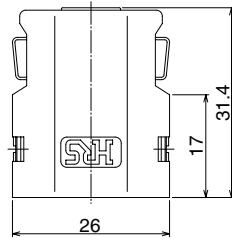
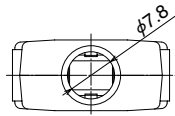
### ● Metal button type

[17pos. DH-17-CT1B]

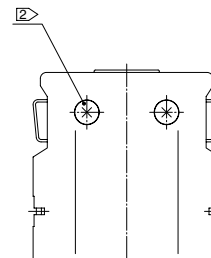
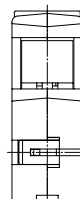
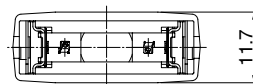
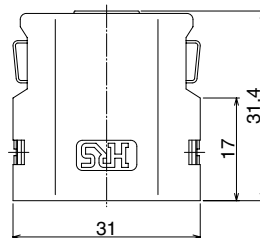
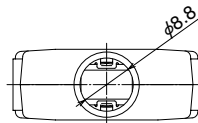
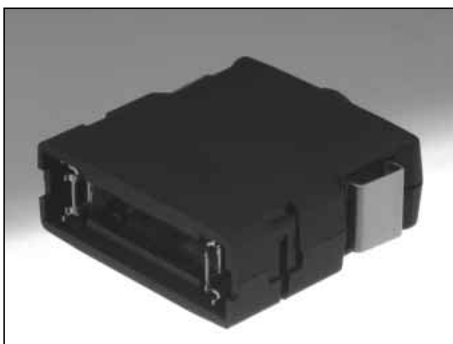


Note 1. This product is delivered separately.

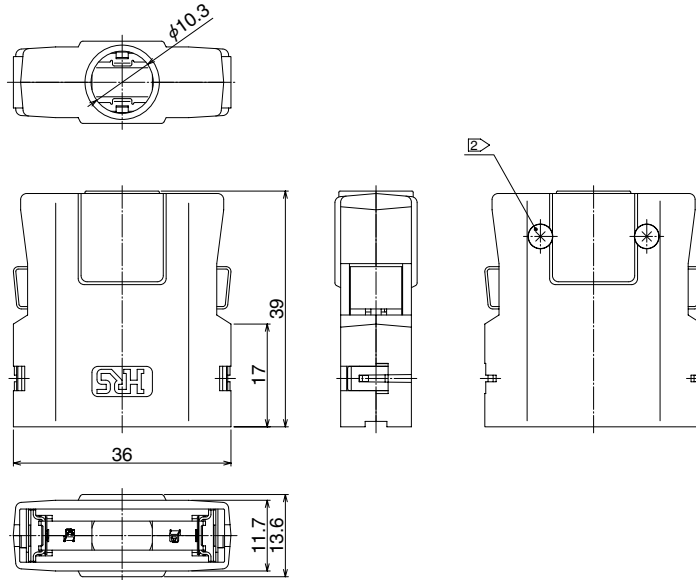
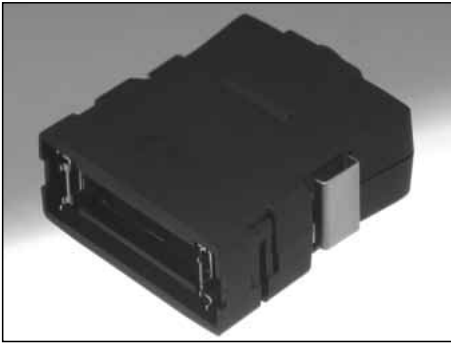
② A recommended screw tightening torque for covers to be from 0.1 to 0.15N·m.



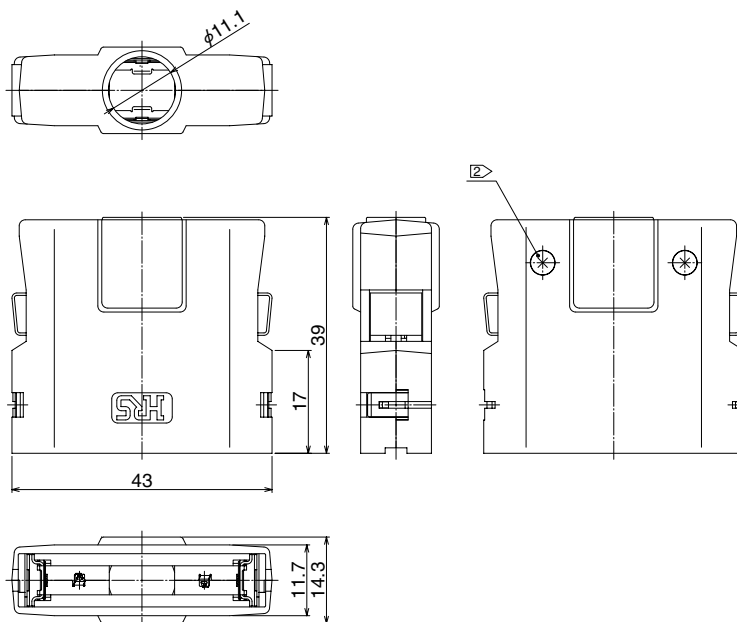
[27pos. DH-27-CT1B]



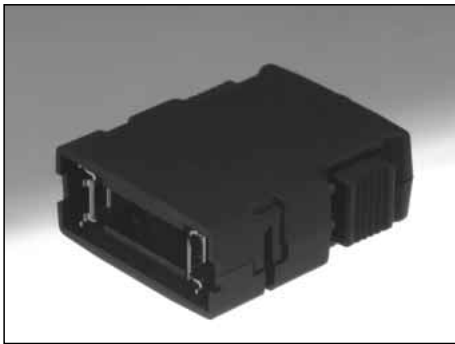
[37pos. DH-37-CT1B]



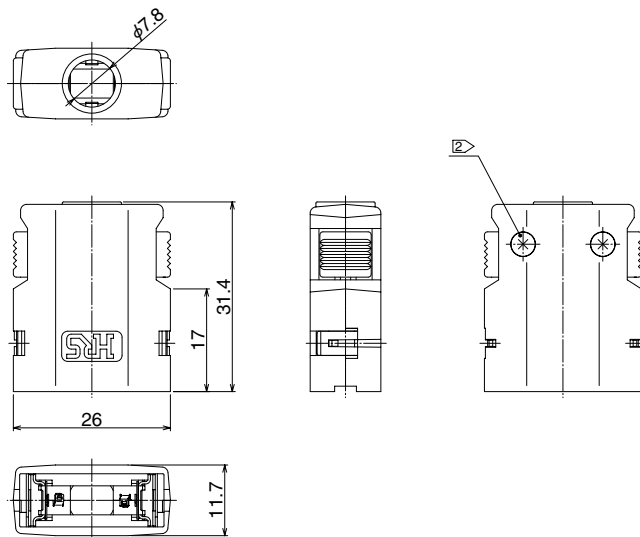
[51pos. DH-51-CT1B]



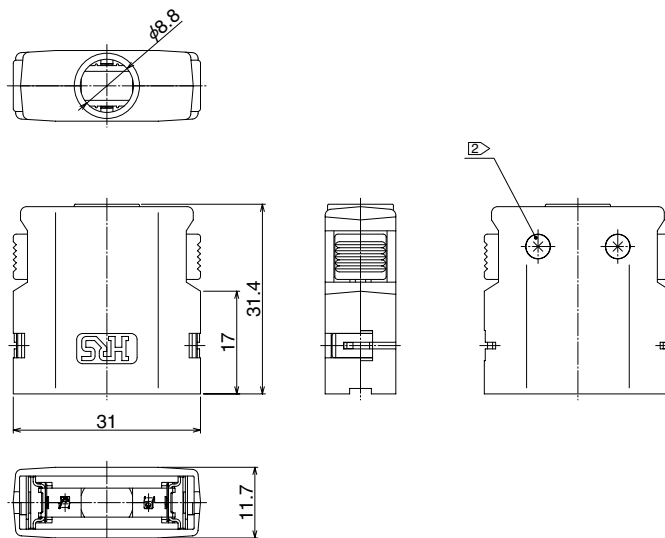
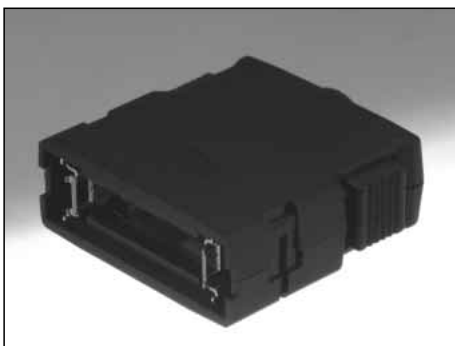
● Plastic button type  
[17pos. DH-17-CT2B]



Note 1. This product is delivered separately.  
② A recommended screw tightening torque for covers to be from 0.1 to 0.15N·m.

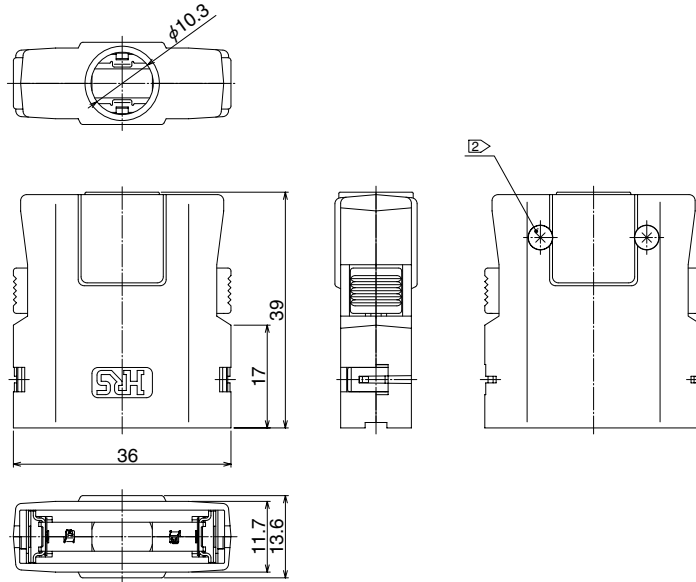


[27pos. DH-27-CT2B]

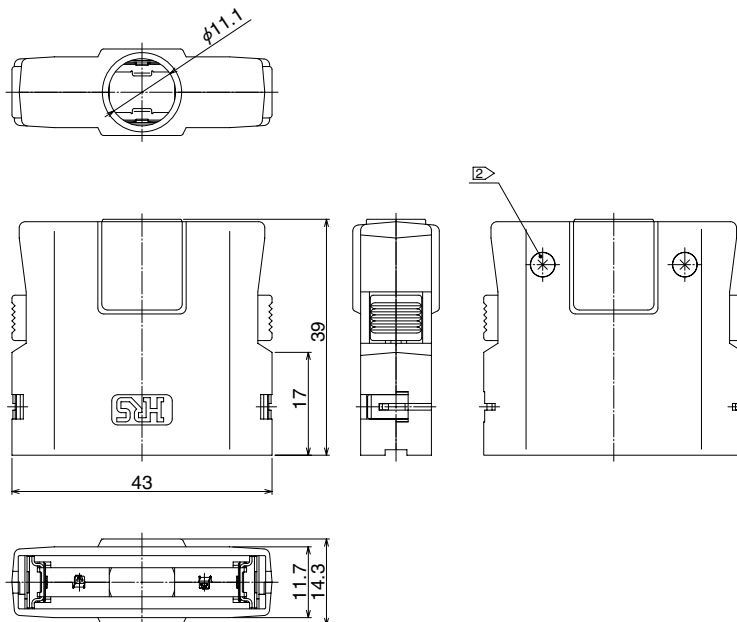




[37pos. DH-37-CT2B]



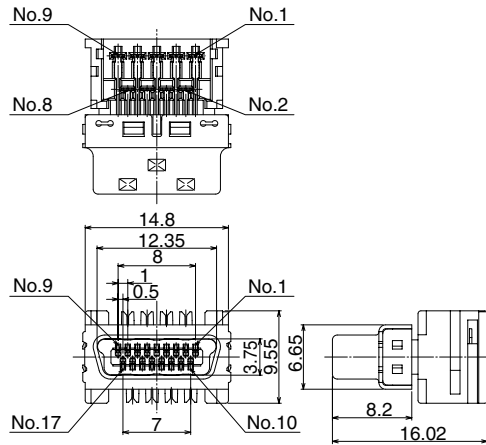
[51pos. DH-51-CT2B]



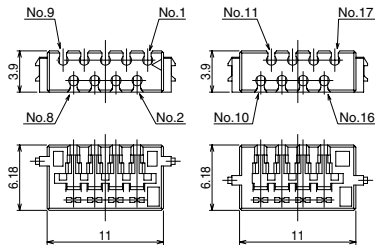
## ■ Plug unit

### ● IDC type

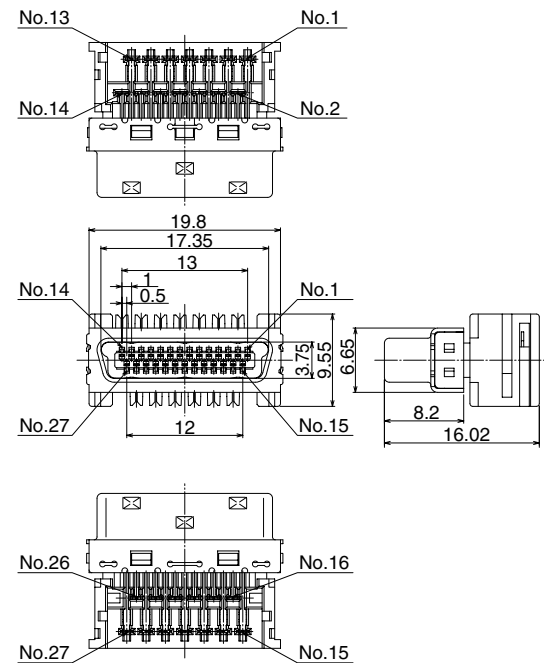
[17pos. DH30B-17S]



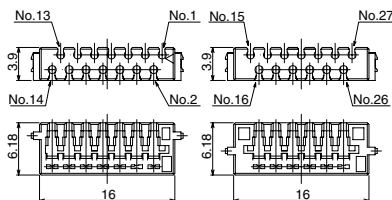
### Bundled parts



[27pos. DH30B-27S, DH30B-27S]



### Bundled parts

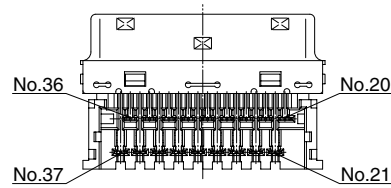
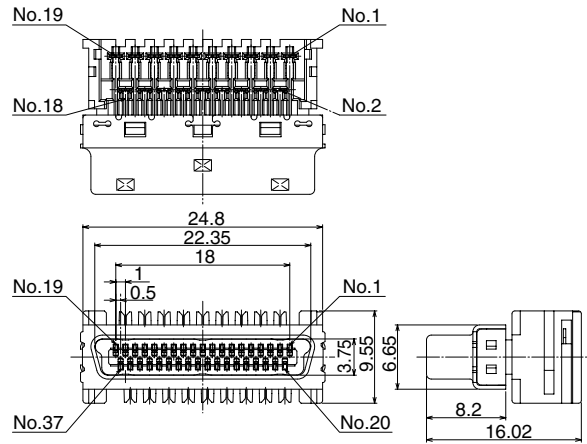
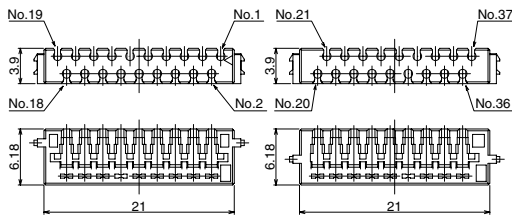


\*DH30B-27S and DH32B-27S are different holes in the attached parts.

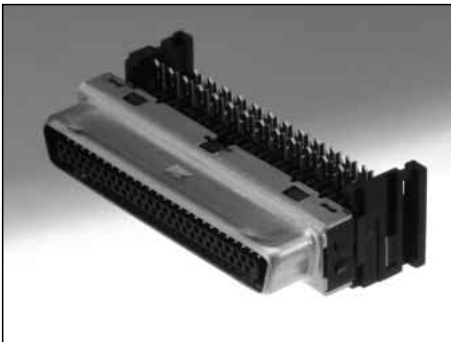
[37pos. DH30B-37S]



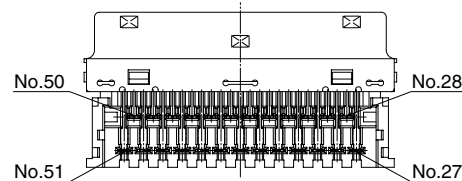
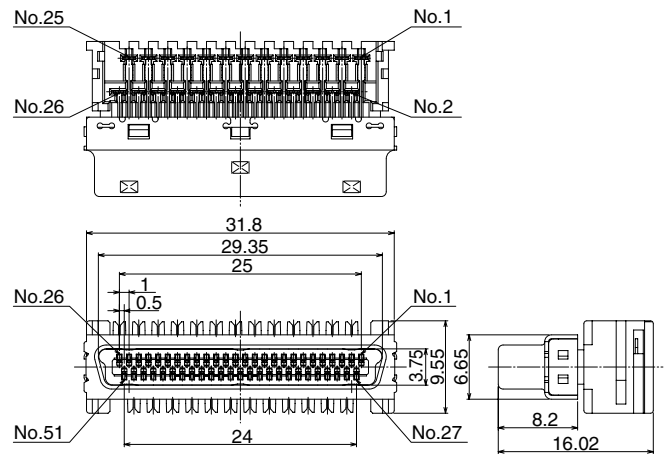
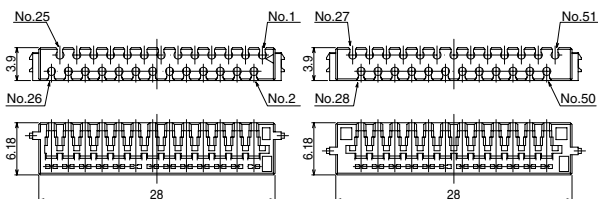
Bundled parts



[51pos. DH30B-51S]

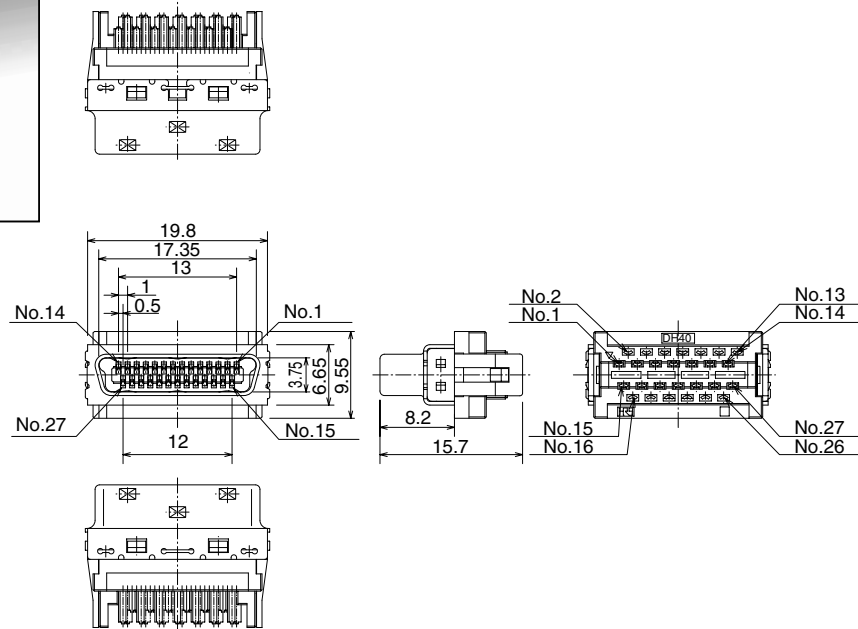


Bundled parts

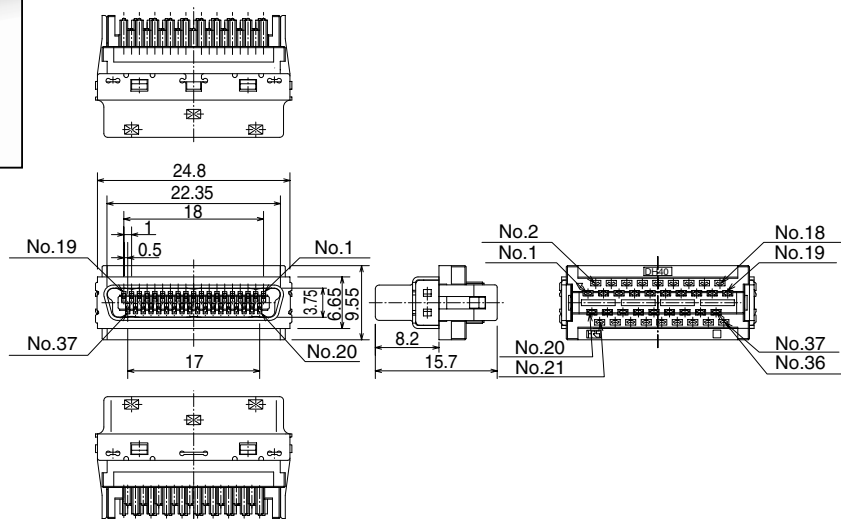


● Solder contact type

[27pos. DH40-27S]

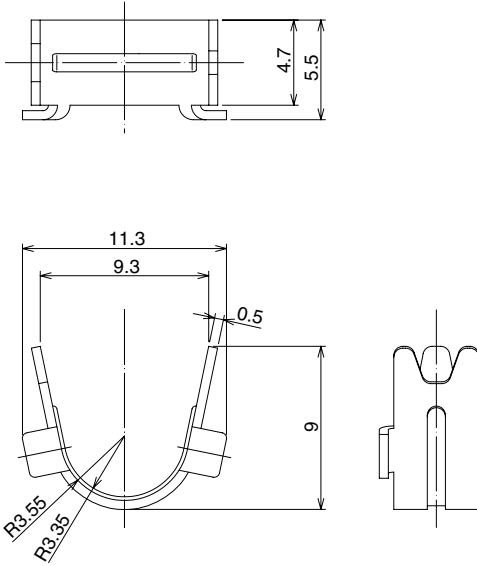


[37pos. DH40-37S]

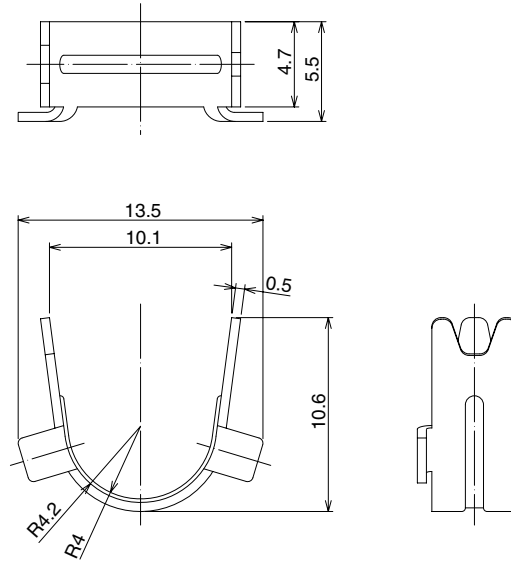


■ Metal clamp

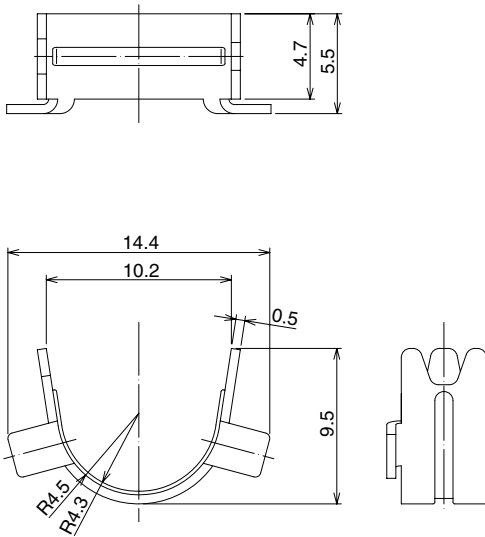
[17pos. DH-17-CMB(6.3)]  
(Cable outer diameter 6.3mm)



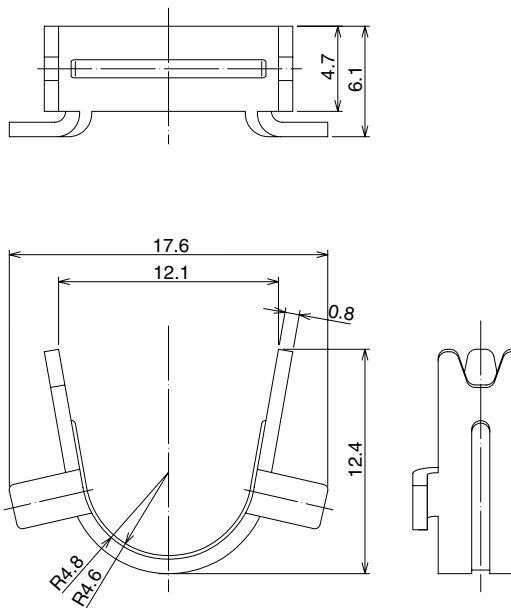
[27pos. DH-27-CMB(6.9)]  
(Cable outer diameter 6.9mm)



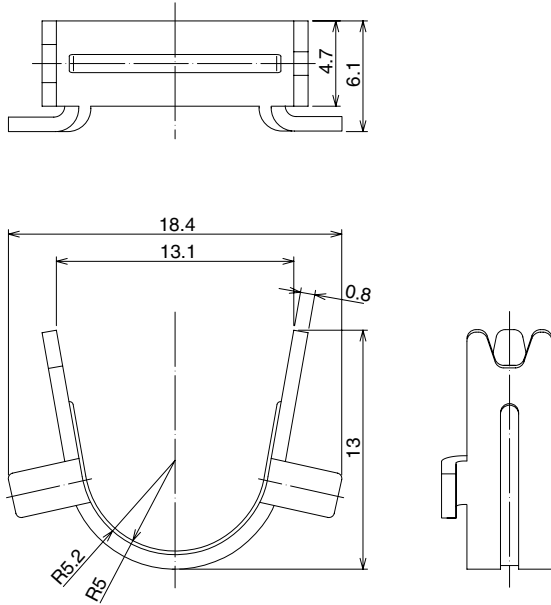
[27pos. DH-27-CMB(7.3)]  
(Cable outer diameter 7.3mm)



[37pos. DH-37-CMB(8.8)]  
(Cable outer diameter 8.8mm)

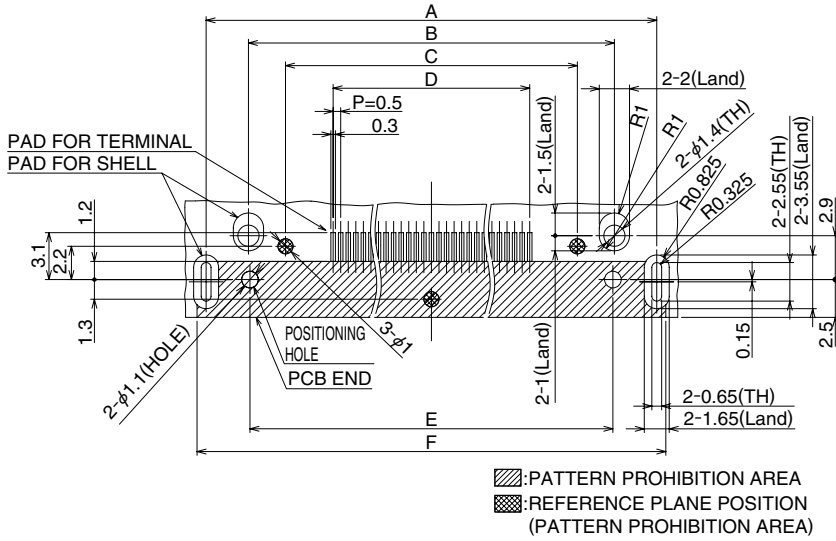


**[51pos. DH-51-CMB(9.6)]**  
**(Cable outer diameter 9.6mm)**



## Recommended PCB Mounting pattern

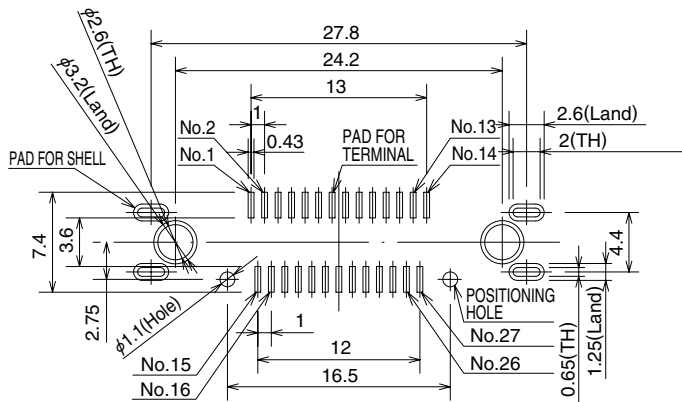
### ●DH60-\*\*\*P, DH60A-\*\*\*P



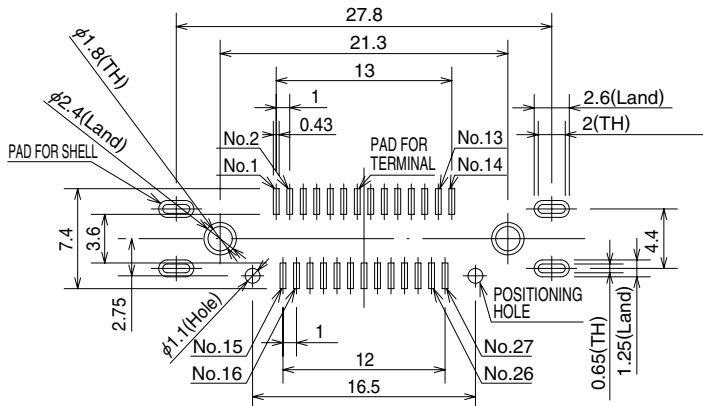
Unit:mm

|                       | A    | B    | C    | D  | E  | F  |
|-----------------------|------|------|------|----|----|----|
| DH60-17P<br>DH60A-17P | 24.8 | 19.2 | 14.3 | 8  | 19 | 26 |
| DH60-27P<br>DH60A-27P | 29.8 | 24.2 | 19.3 | 13 | 24 | 31 |
| DH60-37P<br>DH60A-37P | 34.8 | 29.2 | 24.3 | 18 | 29 | 36 |
| DH60-51P<br>DH60A-51P | 41.8 | 36.2 | 31.3 | 25 | 36 | 43 |

### ●DH80-27P

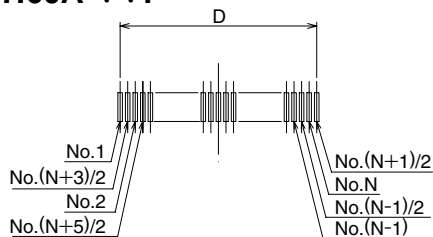


### ●DH80A-27P



## Terminal No.chart

### ●DH60-\*\*\*P, DH60A-\*\*\*P



\*N: Number of positions

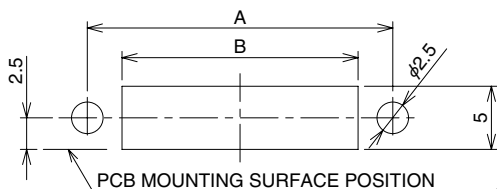
## ■ Panel cutout

### ● Screw lock type

#### Panel cutout for reference (Right angle type, Straight type)

(The dimension is specified based on the center of the connector interface)

DH-LNA(CL244-0045-0-00)

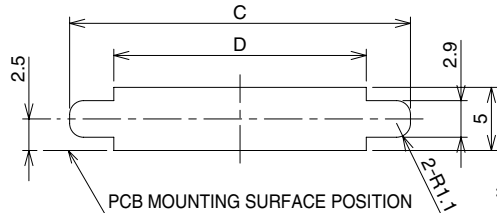


\*Please set piercing R as less than R1.

DH-LNA-W4(CL244-0046-2-00)

DH-LNA-W8(CL244-0004-2-00)

DH-LNA-W16(CL244-0005-5-00)



\*Please set piercing R as less than R1.

#### A·B·C·D dimension table

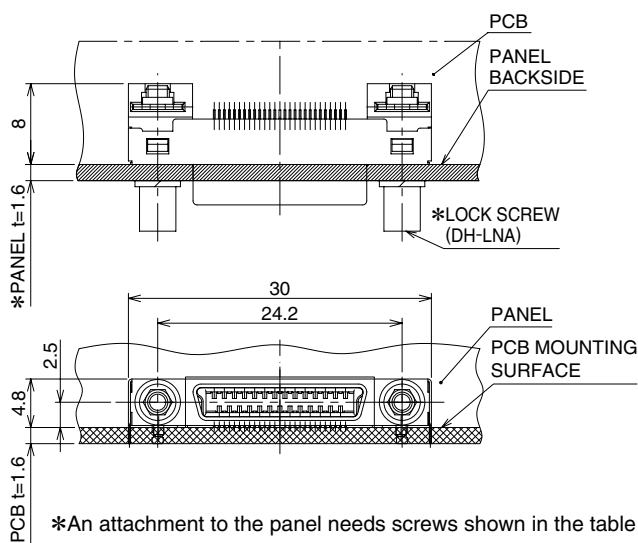
Unit:mm

| Number of contacts | A    | B    | C  | D  |
|--------------------|------|------|----|----|
| 17                 | 19.2 | 13.7 | 22 | 15 |
| 27                 | 24.2 | 18.7 | 27 | 20 |
| 37                 | 29.2 | 23.7 | 32 | 25 |
| 51                 | 36.2 | 30.7 | 39 | 32 |

#### Connector mounted on PCB

(For example, panel thickness is 1.6mm)

\*The drawing is shown sample of DH60-27P.

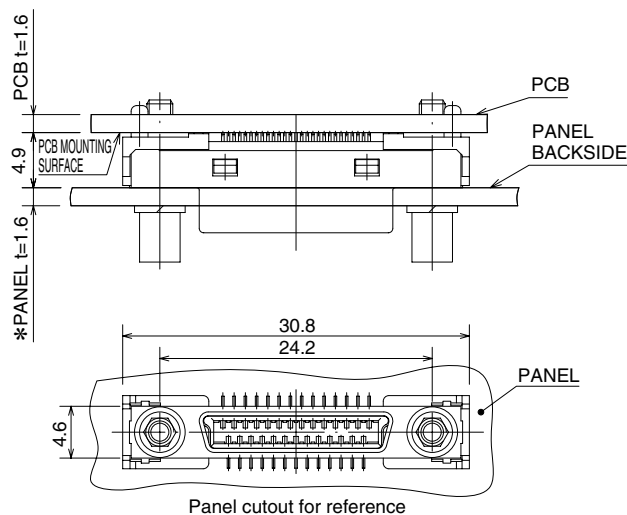


\*An attachment to the panel needs screws shown in the table below.

| Applicable panel thickness(mm) | Part No.   | Code No.      |
|--------------------------------|------------|---------------|
| 1.4 to 1.6                     | DH-LNA     | 244-0045-0-00 |
| 0.9 to 1.2                     | DH-LNA-W4  | 244-0046-2-00 |
| 0.5 to 0.8                     | DH-LNA-W8  | 244-0004-2-00 |
| No panel                       | DH-LNA-W16 | 244-0005-5-00 |

\*The recommended screw tightening torque to be from 0.12 to 0.3 N·m

\*DH80-27P

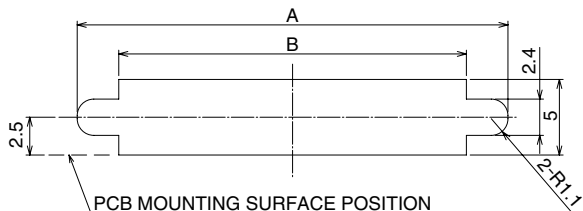




## ●One Touch Lock Type

### Panel cutout for reference (Right angle type, Straight type)

(The dimension is specified based on the center of the connector interface)



\*Please set piercing R as less than R1.

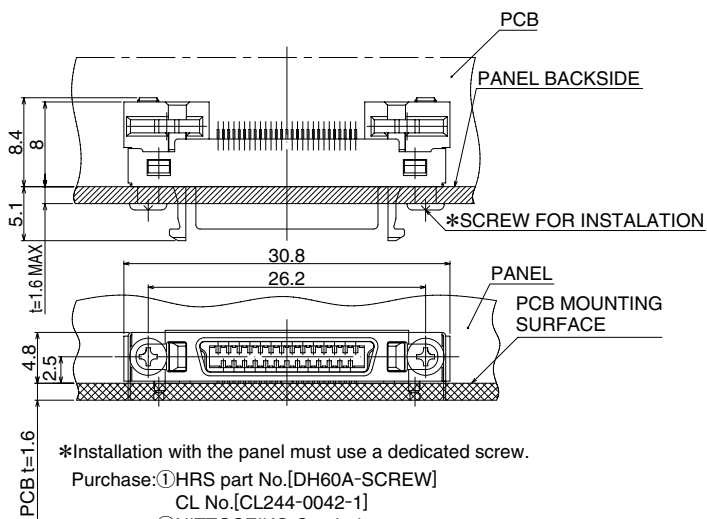
**A·B dimension table**

Unit:mm

| Number of contacts | A    | B  |
|--------------------|------|----|
| 17                 | 23.5 | 18 |
| 27                 | 28.5 | 23 |
| 37                 | 33.5 | 28 |
| 51                 | 40.5 | 35 |

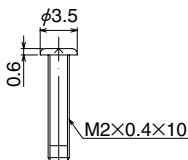
### Connector mounted on PCB

\*DH60A-27P is representative examples.

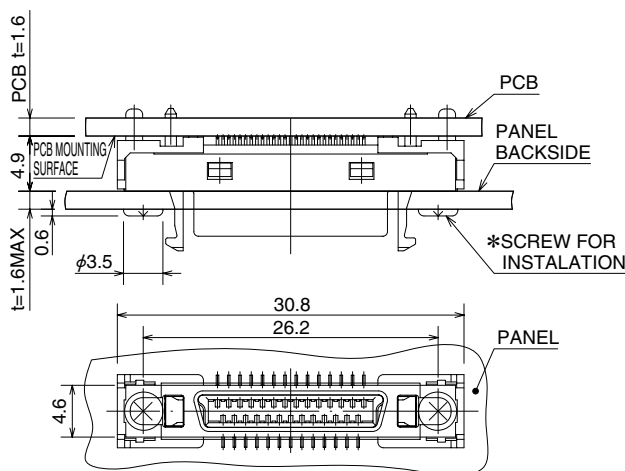


\*Installation with the panel must use a dedicated screw.  
 Purchase: ①HRS part No.[DH60A-SCREW]  
 CL No.[CL244-0042-1]  
 ②NITTOSEIKO Co., Ltd.  
 [FINE PAN HEAD MACHINE SCREW 2 TYPES]

\*SCREW FOR INSTALATION

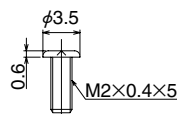


\*DH80A-27P



\*Installation with the panel must use a dedicated screw.  
 Purchase: ①HRS part No.[DH80A-SCREW]  
 CL No.[CL244-0059-4]  
 ②NITTOSEIKO Co., Ltd.  
 [FINE PAN HEAD MACHINE SCREW 2 TYPES]

\*SCREW FOR INSTALATION



## ■ Applicable tools

|   | Process                    | Part No.   | CL No.       |
|---|----------------------------|--|--------------|
| 1 | Cable end processing       | manual work  |              |
| 2 | Upper level wire arranging | wire arranging tool : DH/CA-MO   | CL902-2183-0 |
| 3 | Upper level press fitting  |  |              |
| 4 | Lower level wire arranging |  |              |
| 5 | Lower level press fitting  |  |              |
| 6 | Cable cutting              | manual work(nipper etc.)   |              |
| 7 | IDC                        | ① IDC-clamping tool:DH/IDCK-MP   | CL902-2185-5 |
|   |                            | ② attachment for 17pos:DH-17UNIT   | CL902-2186-8 |
|   |                            | attachment for 27pos:DH-27UNIT   | CL902-2187-0 |
|   |                            | attachment for 37pos:DH-37UNIT   | CL902-2188-3 |
|   |                            | attachment for 51pos:DH-51UNIT   | CL902-2189-6 |
|   |                            | ③ HI-FLEX termination press<br>(Select appropriate attachment of each pin count from ②.) | CL550-0082-2 |
| 8 | Cable clamping             | ① IDC-clamping tool:DH/IDCK-MP   | CL902-2185-5 |
|   |                            | ② attachment for DH-17-CMB(6.3):DH-17-CMB(6.3)UNIT                                       | CL902-2190-5 |
|   |                            | attachment for DH-27-CMB(6.9):DH-27-CMB(6.9)UNIT   | CL902-2194-6 |
|   |                            | attachment for DH-27-CMB(7.3):DH-27-CMB(7.3)UNIT   | CL902-2191-8 |
|   |                            | attachment for DH-37-CMB(8.8):DH-37-CMB(8.8)UNIT   | CL902-2192-0 |
|   |                            | attachment for DH-51-CMB(9.6):DH-51-CMB(9.6)UNIT   | CL902-2193-3 |
|   |                            | ③ HI-FLEX termination press<br>(Select appropriate attachment of each pin count from ②.) | CL550-0082-2 |
| 9 | Cover attaching            | manual work(torque driver etc.)  |              |

\*Customers already having HI-FLEX termination press can apply it to this product assembly.

\*Each ① and ③ of 7. IDC and 8. Clamping are the same tools. All the parts ①, ② and ③ are required for each 7. IDC and 8. Clamping processes for mass-production.



**USA:**

**HIROSE ELECTRIC (U.S.A.), INC. Headquarters**

2688 Westhills Court, Simi Valley, CA 93065-6235  
Phone : 1-805-522-7958  
Fax : 1-805-522-3217  
<http://www.hiroseusa.com>

**USA:**

**HIROSE ELECTRIC (U.S.A.), INC. North California Office**

20400 Stevens Creek Blvd., Ste 250, Cupertino, CA 95014  
Phone : 1-408-253-9640  
Fax : 1-408-253-9641  
<http://www.hiroseusa.com>

**USA:**

**HIROSE ELECTRIC (U.S.A.), INC. Detroit Office (Automotive)**

37677 Professional Center Drive, Suite #100C Livonia, MI 48154  
Phone : 1-734-542-9963  
Fax : 1-734-542-9964  
<http://www.hiroseusa.com>

**GERMANY:**

**HIROSE ELECTRIC EUROPE B.V. GERMAN BRANCH**

Herzog-Carl-Strasse 4 D-73760 Ostfildern (Scharnhauser Park)  
Phone : 49-711-4560-02-1  
Fax : 49-711-4560-02-299  
<http://www.hirose.de>

**THE NETHERLANDS:**

**HIROSE ELECTRIC EUROPE B.V.**

Hogehillweg #8 1101 CC Amsterdam Z-0  
Phone : 31-20-6557460  
Fax : 31-20-6557469  
<http://www.hiroseeurope.com>

**UK:**

**HIROSE ELECTRIC EUROPE B.V. UK BRANCH**

First Floor, St Andrews House, Caldecotte Lake Business Park, Milton Keynes MK7 8LE  
Phone : 44-1908-369060  
Fax : 44-1908-369078  
<http://www.hirose.co.uk>

**CHINA:**

**HIROSE ELECTRIC CO., LTD. BEIJING REPRESENTATIVE OFFICE**

A1001, Ocean International Center, Building 56# East 4th Ring Middle Road, Chao Yang District, Beijing, 100025  
Phone : 86-10-5165-9332  
Fax : 86-10-5908-1381  
<http://www.hirose-china.com.cn>

**CHINA:**

**HIROSE ELECTRIC (SHANGHAI) CO., LTD.**

1501-02, Cross Tower Building, 318 Fuzhou Road, Huang Pu District, Shanghai 200001  
Phone : 86-21-6391-3355  
Fax : 86-21-6335-0767  
<http://www.hirose-china.com.cn>

**CHINA:**

**HIROSE ELECTRIC CO., LTD. SHENZHEN OFFICE**

Room 09-13, 19/F, Office Tower Shun Hing Square, Di Wang Commercial Centre 5002, ShenNanDong Road, ShenZhen City, Guangdong Province, 518008  
Phone : 86-755-8207-0851  
Fax : 86-755-8207-0873  
<http://www.hirose-china.com.cn>

**HONG KONG:**

**HIROSE ELECTRIC HONGKONG TRADING CO., LTD.**

Unit 1102 A&B, Energy Plaza, 92 Granville Road, Tsim Sha Tsui East, Kowloon  
Phone : 852-2803-5338  
Fax : 852-2591-6560  
<http://www.hirose-hongkong.com.hk>

**TAIWAN:**

**HIROSE ELECTRIC TAIWAN CO., LTD.**

103 8F, No.87, Zhengzhou Rd., Taipei  
Phone : 886-2-2555-7377  
Fax : 886-2-2555-7350  
<http://www.hirose-taiwan.com.tw>

**SINGAPORE:**

**HIROSE ELECTRIC CO., LTD.**

10 Anson Road #26-16 International Plaza 079903  
Phone : 65-6324-6113  
Fax : 65-6324-6123  
<http://www.hirose-singapore.com.sg>

**KOREA:**

**HIROSE KOREA CO., LTD.**

1261-10, Jeoungwhang-Dong, Shihung-City, Kyunggi-Do 429-450  
Phone : 82-31-496-7000,7124  
Fax : 82-31-496-7100  
<http://www.hirose.co.kr>



---

**HIROSE ELECTRIC CO.,LTD.**

5-23,OSAKI 5-CHOME,SHINAGAWA-KU,TOKYO 141-8587,JAPAN  
PHONE: 81-3-3491-5300, FAX: 81-3-3495-5230  
<http://www.hirose.com>  
<http://www.hirose-connectors.com>

---

# DH シリーズ ハーネス治具設置メーカー 一覧

2012/04/1 現在  
as of Apr. 1, 2012

## List of Cable Assembly House for DH Series

| 地域<br>Region | 対応メーカー / 代理店<br>Assy House/Distributor          | 住所<br>Address  | 連絡先<br>Contact                          | ホームページアドレス<br>HP  |
|--------------|---|--|---|---|
| 日本<br>Japan  | 日立電線ファインテック株式会社<br>Hitachi Cable Fine-Tech,Ltd. | 〒319-1411<br>茨城県日立市川尻町4-10-1<br><br>4-10-1,Kawajiricho,<br>Hitachi-Shi, Ibaraki,<br>319-1411, Japan                          | TEL:0294-42-5480<br>FAX:0294-43-6169    | <a href="http://www.fine.hitachi-cable.co.jp/">http://www.fine.hitachi-cable.co.jp/</a>                               |
|              | 株式会社 マルニックス<br>Marunix Co.,Ltd.                 | 〒343-0011<br>埼玉県越谷市増林6794-2<br><br>6794-2, Masubayashi,<br>Koshigaya-Shi, Saitama,<br>343-0011, Japan                        | TEL:048-965-0200<br>FAX:048-965-2327    | <a href="http://www.marunix.co.jp">http://www.marunix.co.jp</a>   |
|              | 平河ヒューテック株式会社<br>HIRAKAWA-HEWTECH CORP.          | 〒140-8551<br>東京都品川区南大井3-28-10<br>JK大森ビル<br><br>JK OomoriBldg, 3-28-10,<br>Minami-oi, Shinagawa-Ku,<br>Tokyo, 140-8511, Japan | TEL:03-5493-1721<br>FAX:03-5493-1702    | <a href="http://www.hewtech.co.jp/index.html">http://www.hewtech.co.jp/index.html</a>                                 |
|              | インターワイヤード株式会社<br>INTERWAIRERD.CO.,LTD.          | 〒140-8547<br>東京都品川区南大井5-19-8<br><br>5-19-8,Minami-oi,<br>Shinagawa-Ku, Tokyo,<br>140-8547, Japan                             | TEL:03-3761-6787(代)<br>FAX:03-3765-7873 | <a href="http://www.interwired.co.jp/electricwire/index.html">http://www.interwired.co.jp/electricwire/index.html</a> |
|              | 日星電気株式会社<br>NISSEI ELECTRIC CO.,LTD.            | 〒432-8006<br>静岡県浜松市西区大久保町<br>1509番地<br><br>1509, Ookubo-Cho,<br>Nishi-Ku, Hamamatsu-Shi,<br>Shizuoka, 432-8006, Japan        | TEL:053-485-4705(代)<br>FAX:053-485-5444 | <a href="http://www.nissei-el.co.jp/">http://www.nissei-el.co.jp/</a>   |
|              | ダイトデンソー株式会社<br>DAITO DENSO CO.,LTD.             | 〒520-3044<br>滋賀県栗東市伊勢落宇野神<br>689番地1<br><br>1-689, Azanogami, Iseochi,<br>Ritto-Shi, Shiga,<br>520-3044, Japan                | TEL:077-553-7600(代)<br>FAX:077-553-7877 | <a href="http://www.daitodenso.co.jp/">http://www.daitodenso.co.jp/</a>   |