

**PLEASE CHECK WWW.MOLEX.COM FOR LATEST PART INFORMATION**

**Part Number:** [0532580429](#)  
**Status:** **Active**  
**Description:** 3.50mm (.138") Pitch Header, Vertical, Lead-free, 4 Circuits, Brass (CuZn) Contact

**Documents:**

[3D Model](#) [Product Specification PS-51067-019 \(PDF\)](#)  
[Drawing \(PDF\)](#) [RoHS Certificate of Compliance \(PDF\)](#)

**Agency Certification**

TUV R72081037  
 UL E29179

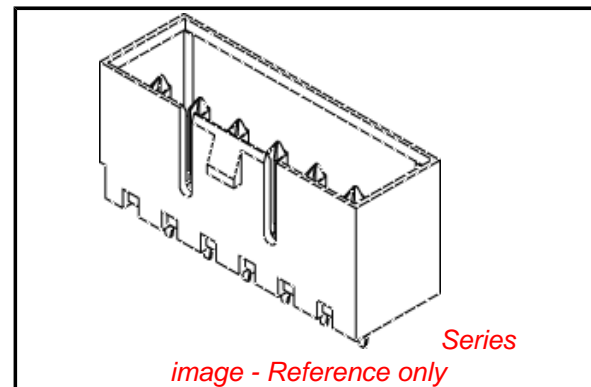
**General**

Product Family PCB Headers  
 Series [53258](#)  
 Application Wire-to-Board  
 Product Name N/A

**Physical**

Breakaway No  
 Circuits (Loaded) 4  
 Circuits (maximum) 4  
 Color - Resin Natural  
 Durability (mating cycles max) 30  
 First Mate / Last Break No  
 Flammability 94V-0  
 Glow-Wire Compliant No  
 Guide to Mating Part Yes  
 Keying to Mating Part None  
 Lock to Mating Part Yes  
 Material - Metal Brass  
 Material - Plating Mating Tin  
 Material - Plating Termination Tin  
 Material - Resin Polyester  
 Number of Rows 1  
 Orientation Vertical  
 PC Tail Length (in) 0.138 In  
 PC Tail Length (mm) 3.50 mm  
 PCB Locator No  
 PCB Retention None  
 PCB Thickness Recommended (in) 0.062 In  
 PCB Thickness Recommended (mm) 1.60 mm  
 Packaging Type Tray  
 Pitch - Mating Interface (in) 0.138 In  
 Pitch - Mating Interface (mm) 3.50 mm  
 Plating min: Mating (µin) 40  
 Plating min: Mating (µm) 1  
 Plating min: Termination (µin) 40  
 Plating min: Termination (µm) 1  
 Polarized to PCB No  
 Shrouded Fully  
 Stackable No  
 Temperature Range - Operating -40°C to +105°C  
 Termination Interface: Style Through Hole

**Electrical**



**EU RoHS**

**ELV and RoHS Compliant**  
**REACH SVHC**  
 Not Reviewed  
**Halogen-Free Status**

**China RoHS**



**Not Halogen-Free**

**Need more information on product environmental compliance?**

Email [productcompliance@molex.com](mailto:productcompliance@molex.com)  
 For a multiple part number RoHS Certificate of Compliance, [click here](#)

Please visit the [Contact Us](#) section for any non-product compliance questions.

**Search Parts in this Series**

[53258Series](#)

**Mates With**

[51067](#) Wire-to-Wire and Wire-to-Board Housing

Current - Maximum per Contact 5.5A  
Voltage - Maximum 250V

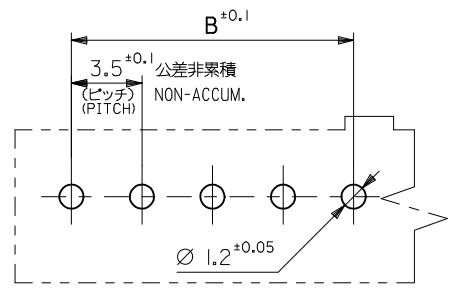
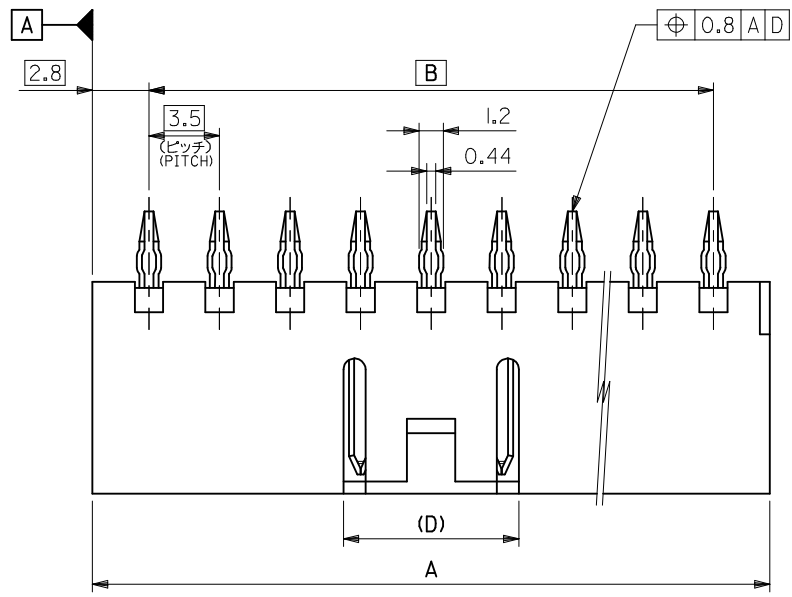
**Material Info**

**Reference - Drawing Numbers**

Product Specification PS-51067-019, RPS-51067-002, RPS-51067-019,  
RPS-51067-025, RPS-51067-028, RPS-51067-035,  
RPS-51067-041  
Sales Drawing SD-53258-005

This document was generated on 04/16/2010

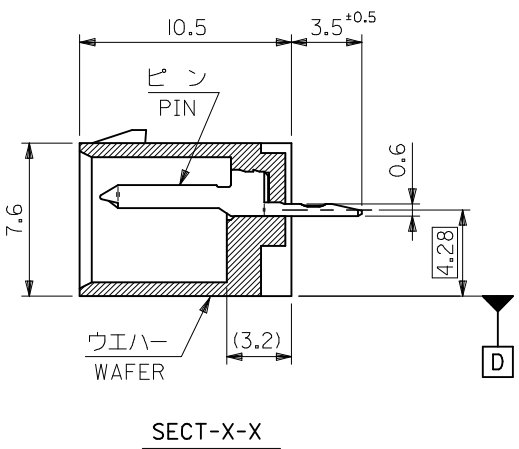
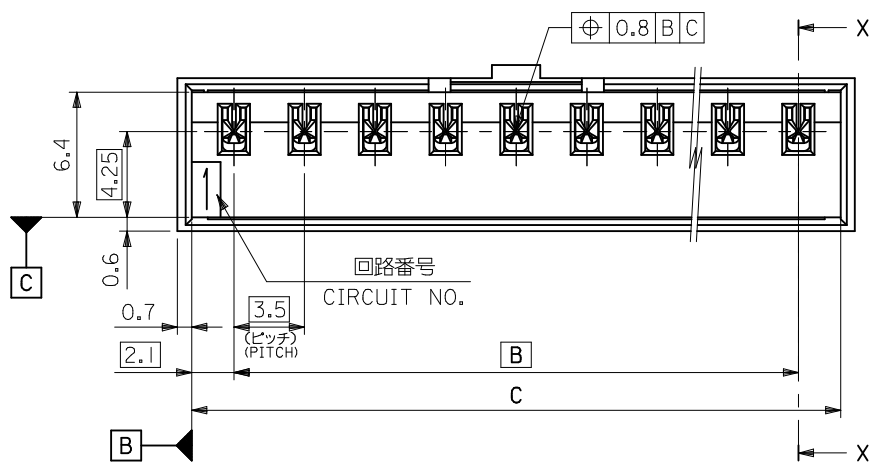
**PLEASE CHECK [WWW.MOLEX.COM](http://WWW.MOLEX.COM) FOR LATEST PART INFORMATION**



注記 NOTES

1. 嵌合相手 : 51067 シリーズ  
MATE WITH : 51067 SERIES
2. 材質  
MATERIAL  
ウエハー : PBTP (ガラス15%入り) , UL94V-0  
WAFER : PBTP (G.F 15%) , UL94V-0  
ピン : 黄銅、ニッケル下地 鍍メッキ (t=0.254)  
PIN : BRASS  
TIN OVER NICKEL PLATING (t=0.254)
3. 本製品は 53258-\*\*-20 の鉛フリー品である。  
THIS PRODUCT IS LEAD FREE OF 53258-\*\*-20.
4. メッキ仕様  
TERMINAL PLATING  
表面メッキ : スズメッキ 14μm MIN.  
SURFACE PLATE : TIN 14μm MIN.  
下地メッキ : ニッケルメッキ 14μm MIN.  
UNDER PLATE : NICKEL 14μm MIN.

基板取付穴推奨寸法 (参考) (t=1.6)  
RECOMMENDED P.C. BOARD HOLE DIM. (REF.)



8.7	53.2	49.0	54.6	53258-1529	15	
	49.7	45.5	51.1	-1429	14	
	46.2	42.0	47.6	-1329	13	
	42.7	38.5	44.1	-1229	12	
	39.2	35.0	40.6	-1129	11	
	35.7	31.5	37.1	-1029	10	
	32.2	28.0	33.6	-0929	9	
	28.7	24.5	30.1	-0829	8	
	25.2	21.0	26.6	-0729	7	
	21.7	17.5	23.1	-0629	6	
	18.2	14.0	19.6	-0529	5	
	8.7	14.7	10.5	16.1	-0429	4
	6.1	11.2	7.0	12.6	-0329	3
	6.1	7.7	3.5	9.1	53258-0229	2
(D)	C	B	A	MATERIAL NO.	CKT. 極致	

MODEL NO. 53258-\*\*-29

REVISED EC NO: J2007-0432 DRW:KSAIT001 2006/08/11 CHKD:THARUYAMA 2006/08/21 APPR:NUKITA 2006/08/23	GENERAL TOLERANCES (UNLESS SPECIFIED)		DIMENSION STYLE MM ONLY		SCALE 4:1	DESIGN UNITS METRIC	THIRD ANGLE PROJECTION		
	10 UNDER	±0.2	DRAWN BY T. UENO	DATE 2004/04/22	TITLE 3.5 WIRE TO BOARD CONN -LEAD FREE-				
	10 OVER 30 UNDER	±0.25	CHECKED BY M. SASAO	DATE 2004/04/22	MOLEX INCORPORATED				
	30 OVER	±0.3	APPROVED BY M. SASAO	DATE 2004/04/22	MATERIAL NO. SEE CHART	DOCUMENT NO. SD-53258-005	SHEET NO. 1 OF 1		
DESCRIPTION ANGULAR ±3 ° DRAFT WHERE APPLICABLE MUST REMAIN WITHIN DIMENSIONS	THIS DRAWING CONTAINS INFORMATION THAT IS PROPRIETARY TO MOLEX INCORPORATED AND SHOULD NOT BE USED WITHOUT WRITTEN PERMISSION								

MATERIAL 材料  
注記参照  
SEE NOTES