

Specification

W905 . W906

All exposed cast aluminum components are made of non corrosive pure aluminum copper free (Aluminum is less than .1% copper content.#356 alloy.)

Finish: All polyester powder baked coatings preceded with a 5 baths preparation process. Meets military grade MIL-C781706 with a 2000 hours salt spray test.

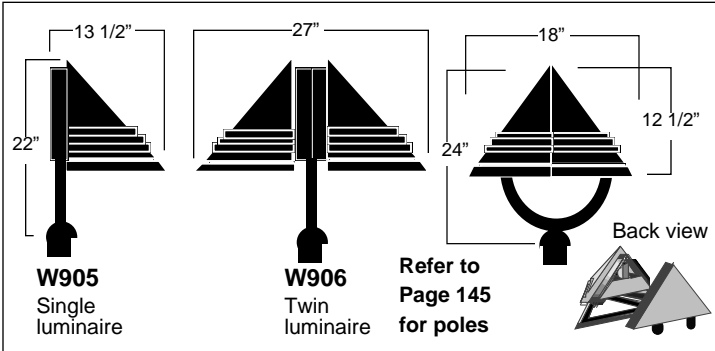
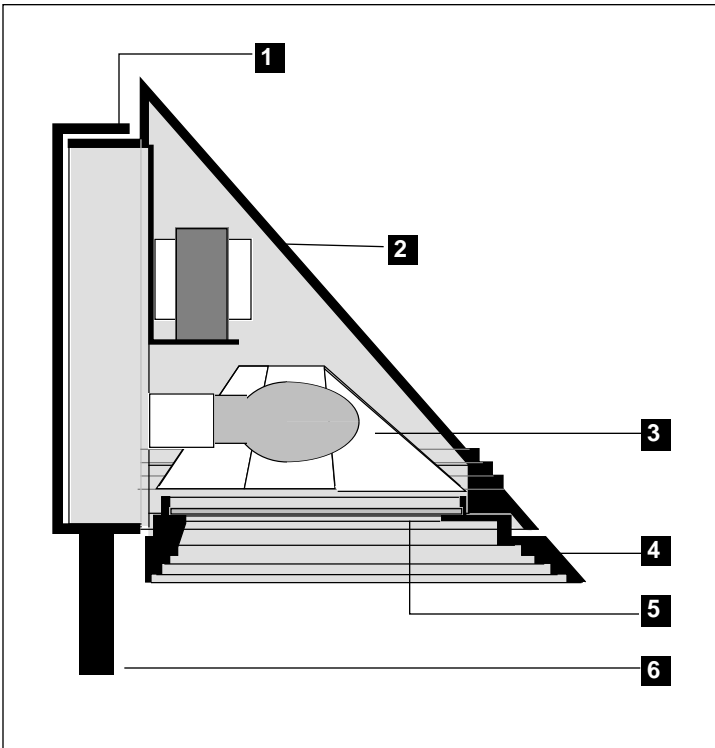
- Pulse rated medium base porcelain socket.
- 75W/600V thermoplastic compact fluorescent socket.
- One-piece molded silicone gasket with memory retention.
- High power factor CWA ballast. Or 98% P.F.electronic smart ballast with end of life detection for compact fluorescent.
- All stainless steel hardware.
- All Moving and removable parts are sealed with a memory retention silicone gasket.

- 1- One piece cast aluminum wall mounting triangular box.
- 2- One piece cast aluminum triangular housing.
- 3- Aluminum specular multi facet reflector.
- 4- One piece sealed cast aluminum regressed lens frame.
- 5- Clear tempered sealed lens.
- 6- 1 1/2" dia. "U" shaped aluminum support tubing.

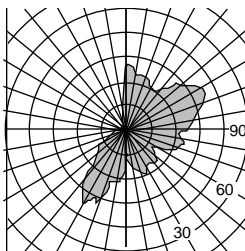
Compatible poles listing.

Post top mounting					Pole height
4"O.D.	5"O.D.	4"O.D.	4"O.D.	4"O.D.	
PAA410-A	PAA510-A1	PCA10-A	PEX10-A	PXD10-A	10 ft
PAA412-A	PAA512-A1	PCA12-A	PEX12-A	PXD12-A	12 ft
PAA414-A	PAA514-A1	PCA14-A	PEX14-A	PXD14-A	14 ft
PAA416-A	PAA516-A1	PCA16-A	PEX16-A	PXD16-A	16 ft
PAA418-A	PAA518-A1		PEX18-A	PXD18-A	18 ft
PAA420-A	PAA520-A1		PEX20-A	PXD20-A	20 ft

For poles details and specification, please refer to pages 140 to 144



Photometry



Separate updated technical specification sheets with related models and light sources with I.E.S formatted photometry are available on www.luminis.com.

Certification

UL. Wet Location. IP54

Mounting & E.P.A.

E.P.A: 0.8 sq./ft W906 : 1.9 sq./ft Max. weight: 43 lbs.per Luminaire. Installation: Refer to page 146 for matching poles

For options details and specifications, please refer to page 41

Model#	Light source selection	Voltage	Finish	Options
<input type="checkbox"/> W905 <input type="checkbox"/> W906 	MH (ED17) <input type="checkbox"/> M70 <input type="checkbox"/> M100 <input type="checkbox"/> M150 <input type="checkbox"/> M175 HPS (ED17) <input type="checkbox"/> H70 <input type="checkbox"/> H100 <input type="checkbox"/> H150 (Lamps by others)	CF (Gx24q) Single lamp <input type="checkbox"/> F132 <input type="checkbox"/> F142 <input type="checkbox"/> F157 <input type="checkbox"/> F170 120 V Standard factory prewired (If no voltage is specified) For other voltages, please specify with catalog number. H.I.D. <input type="checkbox"/> 208 V <input type="checkbox"/> 240 V <input type="checkbox"/> 277 V <input type="checkbox"/> 347 V COMP. FLUO. Smart ballast 120/277 <input type="checkbox"/> 347 V (To specify)	(Refer to color chart) Standard selection <input type="checkbox"/> WHT: Snow white <input type="checkbox"/> BKT: Jet black <input type="checkbox"/> BZT: Bronze <input type="checkbox"/> GRT: Titanium gray <input type="checkbox"/> DGT: Gun metal <input type="checkbox"/> CHT: Champagne <input type="checkbox"/> MST: Matte silver <input type="checkbox"/> GNT: Forest green Optional colors <input type="checkbox"/> CS: Custom color <input type="checkbox"/> RAL: RAL# color	Electrical <input type="checkbox"/> FS : Fuse <input type="checkbox"/> PH1 : 120/277V photo cell <input type="checkbox"/> PH2 : 347V photo cell

Luminaires may be altered for improvements or discontinued without prior notice.