

PRODUCT NO.

61729

PRODUCT NUMBER CODE

61729- X 0 X X P S LF

BASE PRODUCT NUMBER

HOUSING COLOR OPTION

0 - WHITE
1 - BLACK

SHIELD OPTION

1 - FULL BACK
2 - PARTIAL BACK
S - FULL BACK (SPECIAL MATERIAL FOR 12,000 DURABILITY CYCLES)
P - PARTIAL BACK (SPECIAL MATERIAL FOR 12,000 DURABILITY CYCLES)

TERMINAL PLATING OPTION

0 - 50u" NI UNDERPLATED
30U" GXT CONTACT AREA
100u" PURE TIN TAIL AREA
1 - 50u" NI UNDERPLATED
30U" GOLD CONTACT AREA
100u" PURE TIN TAIL AREA

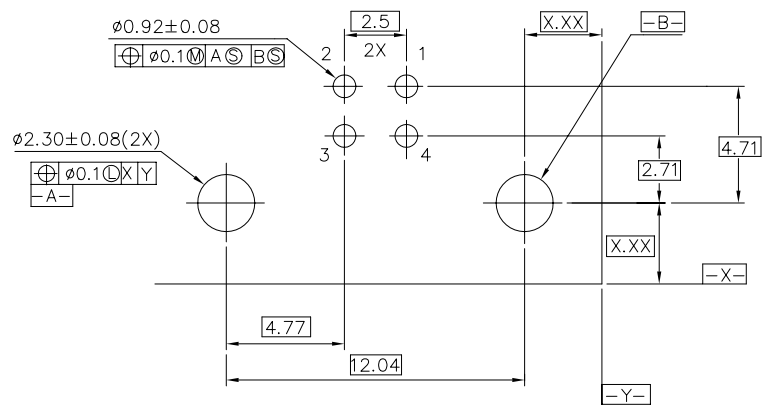
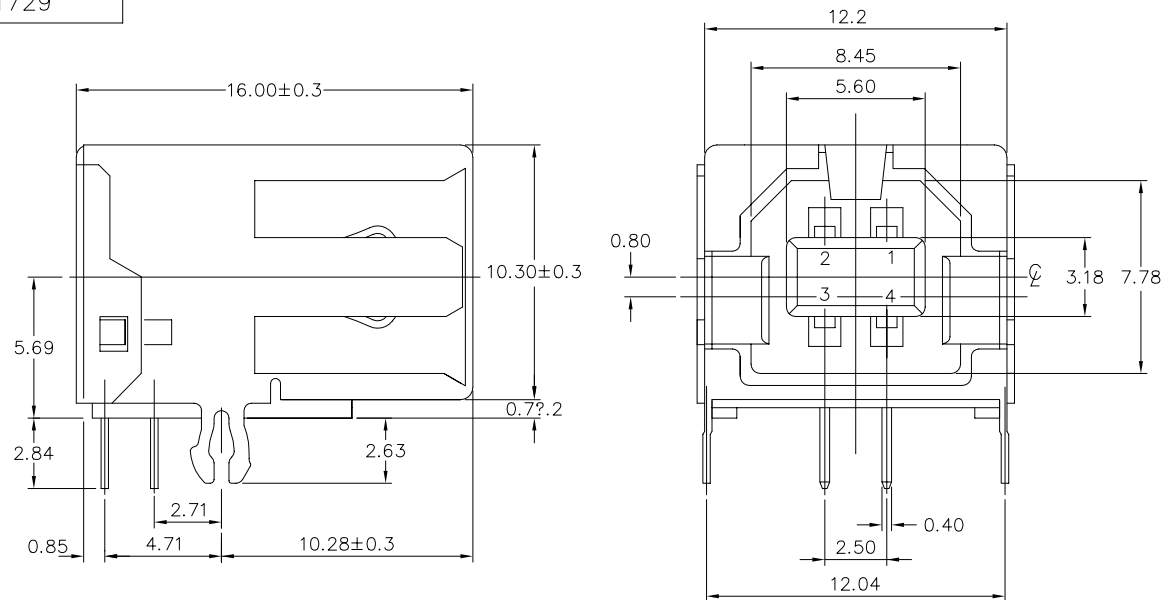
PACKAGING OPTION

B-TUBES
R-TAPE & REEL

DATE CODE OPTION

ONLY FOR PANASONIC

LEAD FREE OPTION



P.C. BOARD LAYOUT

mat'l. code		tolerances unless otherwise specified		CUSTOMER COPY		FCJ		
ltr	ecn no	dr	date	linear	.0 ± 0.30	projection	title	
S	N05-0242	PH	08/22/05		.00 ± 0.20		USB RECEPTACLE B TYPE	
T	N06-0103	HB	04/15/06		.000 ± 0.10			
U	N08-0238	R.B	2008/11/03	angles	± 2°			
V	N08-0264	R.B	2008/12/08	dr	SHIRLEY HSU 03/03/97	MM/INCH	product family USB	
				enr	R Y LIU 03/03/97	scale 4 : 1	size A3 61729	
				chr	R Y LIU 03/03/97			code sheet 1 of 2
				appd	JENN TSAO 03/03/97			
sheet index	revision sheet							

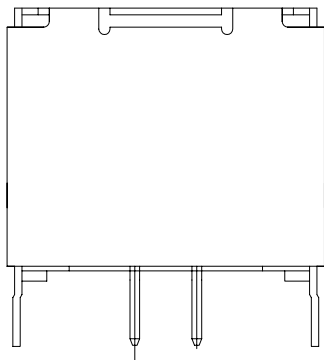
PDM: Rev:V

STATUS: Released

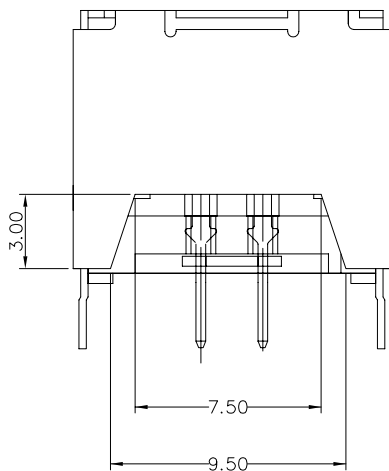
Printed: Jul 28, 2010

PRODUCT NO.

61729




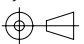
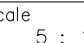
TYPE "1" FULL BACK



TYPE "2" PARTIAL BACK

NOTES:

- MATERIAL:
SHIELD & CONTACTS: COPPER ALLOY
HOUSING: UL 94V-0 THERMOPLASTIC. COLOR: SEE PRODUCT NUMBER CODE.
- PLATING: SEE PRODUCT NUMBER CODE.
SHIELD: BRIGHT TIN
NICKEL UNDERPLATE.
- DATUMS & BASIC DIMENSIONS TO BE DETERMINED BY CUSTOMER
- RECOMMENDED BOARD THICKNESS IS 1.57 mm (.062)
- PACKING STANDARD GS-14-920 WILL BE APPLIED FOR LEAD FREE P/N'S
- FOR LEAD FREE P/N, THE PRODUCT MEET EUROPEAN UNION DIRECTIVES AND OTHER COUNTRY REGULATION AS DESCRIBED IN GS-22-008
- FOR LEAD FREE P/N'S, THE HOUSING WILL WITHSTAND EXPOSURE TO 260°C PEAK TEMPERATURE FOR 40 SECONDS IN A CONVECTION, INFRO-RED OR VAPOR PHASE REFLOW OVEN.
- THE PART CAN BE USED FOR PIP PROCESS.

mat'l. code				tolerances unless otherwise specified		CUSTOMER COPY		 www.fciconnect.com		
ltr	ecn no	dr	date	linear	.0 ± 0.20	projection	title			
v					.00 ± 0.10			USB RECEPTACLE B TYPE		
					.000 ± 0.05			product family USB		
				angles	± 2°	MM/INCH	code			
				dr	SHIRLEY HSU 03/03/97	 5 : 1	size		sheet	
				enr	R Y LIU 03/03/97		dwg no		2 of 2	
				chr	R Y LIU 03/03/97		61729			
				appd	JENN TSAO 03/03/97		A3			
sheet	revision									
index	sheet									

All rights are reserved. Reproduction or use in third parties is not permitted without written authority from the proprietor.

Tous droits sont réservés. Toute réimpression ou utilisation sans autorisation écrite du propriétaire.

All rights are reserved. Reproduction or use in third parties is not permitted without written authority from the proprietor.

Tous droits sont réservés. Toute réimpression ou utilisation sans autorisation écrite du propriétaire.



A

B

C

D

A

B

C

D