

THIS DRAWING IS UNPUBLISHED. RELEASED FOR PUBLICATION

© COPYRIGHT - By TE Connectivity

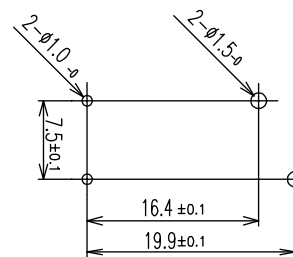
ALL RIGHTS RESERVED.

LOC HB DIST -

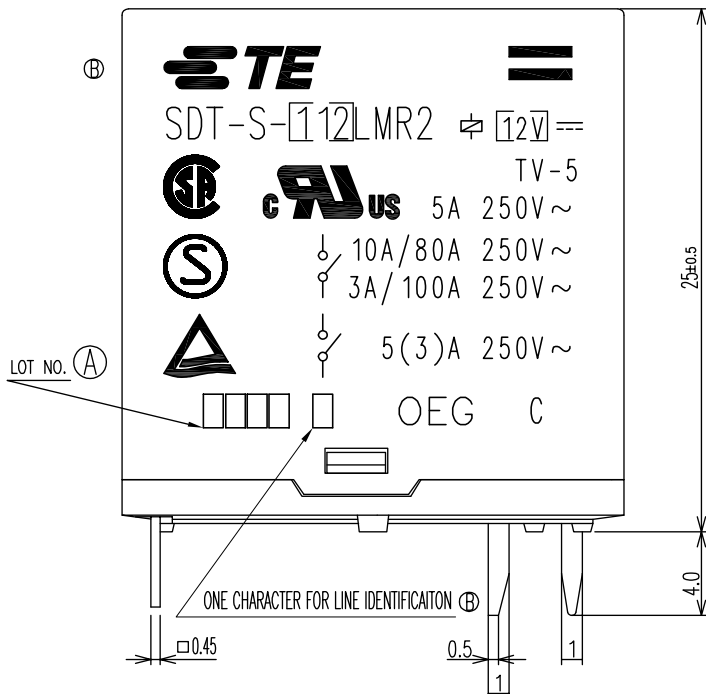
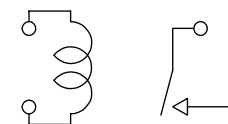
REVISIONS

P	LTR	DESCRIPTION	DATE	DWN	APVD
B		1.CHANGE LOGO2.ADD LINE IDENTIFICATIONS.TERMINALS TOLERANCE CLARIFICATION ECO-12-005305	26-MAR-12	YS.H	BH.Y
C		REACTIVE PN ECO-13-005804	21May2013	YS.H	BH.Y

DRILLING DIAGRAM BOTTOM VIEW (2/1)



CONNECTION DIAGRAM BOTTOM VIEW (2/1)



ONE CHARACTER FOR LINE IDENTIFICATION (B)

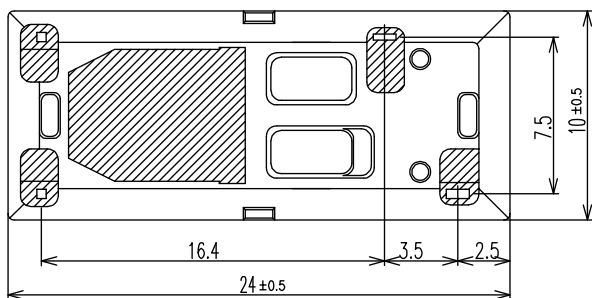


Diagram dimension	Tolerance
max. 1mm	±0.1mm
1 - 3mm	±0.2mm
min. 3mm	±0.3mm

NOTE (A) 1.LOT NO. SYSTEM AS FOLLOWING:



WEEK YEAR

(B) 2.TERMINAL DIMENSIONS BEFORE SOLDER DIP

(C) 3.FOR THE TIN-PLATING OF THE PINS: +0.1mm FOR WIDTH, THICKNESS AND DIAMETER +0.5mm FOR LENGTH

THIS DRAWING IS A CONTROLLED DOCUMENT.

DIMENSIONS: mm



TOLERANCES UNLESS OTHERWISE SPECIFIED:

0 PLC	± -
1 PLC	± -
2 PLC	± -
3 PLC	± -
4 PLC	± -
ANGLES	± -

MATERIAL

FINISH

DWN	K.Okada
CHK	H.Sasaki
APVD	A.Nagai
PRODUCT SPEC	-
APPLICATION SPEC	-
WEIGHT	-
CUSTOMER DRAWING	-

TE Connectivity

NAME SDT-LMR2 CUSTOMER DRAWING

SIZE	CAGE CODE	DRAWING NO	RESTRICTED TO
A3	00779	C-1461100	-

SCALE 4:1 SHEET 1 OF 2 REV C


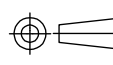
THIS DRAWING IS UNPUBLISHED. RELEASED FOR PUBLICATION
 © COPYRIGHT - By TE Connectivity ALL RIGHTS RESERVED.

LOC	DIST	REVISIONS			
P	LTR	DESCRIPTION	DATE	DWN	APVD
	-	SEE SHEET 1	-	-	-

	DESCRIPTION	TE PART NO	PRODUCT SPEC	DESCRIPTION	No.
Ⓢ	SDT-S-124LMR2	2-1440009-6	108-79452	STANDARD	f
Ⓢ	SDT-S-112LMR2	1440003	108-79451	STANDARD	e
Ⓢ	SDT-S-109LMR2	9-1419125-5	108-79450	STANDARD	d
Ⓢ	SDT-S-106LMR2	5-1440007-0	108-79449	STANDARD	c
Ⓢ	SDT-S-105LMR2	8-1419125-3	108-79448	STANDARD	b
Ⓢ	SDT-S-103LMR2	1461100-1	108-79447	STANDARD	a

RELAY TYPE

INCOMBUSTIBILITY	TREATMENT	MATERIAL	DESCRIPTION	ITEM
		EPOXY RESIN	SEAL (BASE & TERMINAL)	15
		EPOXY RESIN	SEAL (BASE & YOKE)	14
		3UEW	MAGNETIC WIRE	13
94V-0		P.B.T	CASE	12
94V-0		P.B.T	BOBBIN	11
	SOLDER DIP	C.P WIRE	COIL TERMINAL	10
94V-0		NYRON	CARD	9
		AgSnO	MOVABLE CONTACT	8
		AgSnO	NO.CONTACT	7
		STEEL	HINGE SPRING	6
	SOLDER DIP	Cu ALLOY	NO.TERMINAL	5
	SOLDER DIP	Cu ALLOY	MOVABLE SPRING	4
	NIP	STEEL	CORE	3
	NIP	STEEL	ARMATURE	2
	NIP	STEEL	YOKE	1

THIS DRAWING IS A CONTROLLED DOCUMENT.		DWN K.Okada	 TE Connectivity		
DIMENSIONS: mm		CHK H.Sasaki			
		APVD A.Nagai	NAME SDT-LMR2 CUSTOMER DRAWING		
TOLERANCES UNLESS OTHERWISE SPECIFIED:		PRODUCT SPEC -	DRAWING NO A300779 C-1461100		
0 PLC ± - 1 PLC ± - 2 PLC ± - 3 PLC ± - 4 PLC ± - ANGLES ± -		APPLICATION SPEC -	SIZE A3	CAGE CODE 00779	RESTRICTED TO -
MATERIAL -		FINISH -	WEIGHT -	DRAWING NO C-1461100	
CUSTOMER DRAWING			SCALE 4:1	SHEET 2 OF 2	REV C