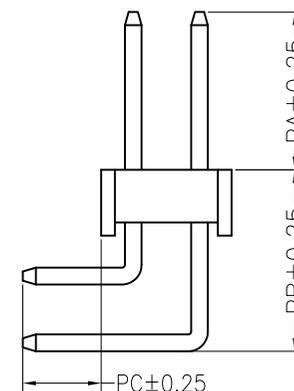
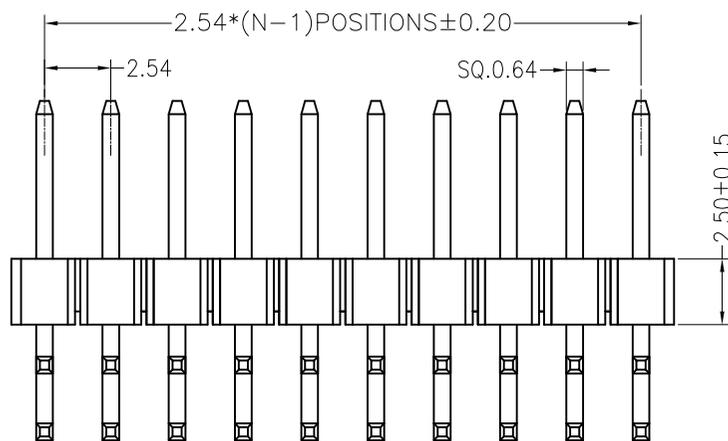
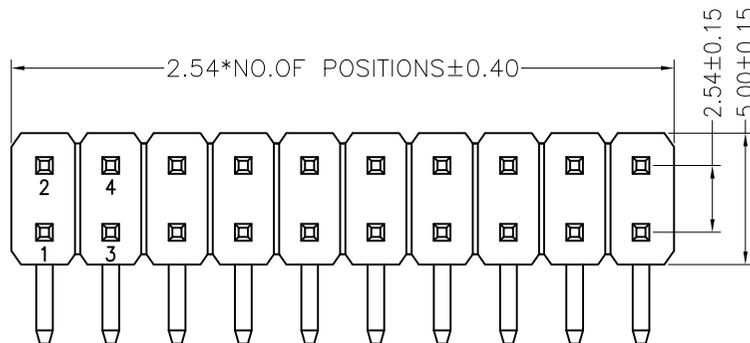
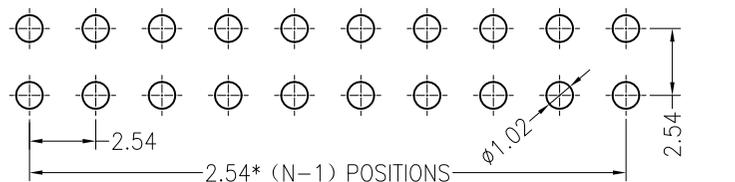


NOTES:

Voltage Rating:250V AC/DC
 Current Rating:3.0A AC/DC
 Dielectric Withstand Voltage:500V AC/minute
 Contact Voltage:20M Max.
 Insulation Voltage:1000M Min
 Operation temperature:-40 °C to +105 °C
 Insulator Material:Polyester.Ul94V-0
 Contact Material:Brass
 Contact Plating:AuorSn Plated on Nickel Overall

Recommended P.C.B Layout
 P.C.B Board Tolerance±0.05



塑胶高度可选 (mm)				常用
H	1.0	1.5	2.0	2.54

Dimension antitheses list				
item	PA	PB	PC	L
Standard	6.00	6.90	3.00	13.80/18.80
Alternate	---	---	---	---

				TOLERANCE UNLESS OTHERWISE		DRAWN	CK tan	XFCN兴飞连接器有限公司 CONNECTORS XFCN CONNECTORS CO., LTD.		SHEET	1/1	
				X.	±0.30	X°	±5°			CHKD	DATE	2010. 4. 12
				.X	±0.20	.X°	±2°	APPD	PRODUCT NAME	2.54mm Pin Header Connectors		
				.XX	±0.08	.XX°	±1°	VIEW	PART. NO.	PZ254R-12-XX	SCALE	1:1
				.XXX	±0.03	.XXX°	±0.5°				DWG. NO.	009
AO	MODIFICATION			DRAW	DATE							