

Frequency Generator and Integrated Buffer for PENTIUM™

General Description

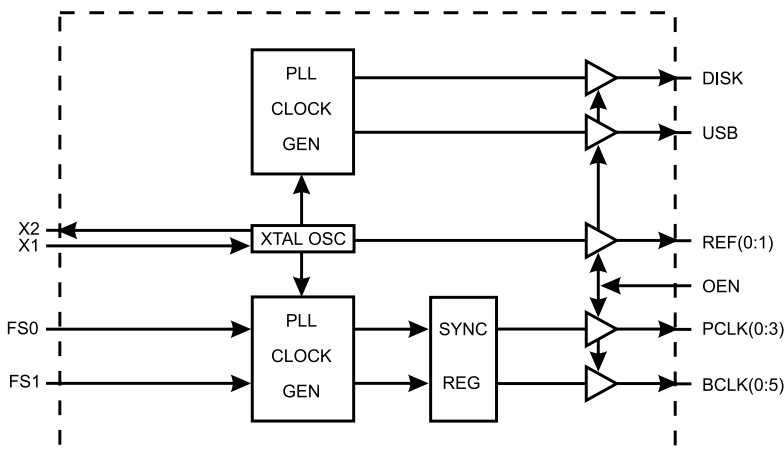
The ICS9159-14 generates all clocks required for high speed RISC or CISC microprocessor systems such as 486, Pentium, PowerPC,™ etc. Four different reference frequency multiplying factors are externally selectable with smooth frequency transitions. These multiplying factors can be customized for specific applications.

High drive BCLK outputs provide typically greater than 1V/ns slew rate into 30pF loads. PCLK outputs provide typically better than 1V/ns slew rate into 20pF loads while maintaining ±5% duty cycle.

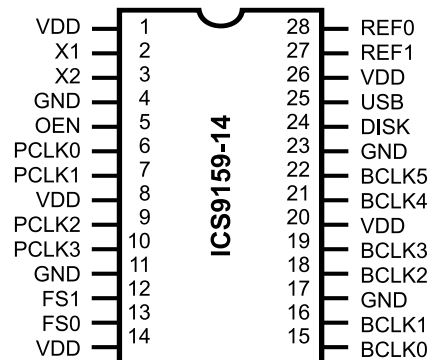
Features

- Generates up to four processor and six bus clocks, plus disk, USB and reference clocks
- Synchronous clocks skew matched to 250ps window on PCLKs and 500ps window on BCLKs
- 3.0V - 5.5V supply range
- 28-pin SOIC package

Block Diagram



Pin Configuration



28-Pin SOIC

Functionality

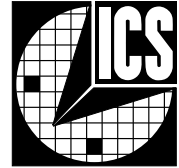
FS1	FS0	*VCO	X1, REF (MHz)	CPU (MHz)
0	0	118/17 x X1	14.318	50 (49.7)
0	1	65/7 x X1	14.318	66.6 (66.5)
1	0	92/11 x X1	14.318	60 (59.9)
1	1	69/9 x X1	14.318	55 (54.9)

*VCO range is limited from 60 - 200 MHz.

PCLK(0:3)	BCLK(0:5)	USB	DISK
VCO/2	PCLK/2	48 MHz	24 MHz

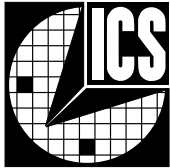
All frequencies in MHz, assuming 14.318 MHz input.

Pentium is a trademark of Intel Corporation.
PowerPC is a trademark of Motorola Corporation.



Pin Descriptions

PIN NUMBER	PIN NAME	TYPE	DESCRIPTION
1, 8, 26	VDD	PWR	Power for logic, CPU and fixed frequency output buffers.
2	X1	IN	XTAL or external reference frequency input. This input includes XTAL load capacitance and feedback bias for a 12 - 16 MHz crystal, nominally 14.31818 MHz.
3	X2	OUT	XTAL output which includes XTAL load capacitance.
4, 11, 23	GND	PWR	Ground for logic, CPU and fixed frequency output buffers.
6, 7, 9, 10	PCLK(0:3)	OUT	Processor clock outputs which are a multiple of the input reference frequency as shown in the table above.
13, 12	FS(0:1)	IN	Frequency multiplier select pins. See table above. These inputs have internal pull-up devices.
14, 20	VDD	PWR	Power for BCLK output buffers.
15, 16, 18 19, 21, 22	BCLK(0:5)	OUT	Bus clock outputs are fixed at one half the PCLK frequency.
17	GND	PWR	Ground for BCLK output buffers.
5	OEN	IN	OEN tristates all outputs when low. This input has an internal pull-up device. 24 DISK OUT The DISK controller clock is fixed at 24 MHz (with 14.318 MHz input).
25	USB	OUT	The USB clock is fixed at 48 MHz (with 14.318 MHz input).
28, 27	REF(0:1)	OUT	REF is a buffered copy of the crystal oscillator or reference input clock, nominally 14.31818 MHz.



Absolute Maximum Ratings

- Supply Voltage 7.0 V
- Logic Inputs GND -0.5 V to V_{DD} +0.5 V
- Ambient Operating Temperature 0°C to +70°C
- Storage Temperature -65°C to +150°C

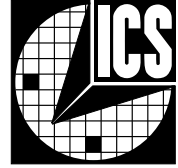
Stresses above those listed under Absolute Maximum Ratings may cause permanent damage to the device. These ratings are stress specifications only and functional operation of the device at these or any other conditions above those listed in the operational sections of the specifications is not implied. Exposure to absolute maximum rating conditions for extended periods may affect product reliability.

Electrical Characteristics at 3.3V

V_{DD} = 3.0 – 3.7 V, T_A = 0 – 70°C unless otherwise stated

DC Characteristics						
PARAMETER	SYMBOL	TEST CONDITIONS	MIN	TYP	MAX	UNITS
Input Low Voltage	VIL		-	-	0.2VDD	V
Input High Voltage	VIH		0.7VDD	-	-	V
Input Low Current	IIL	VIN=0V	-28.0	-10.5	-	mA
Input High Current	IIH	VIN=VDD	-5.0	-	5.0	mA
Output Low Current ¹	IOL	VOL=0.8V; for CPUs & BUSes	30.0	47.0	-	mA
Output High Current ¹	IOH	VOH=2.0V; for CPUs & BUSes	-	-66.0	-42.0	mA
Output Low Current ¹	IOL	VOL=0.8V; for fixed CLKs	25.0	38.0	-	mA
Output High Current ¹	IOH	VOH=2.0V; for fixed CLKs	-	-47.0	-30.0	mA
Output Low Voltage ¹	VOL	IOL=15mA; for CPUs & BUSes	-	0.3	0.4	V
Output High Voltage ¹	VOH	IOH=-30mA; for CPUs & BUSes	2.4	2.8	-	V
Output Low Voltage ¹	VOL	IOL=12.5mA; for fixed CLKs	-	0.3	0.4	V
Output High Voltage ¹	VOH	IOH=-20mA; for fixed CLKs	2.4	2.8	-	V
Supply Current	IDD	@66.5 MHz; all outputs unloaded	-	55	110	mA

Note 1: Parameter is guaranteed by design and characterization. Not 100% tested in production.

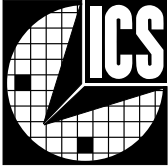


Electrical Characteristics at 3.3V

$V_{DD} = 3.1 - 3.7V$, $T_A = 0 - 70^\circ C$

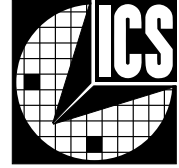
AC Characteristics						
PARAMETER	SYMBOL	TEST CONDITIONS	MIN	TYP	MAX	UNITS
Rise Time ¹	Tr1	20pF load, 0.8 to 2.0V CPU & BUS	-	0.9	1.5	ns
Fall Time ¹	Tf1	20pF load, 2.0 to 0.8V CPU & BUS	-	0.8	1.4	ns
Rise Time ¹	Tr2	20pF load, 20% to 80% CPU & BUS	-	1.5	2.5	ns
Fall Time ¹	Tf2	20pF load, 80% to 20% CPU & BUS	-	1.4	2.4	ns
Duty Cycle ¹	Dt	20pF load @ VOUT=1.4V	45	50	55	%
Jitter, One Sigma ¹	Tj1s1	CPU & BUS Clocks; Load=20pF, FOUT>25 MHz	-	50	150	ps
Jitter, Absolute ¹	Tjab1	CPU & BUS Clocks; Load=20pF, FOUT>25 MHz	-250	-	250	ps
Jitter, One Sigma ¹	Tj1s2	Fixed CLK; Load=20pF	-	1	3	%
Jitter, Absolute ¹	Tjab2	Fixed CLK; Load=20pF	-5	2	5	%
Input Frequency ¹	Fi		12.0	14.318	16.0	MHz
Logic Input Capacitance ¹	CIN	Logic input pins	-	5	-	pF
Crystal Oscillator Capacitance ¹	CINX	X1, X2 pins	-	18	-	pF
Power-on Time ¹	ton	From VDD=1.6V to 1st crossing of 66.5 MHz VDD supply ramp < 40ms	-	2.5	4.5	ms
Frequency Settling Time ¹	ts	From 1st crossing of acquisition to < 1% settling	-	2.0	4.0	ms
Clock Skew Window ¹	Tsk1	CPU to CPU; Load=20pF; @1.4V	-	150	250	ps
Clock Skew Window ¹	Tsk2	BUS to BUS; Load=20pF; @1.4V	-	300	500	ps
Clock Skew Window ¹	Tsk3	CPU to BUS; Load=20pF; @1.4V	1	2.6	5	ns

Note 1: Parameter is guaranteed by design and characterization. Not 100% tested in production.

**Electrical Characteristics at 5.0V** $V_{DD} = 4.5 - 5.5 \text{ V}$, $T_A = 0 - 70^\circ \text{ C}$

DC Characteristics						
PARAMETER	SYMBOL	TEST CONDITIONS	MIN	TYP	MAX	UNITS
Input Low Voltage	VIL		-	-	0.8	V
Input High Voltage	VIH		2.4	-	-	V
Input Low Current	IIL	VIN=0V	-45	-15	-	μA
Input High Current	IIH	VIN=VDD	-5.0	-	5.0	μA
Output Low Current ¹	IOL	VOL=0.8V; for CPUs & BUSes	36.0	62.0	-	mA
Output High Current ¹	IOH	VOL=2.0V; for CPUs & BUSes	-	-152	-90.0	mA
Output Low Current ¹	IOL	VOL=0.8V; for fixed CLKs	30.0	50.0	-	mA
Output High Current ¹	IOH	VOL=2.0V; for fixed CLKs	-	-110.0	-65.0	mA
Output Low Voltage ¹	VOL	IOL=20mA; for CPUs & BUSes	-	0.25	0.4	V
Output High Voltage ¹	VOH	IOH=-70mA; for CPUs & BUSes	2.4	4.0	-	V
Output Low Voltage ¹	VOL	IOL=15mA; for fixed CLKs	-	0.2	0.4	V
Output High Voltage ¹	VOH	IOH=-50mA; for fixed CLKs	2.4	4.7	-	V
Supply Current	IDD	@66.5 MHz; all outputs unloaded	-	80.0	160.0	mA

Note 1: Parameter is guaranteed by design and characterization. Not 100% tested in production.

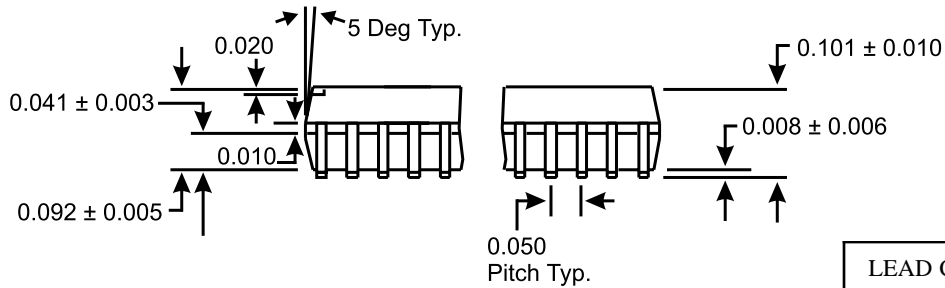
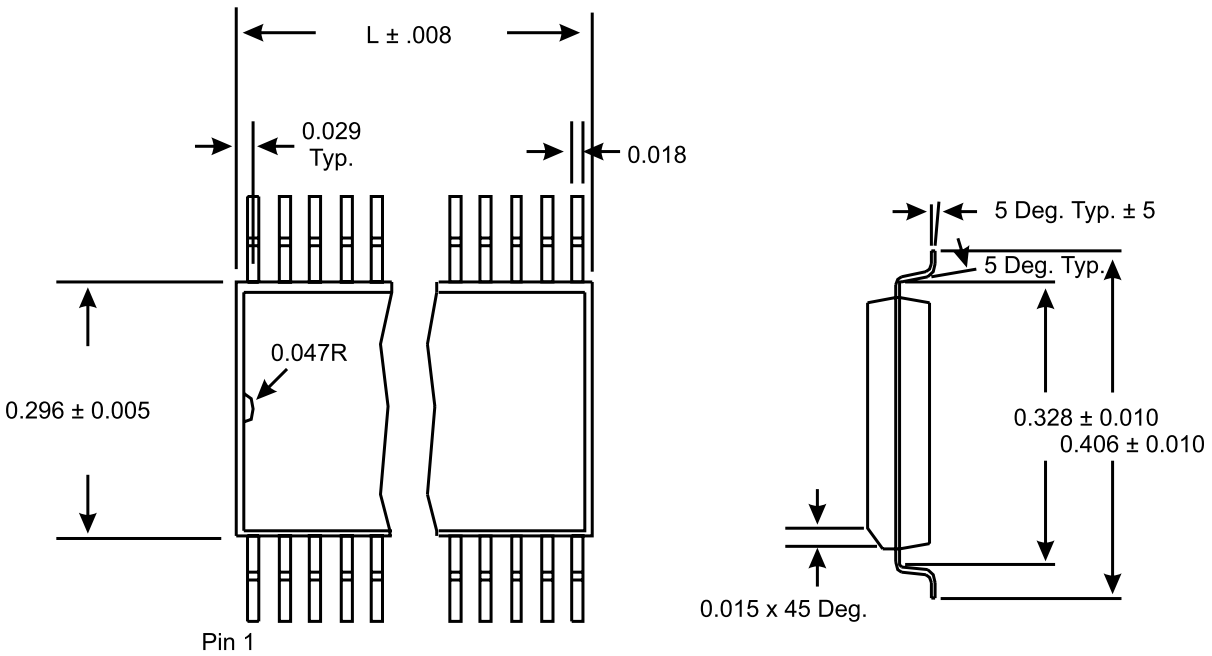
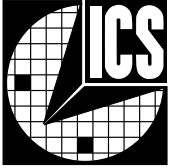


Electrical Characteristics at 5.5V

$V_{DD} = 4.5 - 5.5 \text{ V}$, $T_A = 0 - 70^\circ \text{ C}$

AC Characteristics						
PARAMETER	SYMBOL	TEST CONDITIONS	MIN	TYP	MAX	UNITS
Rise Time ¹	Tr1	20pF load, 0.8 to 2.0V CPU & BUS	-	0.55	0.95	ns
Fall Time ¹	Tf1	20pF load, 2.0 to 0.8V CPU & BUS	-	0.52	0.90	ns
Rise Time ¹	Tr2	20pF load, 20% to 80% CPU & BUS	-	1.2	2.1	ns
Fall Time ¹	Tf2	20pF load, 80% to 20% CPU & BUS	-	1.1	2.0	ns
Duty Cycle ¹	Dt1	20pF load @ $V_{OUT}=1.4\text{V}$	52	57	62	%
Duty Cycle ¹	Dt2	20pF load @ $V_{OUT}=50\%$	45	50	55	%
Jitter, One Sigma ¹	Tj1s1	CPU & BUS Clocks; Load=20pF, RS=33Ω FOUT>25 MHz	-	50	150	ps
Jitter, Absolute ¹	Tjab1	CPU & BUS Clocks; Load=20pF, RS=33Ω FOUT>25 MHz	-250	-	250	ps
Jitter, One Sigma ¹	Tj1s2	REF CLKs; Load=20pF RS=33W	-	1	3	%
Jitter, Absolute ¹	Tjab2	REF CLKs; Load=20pF RS=33W	-5	2	5	%
Input Frequency ¹	Fi		12.0	14.318	16.0	MHz
Logic Input Capacitance ¹	CIN	Logic input pins	-	5	-	pF
Crystal OscillatorCapacitance ¹	CINX	X1, X2 pins	-	18	-	pF
Power-on Time ¹	ton	From VDD=1.6V to 1 st crossing of 66.5 MHz VDD supply ramp < 40ms	-	2.5	4.5	ms
Frequency Settling Time ¹	ts	From 1st crossing of acquisition to < 1% settling	-	2.0	4.0	ms
Clock Skew Window ¹	Tsk1	CPU to CPU; Load=20pF; @1.4V	-	150	250	ps
Clock Skew Window ¹	Tsk2	BUS to BUS; Load=20pF; @1.4V	-	300	500	ps
Clock Skew Window ¹	Tsk3	CPU & BUS; Load=20pF; @1.4V	1	2.6	5	ns

Note 1: Parameter is guaranteed by design and characterization. Not 100% tested in production.



LEAD COUNT	28L
DIMENSIONL	0.704

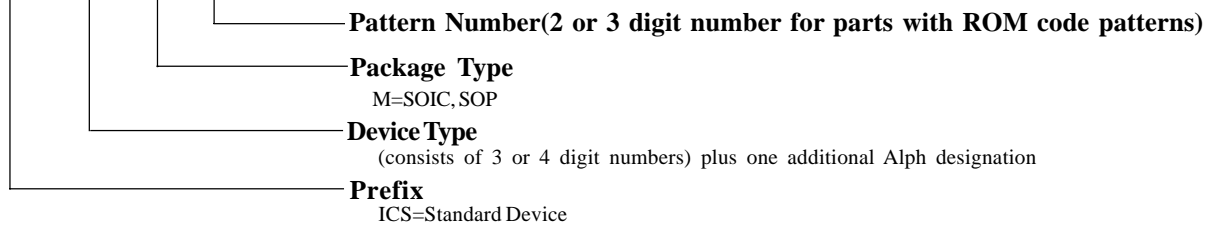
SOIC Package

Ordering Information

ICS9159M-14

Example:

ICS XXXX M-PPP



ICS reserves the right to make changes in the device data identified in this publication without further notice. ICS advises its customers to obtain the latest version of all device data to verify that any information being relied upon by the customer is current and accurate.