

**PLEASE CHECK WWW.MOLEX.COM FOR LATEST PART INFORMATION**

**Part Number:** [0354301700](#)  
**Status:** **Active**  
**Description:** 6.00mm (.236") Tab Wire-to-Wire Terminal, Female, Two-Piece Type, Wire Range AVC (CAVC) 0.3-0.5mm square (.012-.020")

**Documents:**

[Drawing \(PDF\)](#) [Product Specification PS-35385-001 \(PDF\)](#)  
[Product Specification PS-35270-001 \(PDF\)](#) [RoHS Certificate of Compliance \(PDF\)](#)

**General**

Product Family Crimp Terminals  
 Series [35430](#)  
 Crimp Quality Equipment Yes  
 Product Name N/A

**Physical**

Gender Female  
 Material - Metal Copper-Nickel-Tin, High Copper  
 Material - Plating Mating Tin  
 Material - Plating Termination Tin  
 Packaging Type Reel  
 Plating min: Mating (µin) 32.00  
 Plating min: Mating (µm) 0.800  
 Plating min: Termination (µin) 32.00  
 Plating min: Termination (µm) 0.80  
 Termination Interface: Style Crimp or Compression  
 Wire Insulation Diameter 1.80-2.00mm (.071-.079")  
 Wire Size AWG 20, 22  
 Wire Size mm<sup>2</sup> N/A

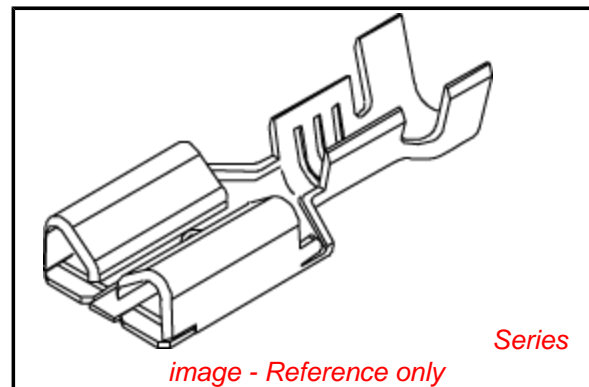
**Electrical**

Current - Maximum per Contact 30A

**Material Info**

**Reference - Drawing Numbers**

Product Specification PS-35270-001, PS-35385-001  
 Sales Drawing SD-35430-001



**EU RoHS**

**ELV and RoHS Compliant**  
**REACH SVHC Contains SVHC: No**  
**Halogen-Free Status**

**China RoHS**



**Need more information on product environmental compliance?**

Email [productcompliance@molex.com](mailto:productcompliance@molex.com)  
 For a multiple part number RoHS Certificate of Compliance, [click here](#)

Please visit the [Contact Us](#) section for any non-product compliance questions.

**Search Parts in this Series**

[35430Series](#)

**Mates With**

[35725 Terminal](#)

**Use With**

[35270 Housing](#)

DWG. NO. SD-35430-001

SIMILAR ITEM

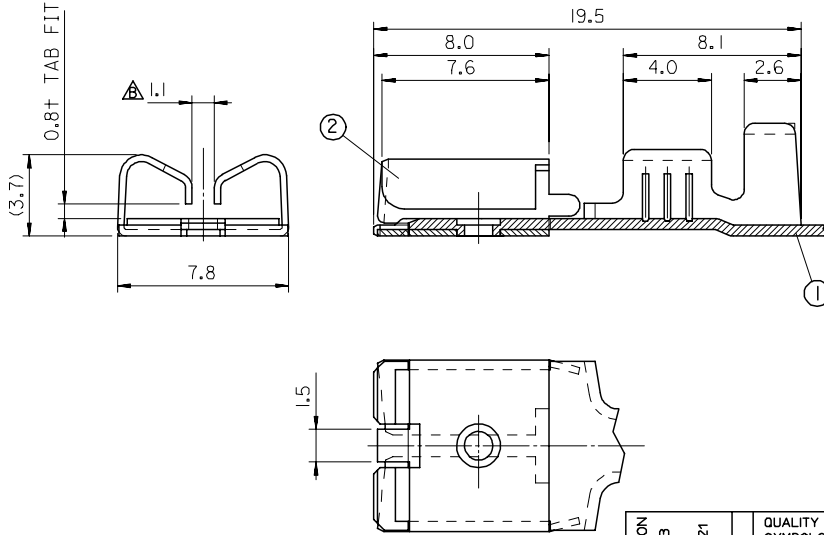
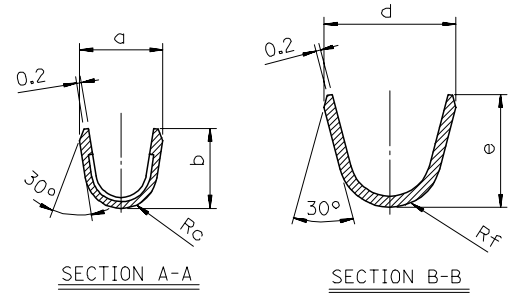
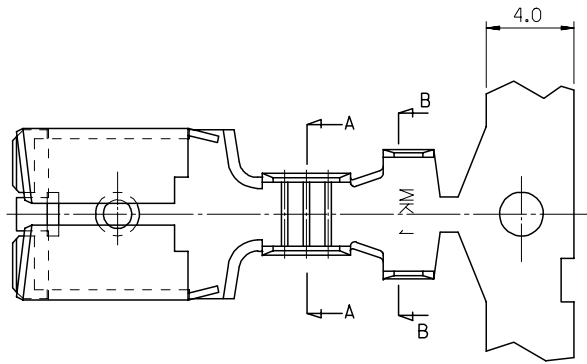
PROJECT NO.

B

DO NOT SCALE DRAWING DIMENSION IN METRIC

8 7 6 5 4 3 2 1

F  
E  
D  
C  
B  
A  
KOREA MX-A3



PART NO.		a	b	Rc	d	e	Rf	WIRE RANGE (mm <sup>2</sup> )	Q'TY/REEL
35430-1700	S	3.1	3.0	1.0	4.1	4.0	1.6	0.3 ~ 0.5	
-1800	M	3.5	3.5	1.6	5.5	5.2	2.3	0.85 ~ 1.25	
-1900	L	5.5	4.8	2.1	6.6	6.5	2.6	2.0 ~ 3.0	

	PART NO.	PART NAME	MATERIAL	FINISH
①	35428-6702 -6802 -6902	POWERMATE FEMALE TER'L-BODY (S,M,L)	COPPER ALLOY 0.5†	PRE-TIN PLATING
②	35429-6000	POWERMATE FEMALE TER'L-CONTACT	COPPER ALLOY 0.3†	UNPLATING

CHANGED OF DIMENSION ECN NO. KOR2006-0103 DRWN: EDKIM 06/02/21 CHK: BC.YOON 06/02/21 APPR:SH-CHOI 06/02/21	QUALITY SYMBOLS MAJOR CRITICAL	GENERAL TOLERANCES: (UNLESS SPECIFIED)		SCALE 5:1	DESIGN UNITS <input checked="" type="checkbox"/> mm <input type="checkbox"/> INCH	THIRD ANGLE PROJECTION <input checked="" type="checkbox"/> <input type="checkbox"/>	DIMENSIONS: <input type="checkbox"/> mm <input type="checkbox"/> INCH <input checked="" type="checkbox"/> mm ONLY	SHT	REV		
		4 PLACES ±0. ±-	3 PLACES ±0. ±-	2 PLACES ±0. ±-	1 PLACE ±0.3 ±-	ANGULAR: ± 3 °	TITLE: POWERMATE FEMALE TER'L 2 PIECE(S,M,L)				
		DRAFT WHERE APPLICABLE MUST REMAIN WITHIN DIMENSIONS		THIS DRAWING CONTAINS INFORMATION THAT IS PROPRIETARY TO MOLEX INCORPORATED AND SHOULD NOT BE USED WITHOUT WRITTEN PERMISSION.		CAD FILENAME SD35430.MI		MATERIAL NO. SEE TABLE		DRAWING NO. SD-35430-001	
						SHEET NO. 1/1		SIZE B			

MATERIAL		SEE TABLE	
GENERAL TOLERANCE		DIMENSION : *0.3	
ANGLE :		DRAWN BY	CHK'D BY
DIMENSION CLASSIFICATION		961013	J.K.OH
▽ : CRITICAL ( ) : REFERENCE		APP'D BY	SCALE 5:1
A NEW RELEASE	971129	TITLE: POWERMATE FEMALE TER'L 2PIECE(S,M,L)	
LTR REVISION RECORD	ECN DATE	ASS'Y PART DESCRIPTION	ENG. NO.
REVISE ONLY ON CAD SYSTEM		ENG. NO. SD 35430-1700,1800,1900	
		SHEET 1/1	
		REV A	