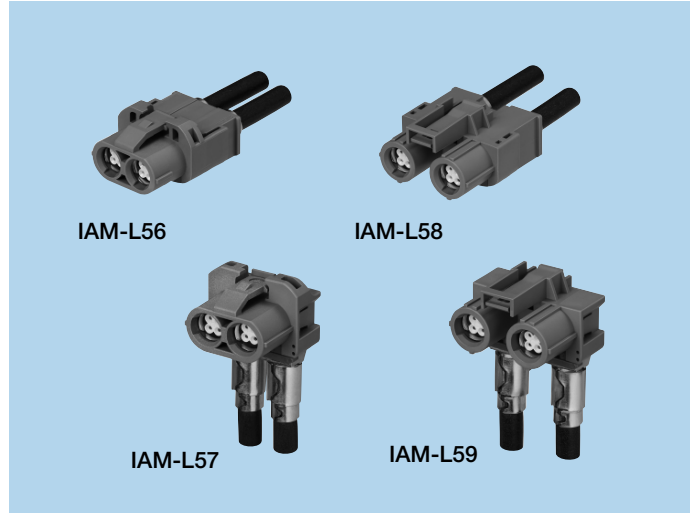


# HSD Cable Connectors (Double)

## IAM-L56, L57, L58, L59

### FEATURES

1. Capable of high speed data transmission such as USB2.0, LVDS, and Ethernet, etc.
2. Selectable variations of mounting requirements. (Straight type / Angle type.)
3. Each coding (mating key) is available.
4. Compliant with RoHS Directive.



### HOW TO ORDER

1. IAM-L56

**L56 - 008 - 230 - ANBAA - □**  
1            2            3            4

- 1 Series No. (L56)
- 2 No. of contacts (008 : 8pins)
- 3 Product Number
- 4 Coding (A to F, Z)

2. IAM-L57

**L57 - 008 - 230 - ANBAA - □**  
1            2            3            4

- 1 Series No. (L57)
- 2 No. of contacts (008 : 8pins)
- 3 Product Number
- 4 Coding (A to F, Z)

3. IAM-L58

**L58 - 008 - 230 - ANBAA - □**  
1            2            3            4

- 1 Series No. (L58)
- 2 No. of contacts (008 : 8pins)
- 3 Product Number
- 4 Coding (A to F, Z)

4. IAM-L59

**L59 - 008 - 230 - ANBAA - □**  
1            2            3            4

- 1 Series No. (L59)
- 2 No. of contacts (008 : 8pins)
- 3 Product Number
- 4 Coding (A to F, Z)

• Any products mentioned in this catalog are subject to any modification in their appearance and others for improvements without prior notification.  
 • The details listed here are not a guarantee of the individual products at the time of ordering. When using the products, you will be asked to check their specifications.

## SPECIFICATIONS

### ELECTRICAL CHARACTERISTICS

#### IAM-L56/L58 (Straight type)

Rated Voltage	100V DC
Rated Current	1.5A DC
Characteristic Impedance	100Ω
Insertion Loss	≤0.1dB to 1GHz
Return Loss	≤-20dB to 1GHz ≤-17dB to 2GHz

#### IAM-L57/L59 (Angle type)

Rated Voltage	100V DC
Rated Current	1.5A DC
Characteristic Impedance	100Ω
Insertion Loss	≤0.01dB to 500MHz
Return Loss	≤-25dB to 100MHz ≤-15dB to 500MHz ≤-10dB to 1GHz

### MECHANICAL CHARACTERISTICS

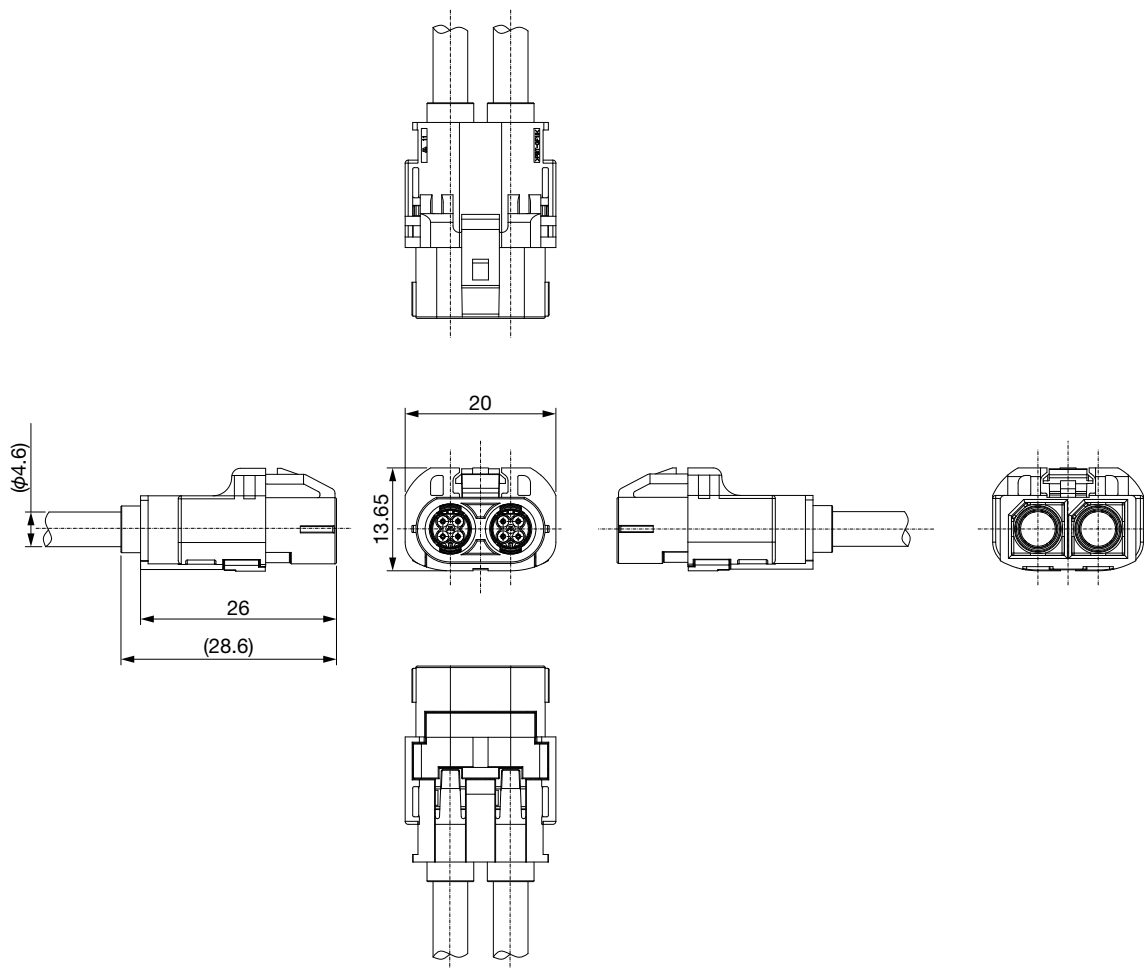
Life (Mating Cycle)	25 times
Total Insertion Force	≤30N
Total Withdrawal Force	5N to 25N

## MATERIAL & FINISH

Component Parts		Material	Finish
IAM-L56 Straight	Signal Pin	Copper alloy	Gold selective plating
	Insulator	LCP resin	Black
	Coded Housing	PBT resin	Corresponds to each coding
	Secondary Lock	PBT resin	Pink
	Outer Conductor	Zinc alloy	Ni plating
	Spring Basket	Copper alloy	Ni plating
	Support Crimp	Copper alloy	Tin reflow plating
IAM-L57 Angle	Signal Pin	Copper alloy	Gold selective plating
	Insulator	LCP resin	Black
	Coded Housing	PBT resin	Corresponds to each coding
	Secondary Lock	PBT resin	Pink
	Outer Conductor	Zinc alloy	Ni plating
	Spring Basket	Copper alloy	Ni plating
	Support Crimp	Copper alloy	Tin reflow plating
	Press Cap	Copper alloy	Tin reflow plating
IAM-L58 Straight	Signal Pin	Copper alloy	Gold selective plating
	Insulator	LCP resin	Black
	Coded Housing	PBT resin	Corresponds to each coding
	Secondary Lock	PBT resin	Pink
	Outer Conductor	Zinc alloy	Ni plating
	Spring Basket	Copper alloy	Ni plating
	Support Crimp	Copper alloy	Tin reflow plating
IAM-L59 Angle	Signal Pin	Copper alloy	Gold selective plating
	Insulator	LCP resin	Black
	Coded Housing	PBT resin	Corresponds to each coding
	Secondary Lock	PBT resin	Pink
	Outer Conductor	Zinc alloy	Ni plating
	Spring Basket	Copper alloy	Ni plating
	Support Crimp	Copper alloy	Tin reflow plating
	Press Cap	Copper alloy	Tin reflow plating

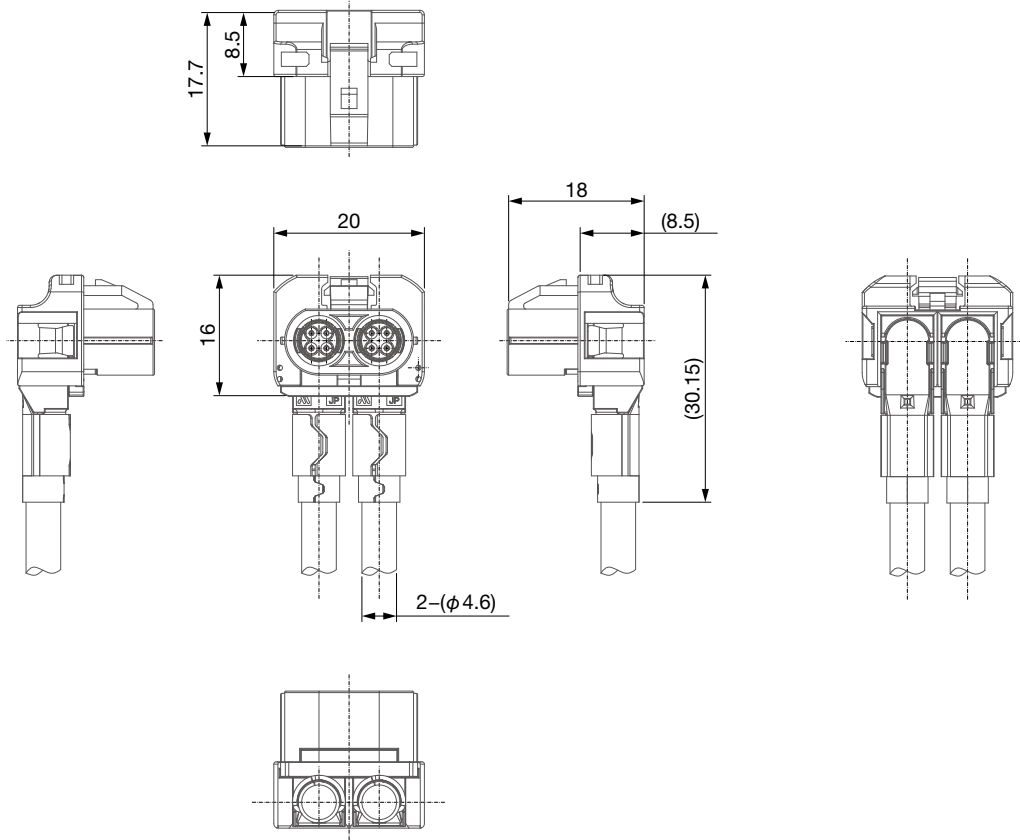
## DIMENSIONS

IAM-L56



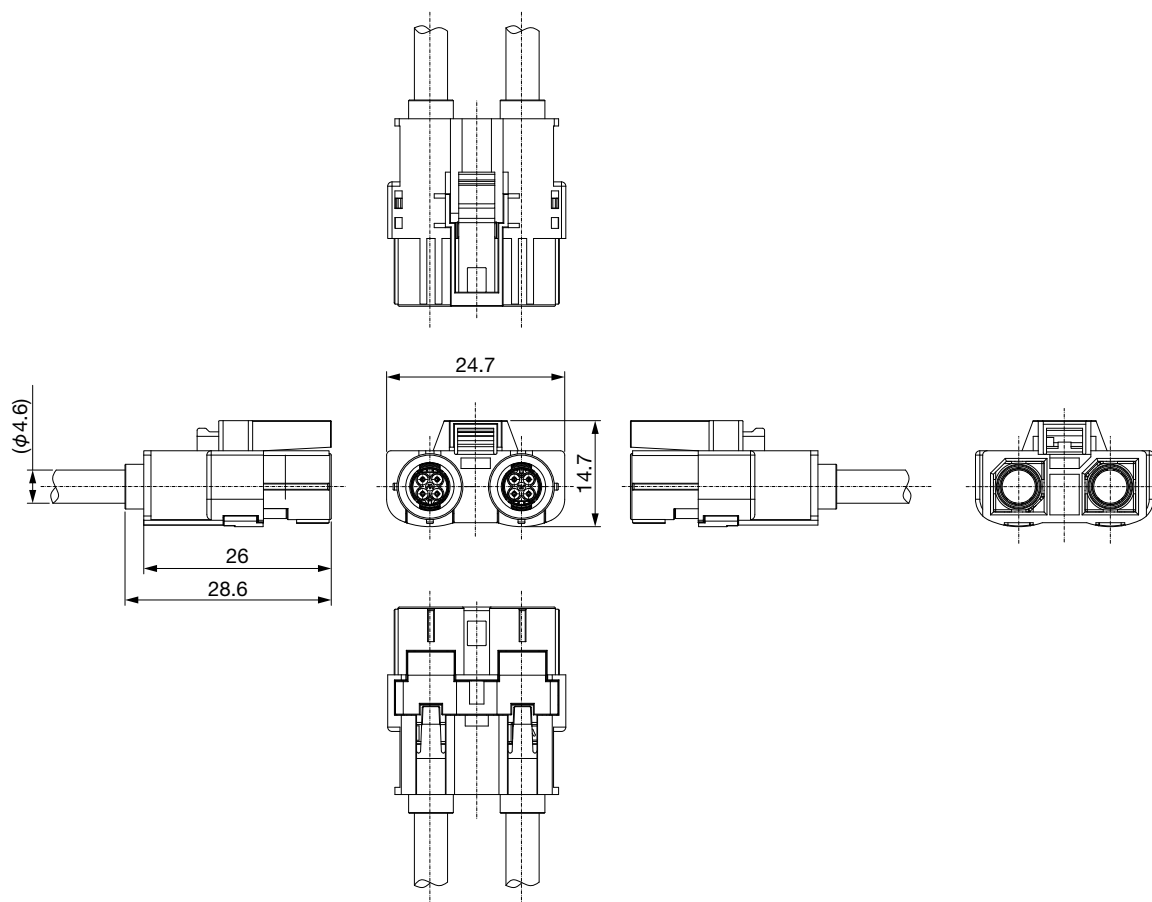
Unit : mm

IAM-L57



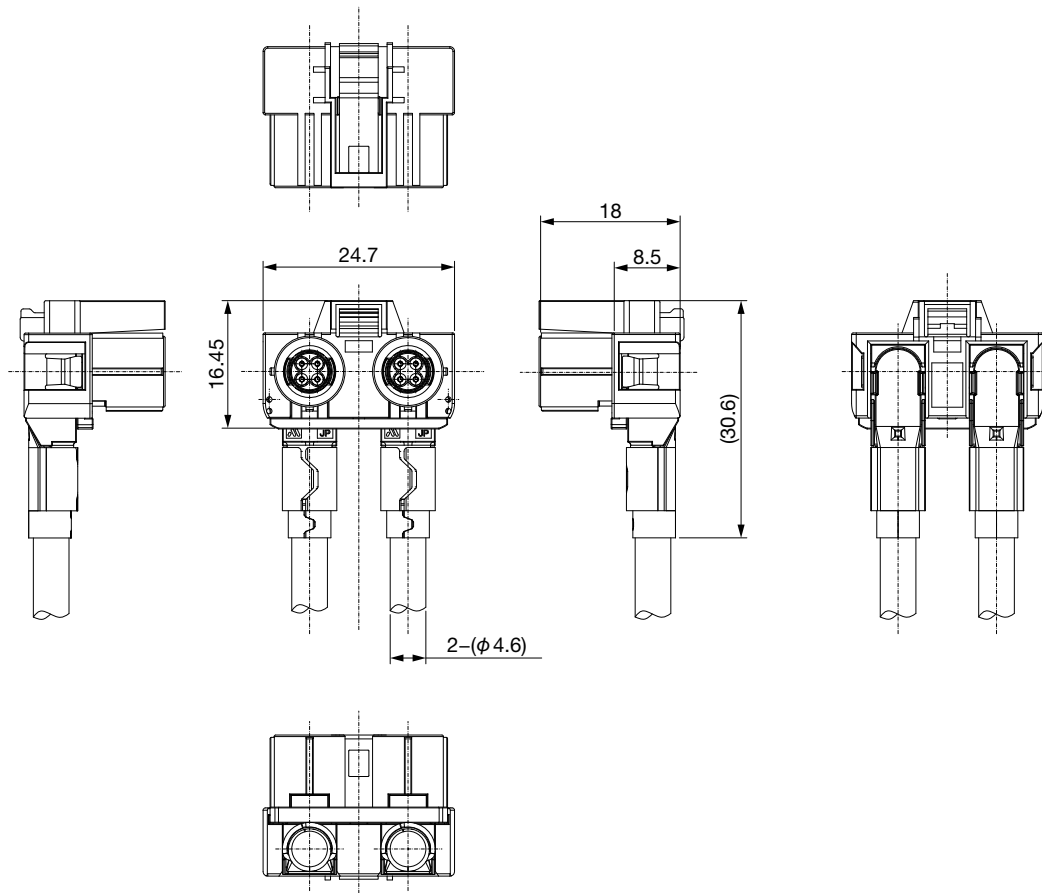
Unit : mm

IAM-L58



Unit : mm

IAM-L59



Unit : mm