

PLEASE CHECK WWW.MOLEX.COM FOR LATEST PART INFORMATION

Part Number: [0039285104](#)
Status: **Active**
Description: 2.54mm (.100") Pitch QF-50™, Right Angle, Dual Row, Single Polarization, Shrouded Header, 10 Circuits

Documents:

[3D Model](#) [Product Specification PS-5320-006 \(PDF\)](#)
[Drawing \(PDF\)](#) [RoHS Certificate of Compliance \(PDF\)](#)
[Product Specification PS-5320-005 \(PDF\)](#)

Agency Certification

UL E29179

General

Product Family Ribbon Cable / Wire Trap Connectors
 Series [5342](#)
 Component Type PCB Header
 Glow-Wire Compliant No
 Product Name QF-50™

Physical

Circuits (Loaded) 10
 Entry Angle 90° Angle
 Flammability 94V-0
 Lock to Mating Part None
 Material - Metal Brass
 Material - Plating Mating Tin
 Material - Plating Termination Tin
 Number of Rows 2
 PCB Retention None
 PCB Thickness Recommended (in) 0.063 In
 PCB Thickness Recommended (mm) 1.60 mm
 Packaging Type Tray
 Pitch - Mating Interface (in) 0.100 In
 Pitch - Mating Interface (mm) 2.54 mm
 Polarized to Mating Part Yes
 Polarized to PCB No
 Shrouded Yes
 Stackable No
 Surface Mount Compatible (SMC) No
 Temperature Range - Operating -40°C to +105°C
 Wire Insulation Diameter N/A
 Wire Size AWG N/A
 Wire/Cable Type Ribbon Cable

Electrical

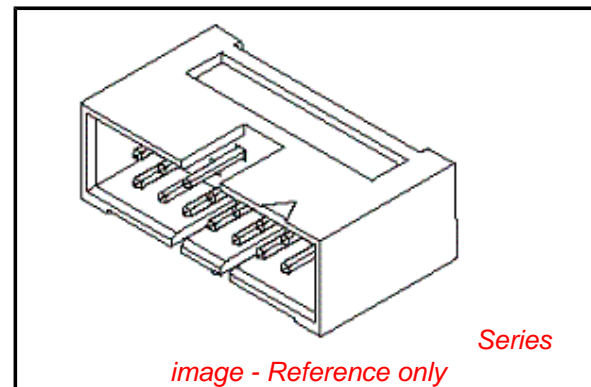
Current - Maximum per Contact 1A
 Voltage - Maximum 250V

Material Info

Old Part Number 5342-10T2

Reference - Drawing Numbers

Product Specification PS-5320-005, PS-5320-006
 Sales Drawing SD-5342-001, SD-5342-002



EU RoHS

**ELV and RoHS
 Compliant**
**REACH SVHC
 Contains SVHC: No**
**Halogen-Free
 Status**

China RoHS



**Need more information on product
 environmental compliance?**

Email productcompliance@molex.com
 For a multiple part number RoHS Certificate of
 Compliance, [click here](#)

Please visit the [Contact Us](#) section for any
 non-product compliance questions.

Search Parts in this Series

[5342Series](#)

Mates With

[5320](#)

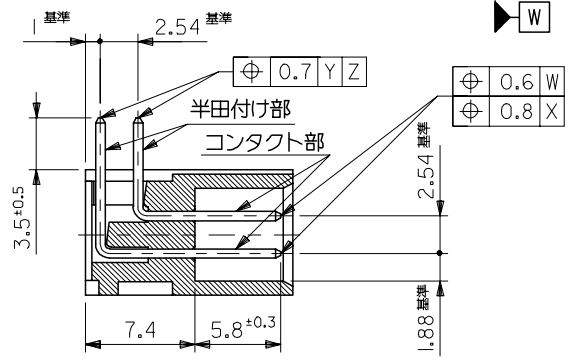
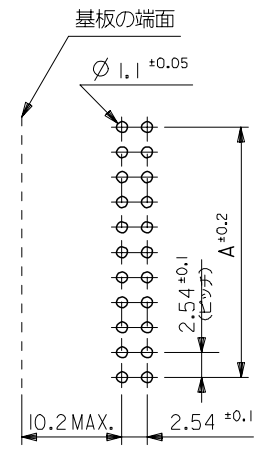
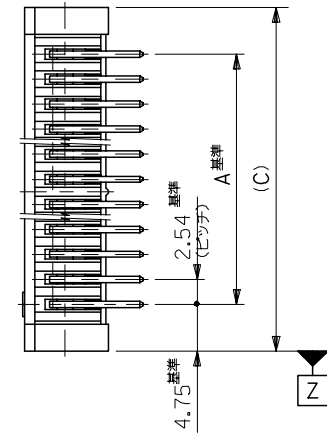
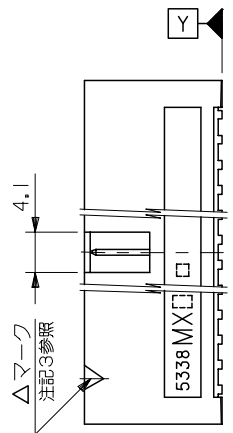
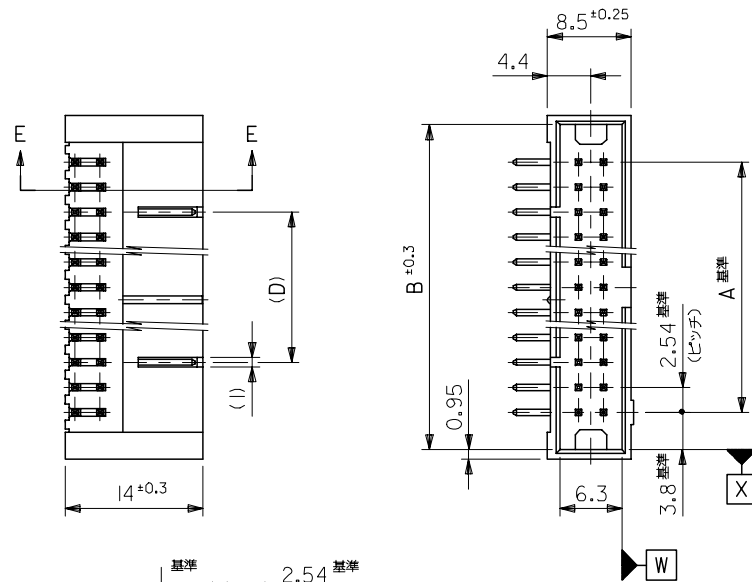
This document was generated on 05/03/2010

PLEASE CHECK WWW.MOLEX.COM FOR LATEST PART INFORMATION

10 9 8 7 6 5 4 3 2 1

F
E
D
C
B
A

F
E
D
C
B
A



SECT. E-E (SCALE 3-1)

注記

1. 材料 ウエハー : ガラス繊維 15% 入り PBTP (UL94V-0), 黒色
ピン : 黄銅, サイズ □0.635
2. 嵌合相手 : 5320 シリーズ
3. 使用符号の説明

5342 - N *
 ベースナンバー _____
 極数 _____
 ピンのメッキコード _____

	コード:*	△マークの色	コンタクト部	半田付け部	下地メッキ
	GS1	黄	金 0.1µm MIN.	半田 3µm MIN.	ニッケル 1µm MIN.
LEAD-FREE	GS17F	黄	金 0.1µm MIN.	錫 1µm MIN.	ニッケル 1µm MIN.
LEAD-FREE	T2	黒		錫 1µm MIN.	ニッケル 0.5µm MIN.

60	73.66	81.26	83.16	63.50
50	60.96	68.56	70.46	50.80
40	48.26	55.86	57.76	38.10
34	40.64	48.24	50.14	30.48
30	35.56	43.16	45.06	25.40
26	30.48	38.08	39.98	—
20	22.86	30.46	32.36	—
16	17.78	25.38	27.28	—
14	15.24	22.84	24.74	—
10	10.16	17.76	19.66	—
極数	A 寸法	B 寸法	C 寸法	D 寸法

REVISED EC NO: J2006-0712 DRW: YANAGI MOTO 2005/10/03 CHKD: TANAKA 2005/10/06 APPR: NUKITA 2005/10/14	GENERAL TOLERANCES (UNLESS SPECIFIED)		DIMENSION STYLE MM ONLY		SCALE 2:1	DESIGN UNITS METRIC	THIRD ANGLE PROJECTION
	10 UNDER	±0.2	DRAWN BY H. HIRAMOTO	DATE 1990/06/19	TITLE QIK FLECS WAFER ASSY RA		
	10 OVER 30 UNDER	±0.25	CHECKED BY M. SASAO	DATE			
	30 OVER	±0.3	APPROVED BY H. IKESUGI	DATE	MOLEX INCORPORATED		
	ANGULAR ±3 °	DRAFT WHERE APPLICABLE MUST REMAIN WITHIN DIMENSIONS	MATERIAL NO. SEE SHEET 2 OF 2	DOCUMENT NO. SD-5342-001	SHEET NO. 1 OF 2		
			SIZE A3	THIS DRAWING CONTAINS INFORMATION THAT IS PROPRIETARY TO MOLEX INCORPORATED AND SHOULD NOT BE USED WITHOUT WRITTEN PERMISSION			

10 9 8 7 6 5 4 3 2 1

F

F

E

E

D

D

C

C

B


B

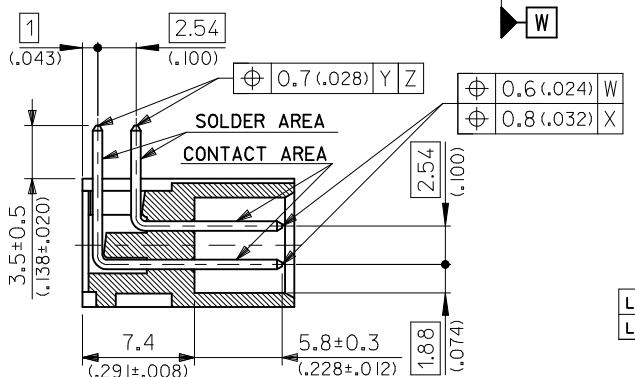
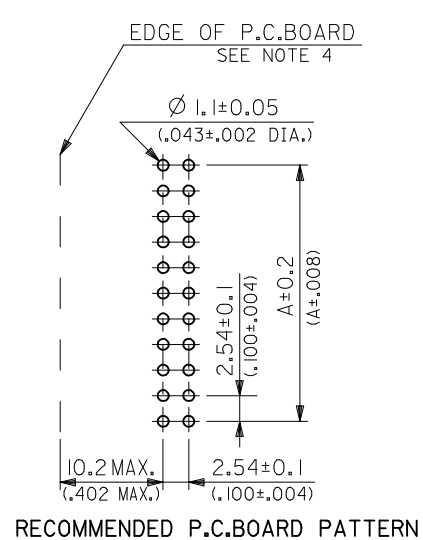
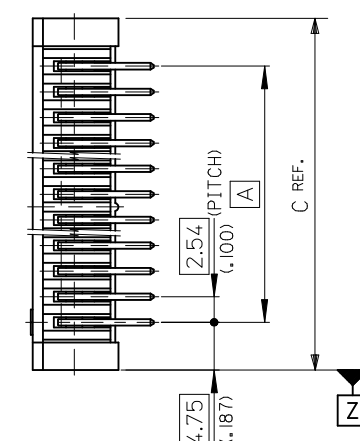
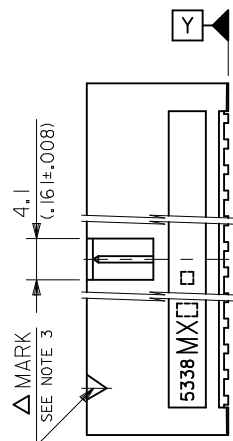
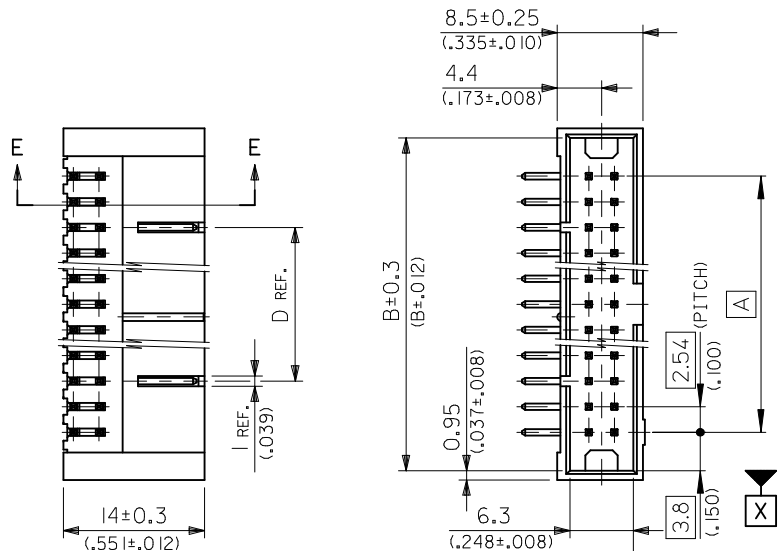
A

A

		60
		50
		40
39-28-5344	5342-34T2	34
▲ -5304	▲ -30T2	30
-5264	-26T2	26
-5204	-20T2	20
-5164	-16T2	16
▼ -5144	▼ -14T2	14
39-28-5104	5342-10T2	10
EDP NO.	ENG. NO.	極数
5342-NT2	-LEAD FREE-	

39-53-7604	5342-60GS17F	39-26-7608	5342-60GS1	60
▲ -7504	▲ -50GS17F	▲ -7508	▲ -50GS1	50
-7404	-40GS17F	-7408	-40GS1	40
-7344	-34GS17F	-7348	-34GS1	34
-7304	-30GS17F	-7308	-30GS1	30
-7264	-26GS17F	-7268	-26GS1	26
-7204	-20GS17F	-7208	-20GS1	20
-7164	-16GS17F	-7168	-16GS1	16
▼ -7144	▼ -14GS17F	▼ -7148	▼ -14GS1	14
39-53-7104	5342-10GS17F	39-26-7108	5342-10GS1	10
EDP NO.	ENG. NO.	EDP NO.	ENG. NO.	極数
5342-NGS17F	-LEAD FREE-	5342-NGS1		

REVISED EC NO: J2006-0712 DRWN: YANAGI MOTO 2005/10/03 CHKD: TANAKA 2005/10/06 APPR: NUKITA 2005/10/14	GENERAL TOLERANCES (UNLESS SPECIFIED)		DIMENSION STYLE MM ONLY		SCALE 2:1	DESIGN UNITS METRIC	THIRD ANGLE PROJECTION		
	10 UNDER	± 0.2	DRAWN BY H. HIRAMOTO		DATE 1990-09-19	TITLE QIK FLECS WAFER ASSY RA			
	10 OVER 30 UNDER	± 0.25	CHECKED BY M. SASAO		DATE	 MOLEX INCORPORATED			
	30 OVER	± 0.3	APPROVED BY H. IKESUGI		DATE				
	ANGULAR	± 3 °	MATERIAL NO.		DOCUMENT NO. SD-5342-001	SHEET NO. 2 OF 2			
DRAFT WHERE APPLICABLE MUST REMAIN WITHIN DIMENSIONS		SIZE A3		THIS DRAWING CONTAINS INFORMATION THAT IS PROPRIETARY TO MOLEX INCORPORATED AND SHOULD NOT BE USED WITHOUT WRITTEN PERMISSION					



NOTES

- MATERIAL WAFER : G.F. 15% PBT (UL94V-0), COLOR---BLACK
PINS : BRASS, SIZE--- □0.635(.025 SQ.)
- MATES WITH MOLEX CONNECTOR SERIES OF 5320.
- LEGEND
5342 - N *
BASE NUMBER _____
CIRCUIT SIZE _____
PLATING CODE OF PIN _____

4. 10.2(.402) MAX. TO EDGE OF P.C. BOARD FOR DAISY CHAIN APPLICATION.

	CODE:*	△ MARK COLOR	CONTACT AREA	SOLDER AREA	UNDER PLATE
LEAD-FREE	GS17F	YELLOW	GOLD 0.1 μm(.000004) MIN.	TIN 1 μm(.00004) MIN.	NICKEL 1 μm(.00004) MIN.
LEAD-FREE	T2	BLACK	TIN 1 μm(.00004) MIN.		NICKEL 0.5 μm(.00002) MIN.

SECT. E-E (SCALE 3:1)

60	73.66 (2.900)	81.26 (3.200)	83.16 (3.274)	63.50 (2.500)
50	60.96 (2.400)	68.56 (2.700)	70.46 (2.774)	50.80 (2.000)
40	48.26 (1.900)	55.86 (2.200)	57.76 (2.274)	38.10 (1.500)
36	43.18 (1.700)	50.78 (2.000)	52.68 (2.074)	33.02 (1.300)
34	40.64 (1.600)	48.24 (1.900)	50.14 (1.974)	30.48 (1.200)
30	35.56 (1.400)	43.16 (1.700)	45.06 (1.774)	25.40 (1.000)
26	30.48 (1.200)	38.08 (1.500)	39.98 (1.574)	— # —
20	22.86 (.900)	30.46 (1.200)	32.36 (1.274)	— # —
16	17.78 (.700)	25.38 (1.000)	27.28 (1.074)	— # —
14	15.24 (.600)	22.84 (.900)	24.74 (.974)	— # —
10	10.16 (.400)	17.76 (.700)	19.66 (.774)	— # —
NO. OF CKTS.	DIM. A	DIM. B	DIM. C	DIM. D

REVISED EC NO: J2009-2013 DRWN: MABEI 2009/03/12 CHKD: THARUYAMA 2009/03/13 APPR: NUKITA 2009/03/16 K REV	GENERAL TOLERANCES (UNLESS SPECIFIED) 10 UNDER ±0.2 10 OVER 30 UNDER ±0.25 30 OVER ±0.3 ANGULAR ±3 ° DRAFT WHERE APPLICABLE MUST REMAIN WITHIN DIMENSIONS		DIMENSION STYLE MM/IN DRAWN BY H. HIRAMOTO DATE 1989/08/21 CHECKED BY M. SASAO DATE APPROVED BY H. IKESUGI DATE MATERIAL NO. SEE SHEET 2		SCALE 2:1	DESIGN UNITS METRIC	THIRD ANGLE PROJECTION
	TITLE QIK FLECS WAFER ASSY RA						
	MOLEX INCORPORATED DOCUMENT NO. SD-5342-002					SHEET NO. 1 OF 2	
	THIS DRAWING CONTAINS INFORMATION THAT IS PROPRIETARY TO MOLEX INCORPORATED AND SHOULD NOT BE USED WITHOUT WRITTEN PERMISSION						

10 9 8 7 6 5 4 3 2 1

F

F

E

E

D

D

C

C

B

B

A

A

—#—	—#—	39-53-7504	5342-50GS17F	50
—#—	—#—	↑ -7404	↑ -40GS17F	40
—#—	—#—	—#—	—#—	36
39-28-5344	5342-34T2	—#—	—#—	34
↑ -5304	↑ -30T2	-7304	-30GS17F	30
-5264	-26T2	-7264	-26GS17F	26
-5204	-20T2	-7204	-20GS17F	20
↓ -5164	↓ -16T2	-7164	-16GS17F	16
↓ -5144	↓ -14T2	↓ —#—	↓ —#—	14
39-28-5104	5342-10T2	39-53-7104	5342-10GS17F	10
EDP NO.	ENG. NO.	EDP NO.	ENG. NO.	NO. OF
5342-NT2	-LEAD FREE-	5342-NGS17F	-LEAD FREE-	CKTS.

REVISED EC NO: J2009-2013 DRWN: MABEL 2009/03/12 CHKD: THARUYAMA 2009/03/13 APPR: NUKITA 2009/03/16	GENERAL TOLERANCES (UNLESS SPECIFIED)		DIMENSION STYLE MM/IN		SCALE 2:1	DESIGN UNITS METRIC		THIRD ANGLE PROJECTION	
	10 UNDER	±0.2	DRAWN BY H. HIRAMOTO		DATE 1989/08/21		TITLE QIK FLECS WAFER ASSY RA		
	10 OVER 30 UNDER	±0.25	CHECKED BY M. SASAO		DATE		MOLEX INCORPORATED DOCUMENT NO. SD-5342-002 SHEET NO. 2 OF 2		
	30 OVER	±0.3	APPROVED BY H. IKESUGI		DATE				
ANGULAR ±3 °		MATERIAL NO.		SEE TABLE					
DRAFT WHERE APPLICABLE MUST REMAIN WITHIN DIMENSIONS		SIZE A3		THIS DRAWING CONTAINS INFORMATION THAT IS PROPRIETARY TO MOLEX INCORPORATED AND SHOULD NOT BE USED WITHOUT WRITTEN PERMISSION					