

**PLEASE CHECK WWW.MOLEX.COM FOR LATEST PART INFORMATION**

**Part Number:** [73415-3740](#)  
**Status:** **Active**  
**Overview:** SMPM and SMP RF Connectors  
**Description:** 50 Ohms, SMP Straight, Cable, Jack, RG-405 (.086) Cable, Tray

**Documents:**

[Drawing \(PDF\)](#) [RoHS Certificate of Compliance \(PDF\)](#)

**General**

Product Family	RF/Coax Connectors
Series	<a href="#">73415</a>
Comments	Cable Mount
Overview	<a href="#">SMPM and SMP RF Connectors</a>
Product Name	SMP
Style	Cable
UPC	822348330416
Wire/Cable Type	RG-405 2.18mm

**Physical**

Gender	Jack
Keying to Mating Part	None
Net Weight	0.259/g
Orientation	Straight
PCB Mounting	N/A
Packaging Type	Tray
Panel Mount	No
Panel Mount Method	N/A
Reverse Polar	No

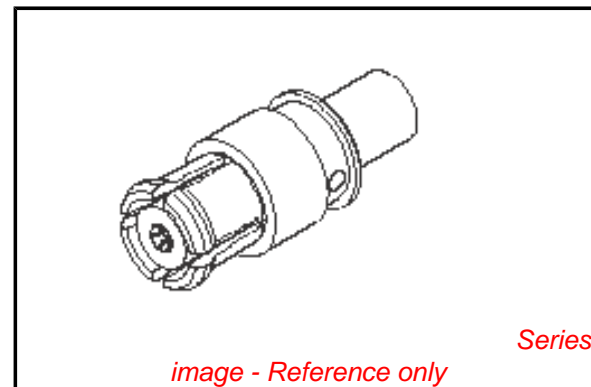
**Electrical**

Impedance	50#
-----------	-----

**Material Info**

**Reference - Drawing Numbers**

Sales Drawing	SD-73415-374
---------------	--------------



**EU RoHS**

**RoHS Compliant RF Product**

**REACH SVHC**

Not Reviewed

**Low-Halogen Status**

**Low-Halogen**

**China RoHS**



**Need more information on product environmental compliance?**

Email [productcompliance@molex.com](mailto:productcompliance@molex.com)  
 For a multiple part number RoHS Certificate of Compliance, [click here](#)

Please visit the [Contact Us](#) section for any non-product compliance questions.

**Search Parts in this Series**

[73415Series](#)