

### Contact blocks and lamp blocks with holder for front mounting

Max. number of blocks in holder	Included blocks	Catalog No.	Ref. Code
<b>For non-illuminated operators</b>			
3	1 NC	<b>MCBH-01</b>	1SFA 611 605 R1110
3	1 NO	<b>MCBH-10</b>	1SFA 611 605 R1101
3	2 NC	<b>MCBH-02</b>	1SFA 611 605 R1120
3	2 NO	<b>MCBH-20</b>	1SFA 611 605 R1102
3	3 NC	<b>MCBH-03</b>	1SFA 611 605 R1130
3	3 NO	<b>MCBH-30</b>	1SFA 611 605 R1103
3	1 NO + 1 NC	<b>MCBH-11</b>	1SFA 611 605 R1111
3	1 NO + 2 NC	<b>MCBH-12</b>	1SFA 611 605 R1121
3	2 NO + 1 NC	<b>MCBH-21</b>	1SFA 611 605 R1112
<b>For illuminated operators</b>			
3	1 NC + 1 LB	<b>MCBH-011</b>	1SFA 611 605 R1210
3	1 NO + 1 LB	<b>MCBH-101</b>	1SFA 611 605 R1201
3	1 NO + 1 NC + 1 LB	<b>MCBH-111</b>	1SFA 611 605 R1211
3	2 NC + 1 LB	<b>MCBH-021</b>	1SFA 611 605 R1220
3	2 NO + 1 LB	<b>MCBH-201</b>	1SFA 611 605 R1202

### Single contact blocks for front mounting

Included blocks	Catalog No.	Ref. Code
1 NO	<b>MCB-10</b>	1SFA 611 610 R1001
1 NC	<b>MCB-01</b>	1SFA 611 610 R1010
1 NO with gold plated contacts	<b>MCB-10G</b>	1SFA 611 610 R1101
1 NC with gold plated contacts	<b>MCB-01G</b>	1SFA 611 610 R1110

### Double contact block for front mounting

To be used together with MCBH5-00 when contact blocks in position 4- and 5- are needed.  
Also when using MCBH-00 together with selector switch and contact block in position 3- is needed

Included blocks	Catalog No.	Ref. Code
2 NO	<b>MCB-20</b>	1SFA 611 610 R1002
2 NC	<b>MCB-02</b>	1SFA 611 610 R1020
1 NO + 1 NC	<b>MCB-11</b>	1SFA 611 610 R1011

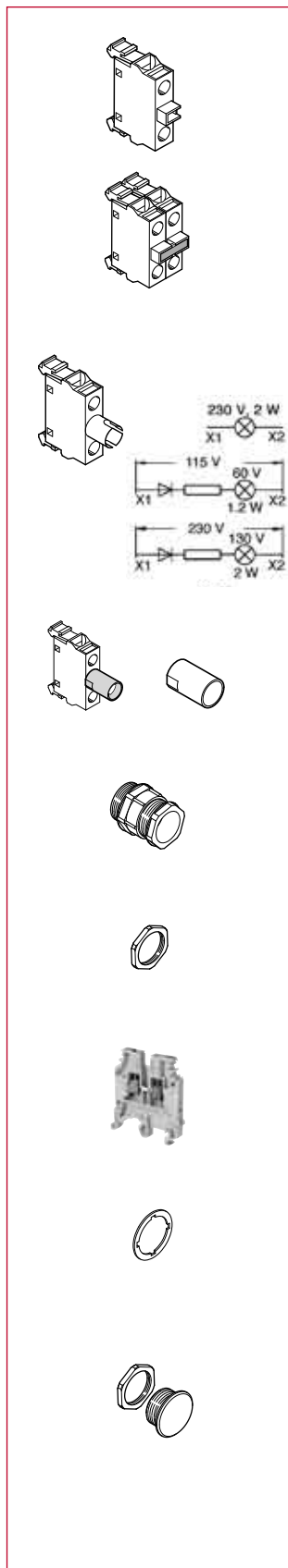
### Single lamp blocks for front mounting, Ba 9s base

Description	Catalog No.	Ref. Code
<b>For max. 2 W, 230 V AC and DC filament bulb or LED</b>	<b>MLB-1</b>	1SFA 611 620 R1001
115 V AC supply voltage. <b>For 60 V filament bulb max. 1.2 W</b>	<b>MLB-2</b>	1SFA 611 620 R1002
230 V AC supply voltage. <b>For 130 V filament bulb max. 2 W</b>	<b>MLB-3</b>	1SFA 611 620 R1003
115 V AC and DC supply voltage <b>For 24 V LED</b>	<b>MLB-4</b>	1SFA 611 620 R1004
24 V AC and DC supply voltage. With resistor. Intended for electronic circuits. The resistor limits the making current and protects against disturbances in the electronic circuit <b>For 24 V filament bulb</b>	<b>MLB-5</b>	1SFA 611 620 R1005

### Holders

Description	Catalog No.	Ref. Code
Holders for front mounting		
For three blocks	<b>MCBH-00</b>	1SFA 611 605 R1100
For five blocks	<b>MCBH5-00</b>	1SFA 611 601 R1100

Contact blocks and lamp blocks for rear mounting See Page 8.43



## Contact blocks for rear mounting

Description	Catalog No.	Ref. Code
<b>Contact block</b>		
1NO	<b>MCB-10B</b>	1SFA 611 610 R2001
1NC	<b>MCB-01B</b>	1SFA 611 610 R2010

## Double contact block

2NO	<b>MCB-20B</b>	1SFA 611 610 R2002
2NC	<b>MCB-02B</b>	1SFA 611 610 R2020
1NO+1NC	<b>MCB-11B</b>	1SFA 611 610 R2011

## Contact block with gold plated contacts

1NO	<b>MCB-10BG</b>	1SFA 611 610 R2101
1NC	<b>MCB-01BG</b>	1SFA 611 610 R2110

## Lamp blocks

For max. 2 W, 230 V AC and DC filament bulb or LED

115 V AC supply voltage.

For 60 V filament bulb max. 1.2 W

230 V AC supply voltage.

For 130 V filament bulb max. 2 W

	<b>MLB-1B</b>	1SFA 611 620 R2001
--	---------------	--------------------

## Protective sleeve

Description	Catalog No.	Ref. Code
To make a rear mounted lamp block screen protected. IP20	<b>5396 0543-1</b>	5396 0543-1

## Earthing terminal

Description	Catalog No.	Ref. Code
For plastic enclosure.	<b>MA5-2005</b>	1SFA 611 925 R3005

## Spacer

Description	Catalog No.	Ref. Code
1 mm thick. Needed when legend plates are not used in plastic enclosures.		

Spacer (Packing unit 10 pieces)	<b>SK 615 516-1</b>	SK 615 516-1
---------------------------------	---------------------	--------------

Spacer for Modular emergency stop pushbutton, page ??

(Packing unit 10 pieces)	<b>KA1-8045</b>	1SFA 616 920 R 8045
--------------------------	-----------------	---------------------

## Blanking plug (22mm)

Description	Catalog No.	Ref. Code
Black plastic	<b>SK 615 502-B</b>	SK 615 502-B