

REVISIONS				
REV.	ECN/E-R	DESCRIPTION	DATE	APPROVED
A		PROPOSAL	MAR25/09	
B		UPDATED	APR21/09	
C		B-B APPLICATIONS ADDED	MAY25/09	



MATERIAL:  
COPPER ALLOY

PLATING OPTION Y=2:  
2.54um MIN. NICKEL

PLATING OPTION Y=3:  
3.81um MIN. MATTE TIN  
OVER 1.27um MIN. NICKEL.

LIGHT PIPE:  
CLEAR POLYCARBONATE

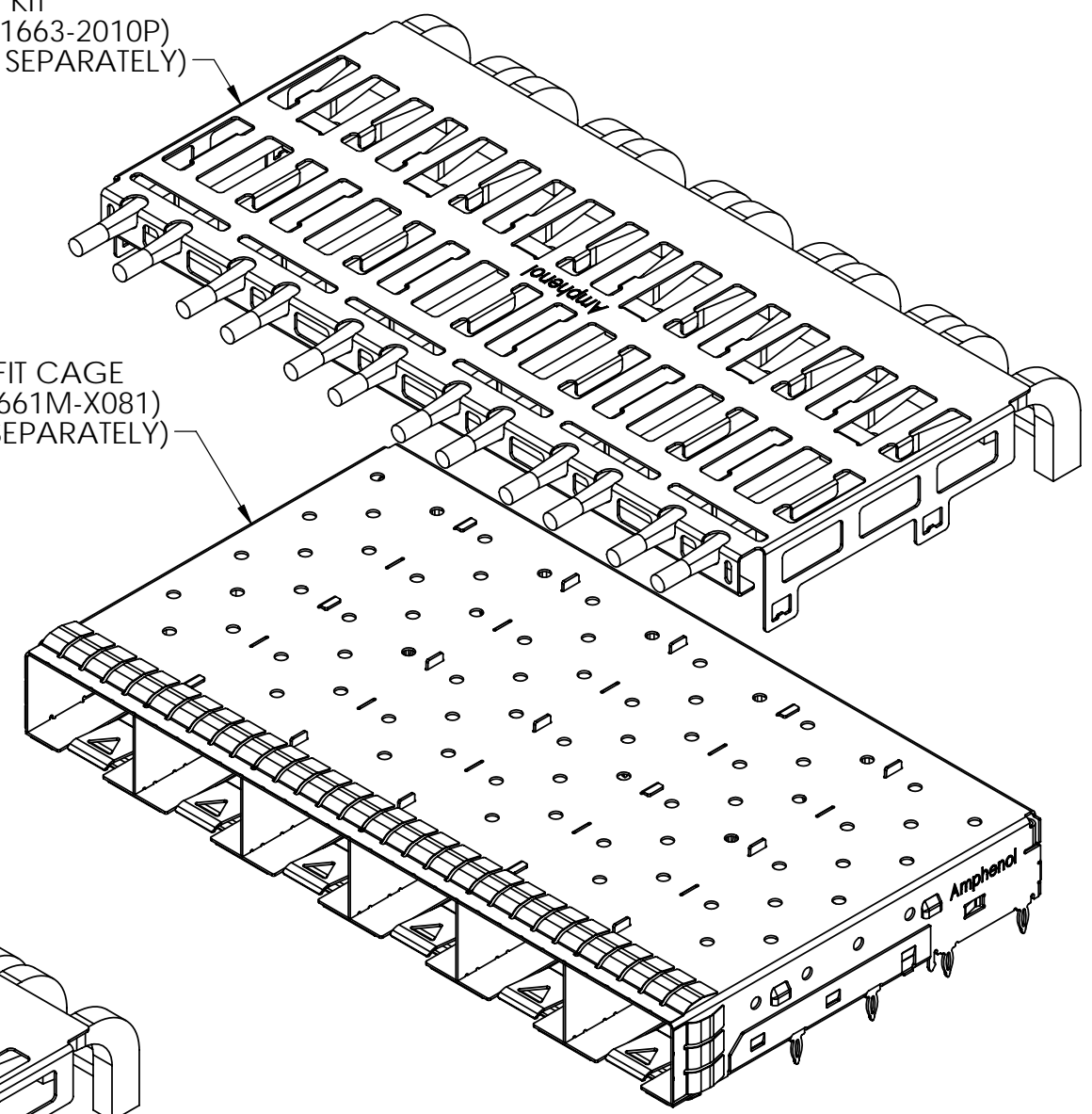
BRACKET FOR LIGHT PIPE:  
STAINLESS STEEL

PACKAGING:  
TRAY PACKAGING

TEMPERATURE RANGE:  
-40C TO +85C

LIGHT PIPE KIT  
(P/N: U77-1663-2010P)  
(IF ORDER SEPARATELY)

SFP+PRESS FIT CAGE  
(P/N U77-A661M-X081)  
(IF ORDER SEPARATELY)



**P/N: U77-C661M-X081 SHOWN**

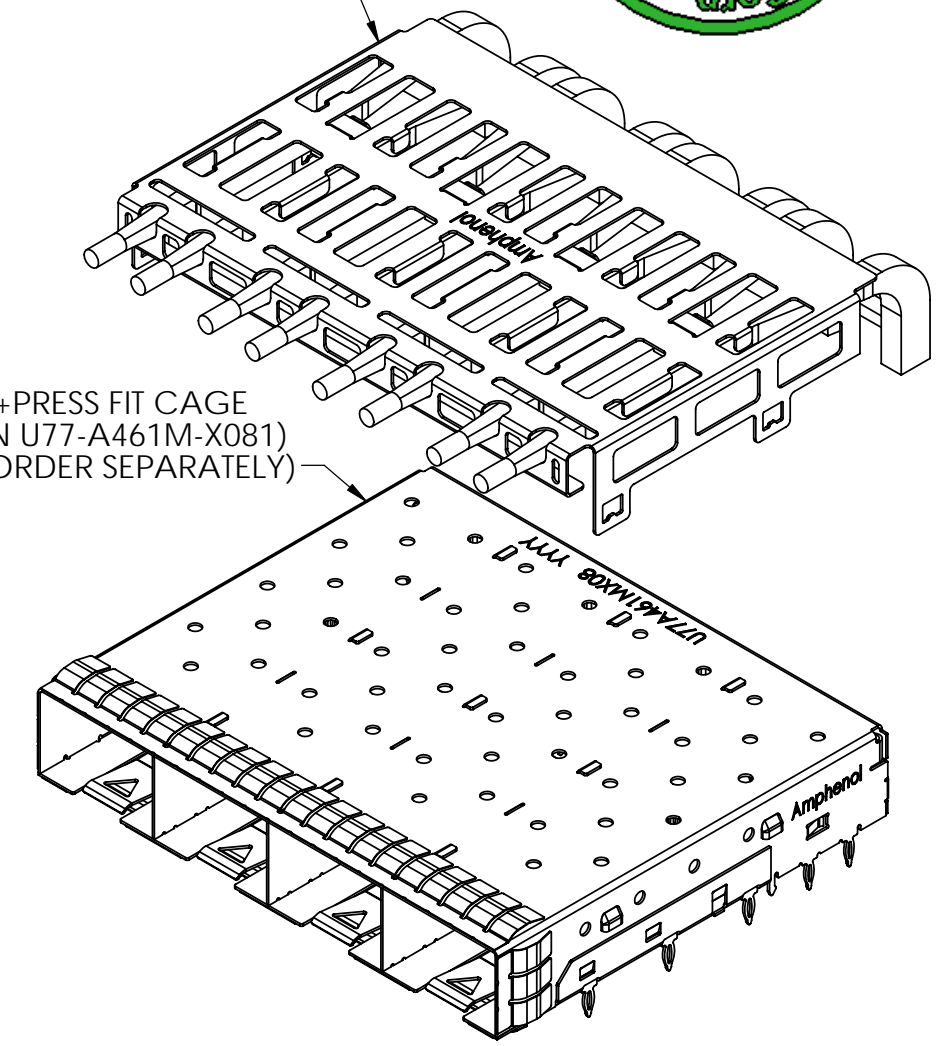
**AMPHENOL PART NUMBER CONFIGURATION**

U77 - C X 6 1 M - Y 0 8 1

- PACKAGING  
1 = TRAY PACKAGING
- PLATING  
2 = NICKEL PLATING  
3 = MATTE TIN PLATING
- NUMBER OF PORTS  
2 = 2 PORTS  
4 = 4 PORTS  
6 = 6 PORTS

LIGHT PIPE KIT  
(P/N: U77-1463-2010P)  
(IF ORDER SEPARATELY)

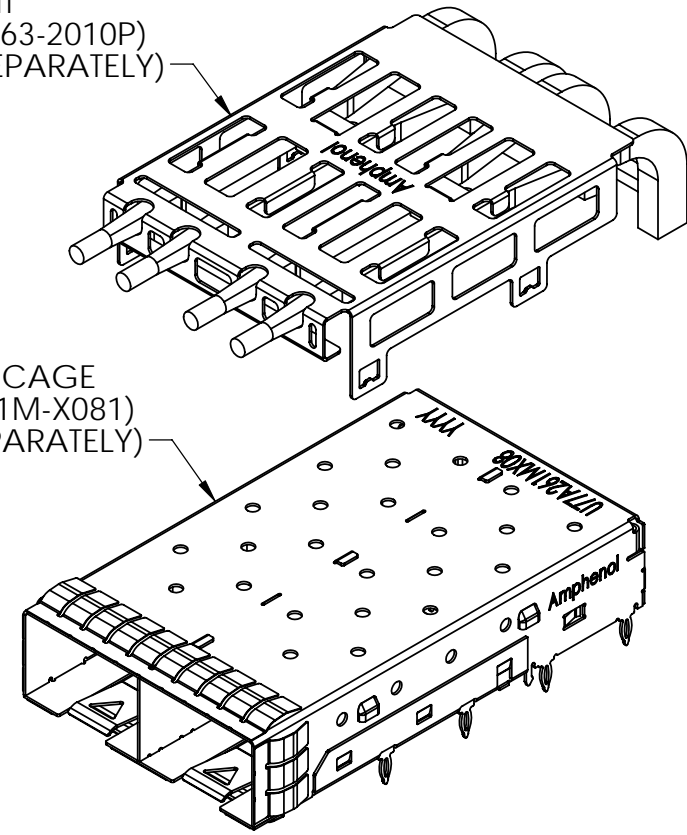
SFP+PRESS FIT CAGE  
(P/N U77-A461M-X081)  
(IF ORDER SEPARATELY)



**P/N: U77-C461M-X081 SHOWN**

LIGHT PIPE KIT  
(P/N: U77-1263-2010P)  
(IF ORDER SEPARATELY)

SFP+PRESS FIT CAGE  
(P/N U77-A261M-X081)  
(IF ORDER SEPARATELY)



**P/N: U77-C261M-X081 SHOWN**

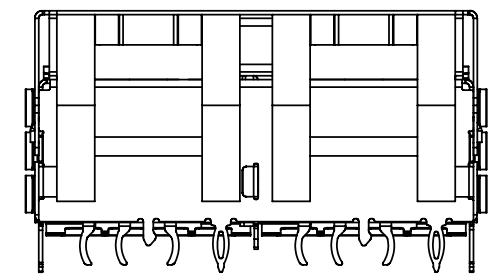
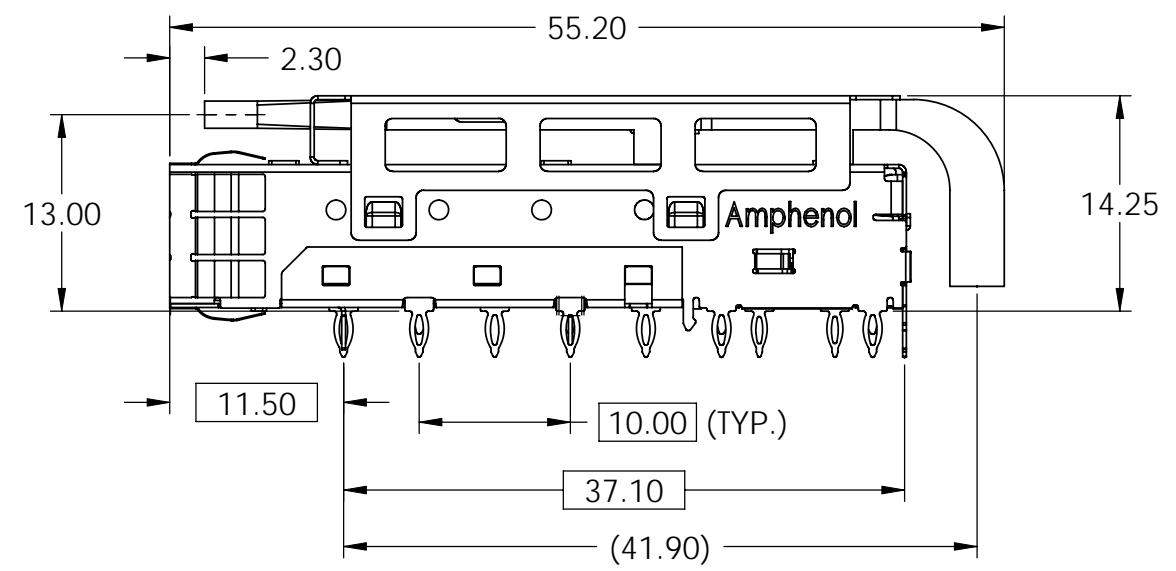
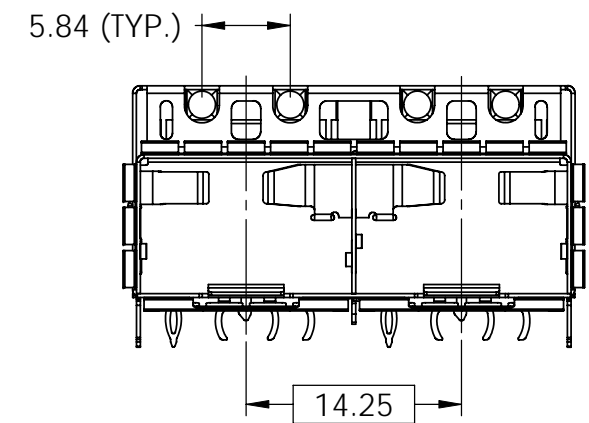
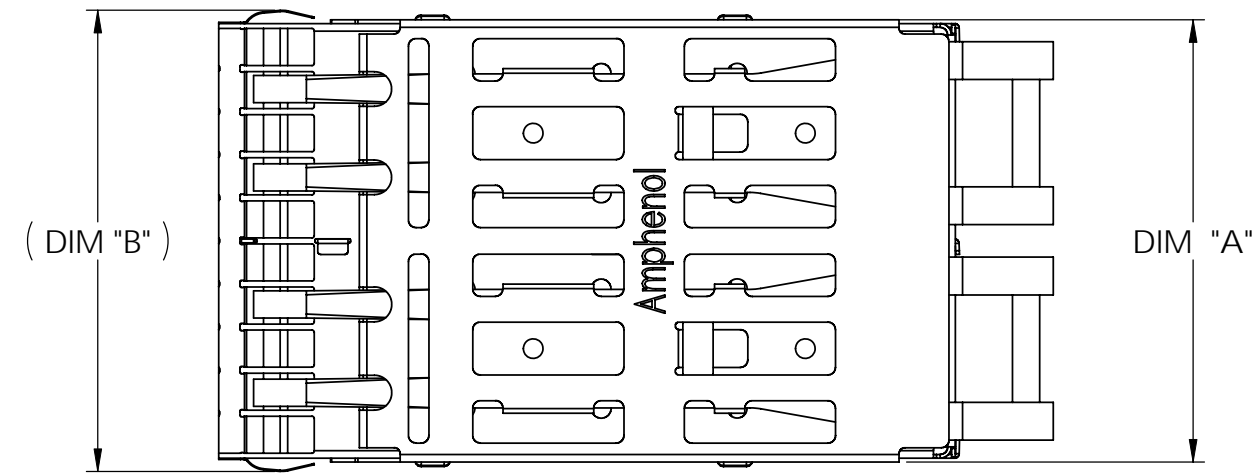
**DO NOT SCALE DRAWING**

THIS DOCUMENT CONTAINS PROPRIETARY INFORMATION AND SUCH INFORMATION MAY NOT BE DISCLOSED TO OTHERS FOR ANY PURPOSE OR USED FOR MANUFACTURING PURPOSES WITHOUT PERMISSION FROM AMPHENOL CANADA CORP.

UNLESS OTHERWISE SPECIFIED DIMENSIONS ARE IN MILLIMETERS TOLERANCES ARE:		APPROVALS		DATE	Amphenol Canada Corp.	
DECIMALS X.X ± 0.38 X.XX ± 0.25	ANGLES ± 1°	DRAWN Jane.Z	MAR13/09	TITLE		
MATERIAL AND FINISH SEE NOTE 1		CHECKED J.SI	MAR25/09	1XN SFP+ CAGE SPRINGFINGER EMI, WITH LIGHT PIPE		
REF.	IE APPD	DWG APPD A.G	MAR25/09	SIZE A3	DWG. NO P-U77-CX61M-X081	REV. C
CODE IDENT. NO 03554	SCALE 3:2	PROJECT	SHEET 1 OF 11			

PART NUMBER	DIM"A"	DIM"B"
U77-C261M-X081	29.26	30.51
U77-C461M-X081	57.76	59.01
U77-C661M-X081	86.26	87.51

REVISIONS				
REV.	ECN/E-R	DESCRIPTION	DATE	APPROVED
A		PROPOSAL	MAR25/09	
B		UPDATED	APR21/09	
C		B-B APPLICATIONS ADDED	MAY25/09	



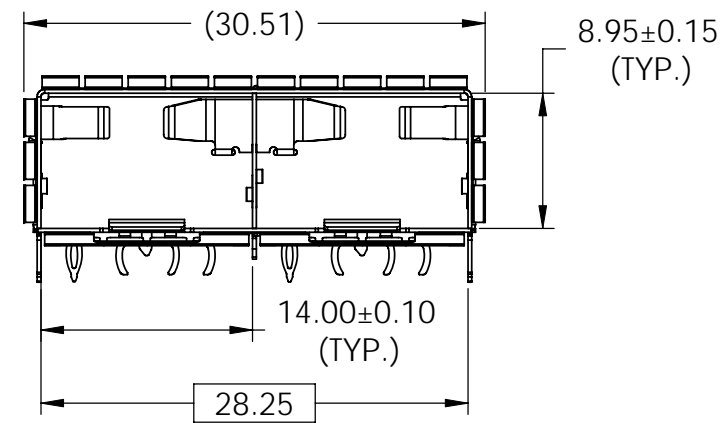
UNLESS OTHERWISE SPECIFIED DIMENSIONS ARE IN MILLIMETERS TOLERANCES ARE:		<b>APPROVALS</b>		<b>DATE</b>		<b>Amphenol Canada Corp.</b>	
DECIMALS	ANGLES	DRAWN	Jane.Z	MAR13/09	TITLE		
X.X ± 0.38	± 1°	DESIGNED			<b>1XN SFP+ CAGE SPRINGFINGER EMI, WITH LIGHT PIPE</b>		
X.XX ± 0.25		CHECKED	J.SI	MAR25/09			
MATERIAL AND FINISH		QA APPD				SIZE	
SEE NOTE 1						A3	DWG. NO
REF.		IE APPD				P-U77-CX61M-X081	REV.
CODE IDENT. NO. 03554		DWG APPD		A.G	MAR25/09	SCALE	1:1
						PROJECT	SHEET
							2 OF 11

**DO NOT SCALE DRAWING**

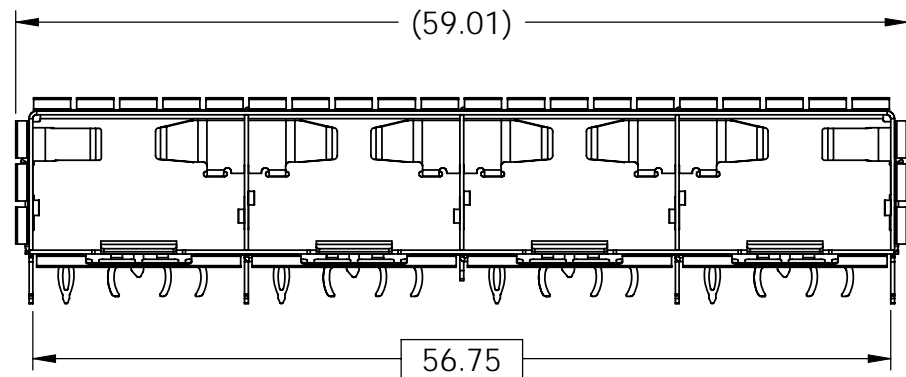
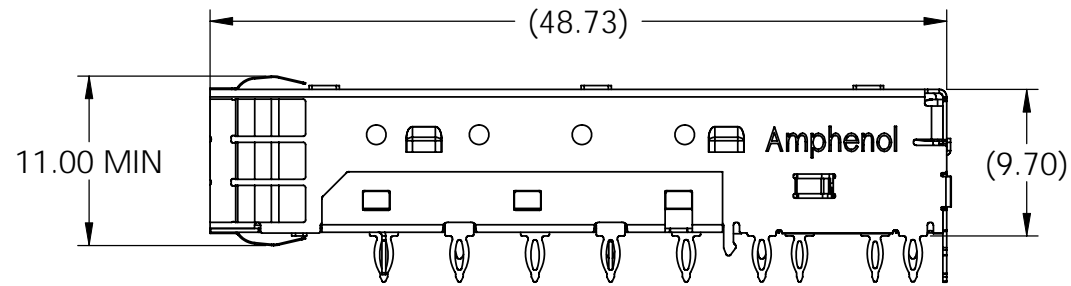
THIS DOCUMENT CONTAINS PROPRIETARY INFORMATION AND SUCH INFORMATION MAY NOT BE DISCLOSED TO OTHERS FOR ANY PURPOSE OR USED FOR MANUFACTURING PURPOSES WITHOUT PERMISSION FROM AMPHENOL CANADA CORP.

**REVISIONS**

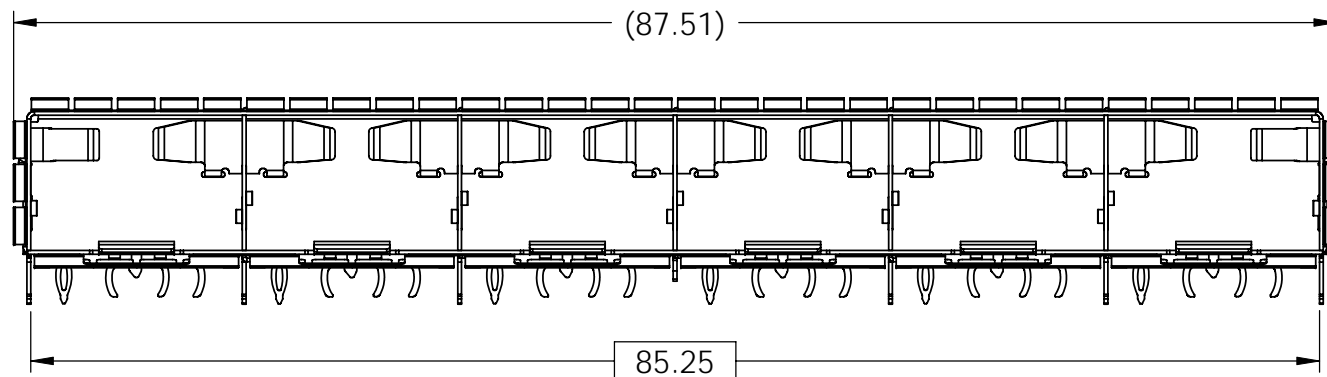
REV.	ECN/E-R	DESCRIPTION	DATE	APPROVED
A		PROPOSAL	MAR25/09	
B		UPDATED	APR21/09	
C		B-B APPLICATIONS ADDED	MAY25/09	



U77-A261M-X081



U77-A461M-X081



U77-A661M-X081

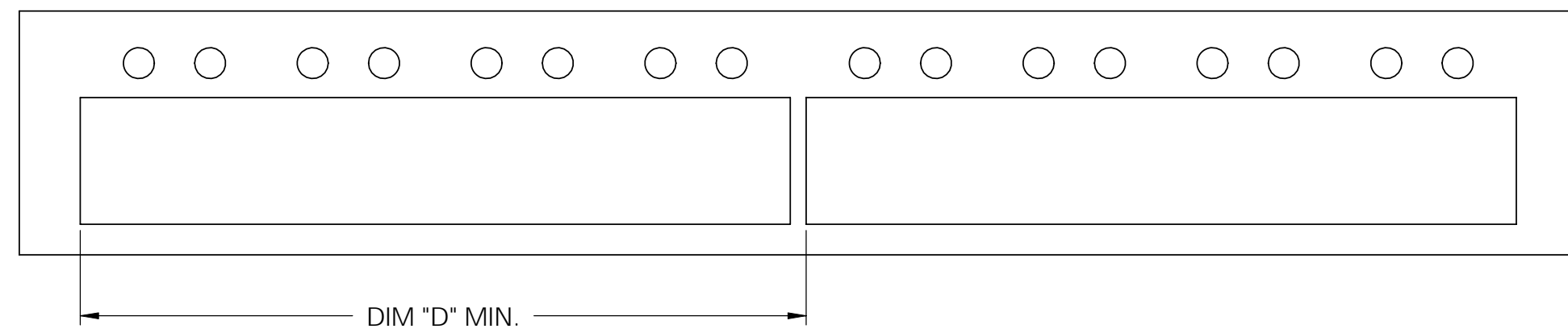
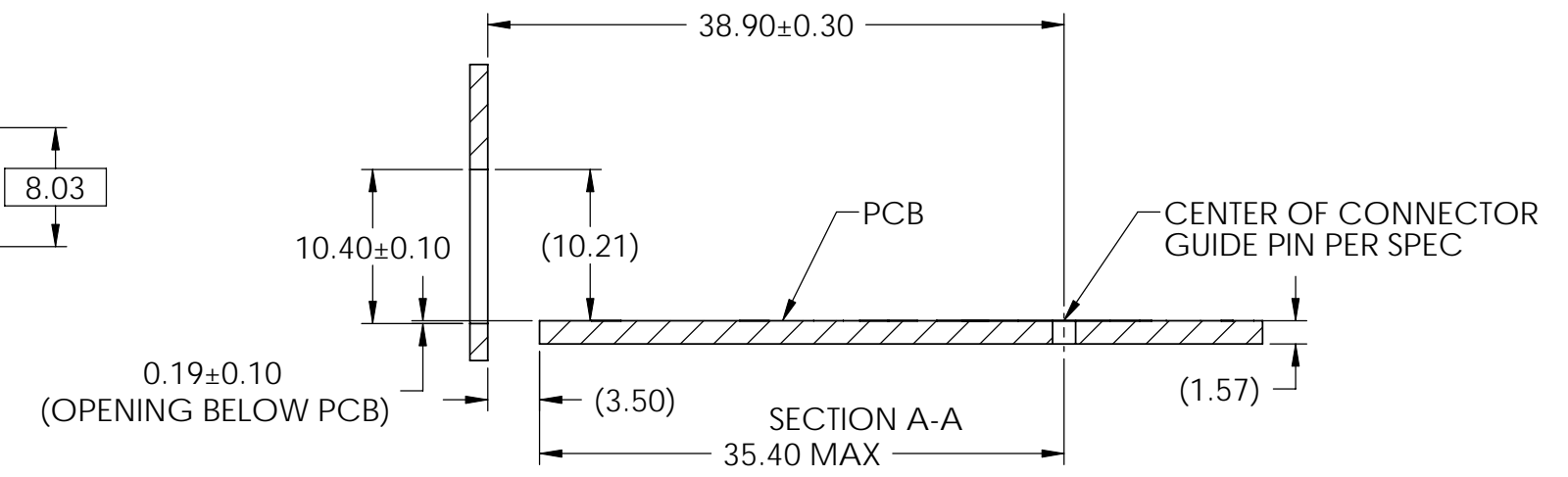
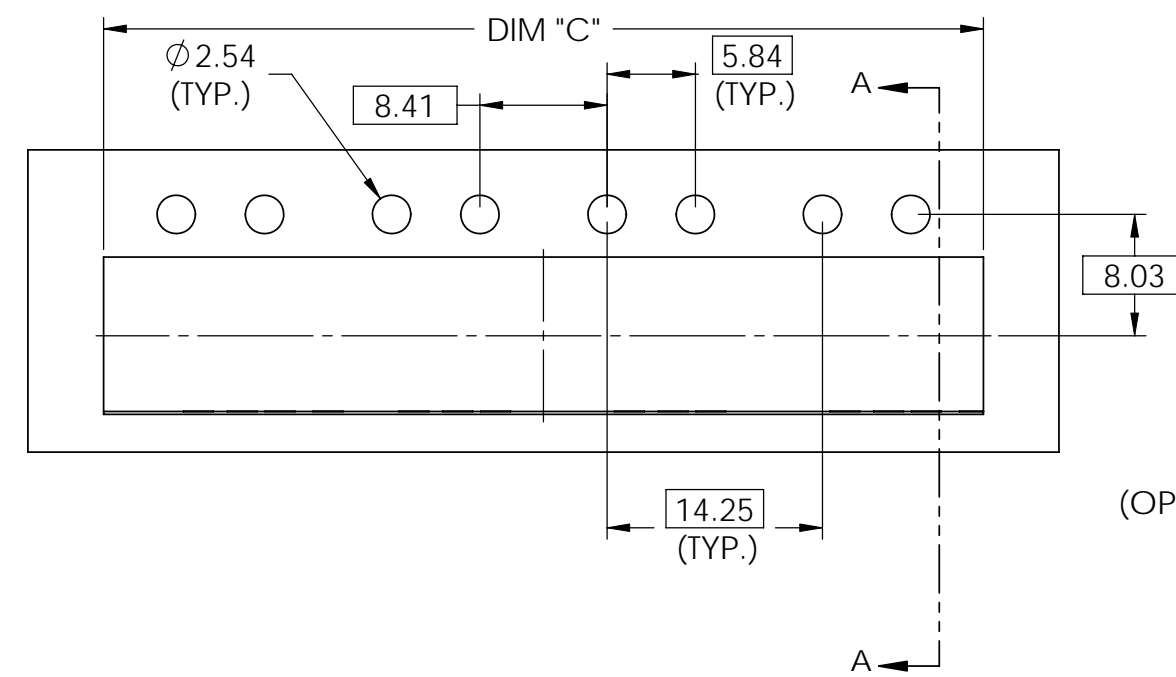
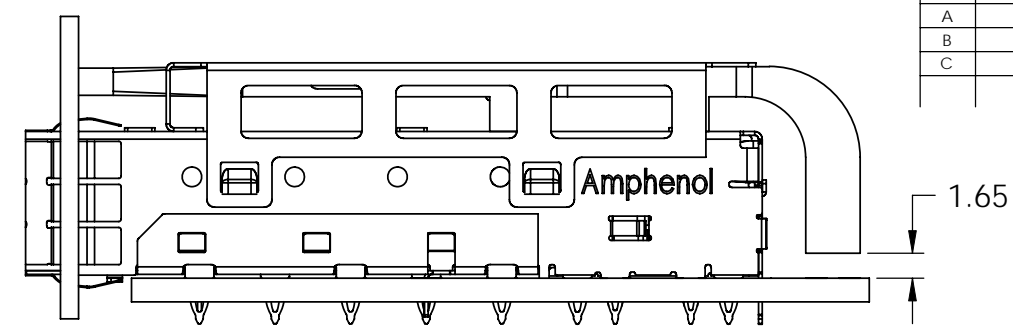
**DO NOT SCALE DRAWING**

THIS DOCUMENT CONTAINS PROPRIETARY INFORMATION AND SUCH INFORMATION MAY NOT BE DISCLOSED TO OTHERS FOR ANY PURPOSE OR USED FOR MANUFACTURING PURPOSES WITHOUT PERMISSION FROM AMPHENOL CANADA CORP.

UNLESS OTHERWISE SPECIFIED DIMENSIONS ARE IN MILLIMETERS TOLERANCES ARE:		<b>APPROVALS</b>		<b>DATE</b>	<b>Amphenol Canada Corp.</b>	
DECIMALS X.X ± 0.38 X.XX ± 0.25	ANGLES ± 1°	DRAWN Jane.Z	MAR13/09			
MATERIAL AND FINISH SEE NOTE 1		CHECKED J.SI	MAR25/09	<b>1XN SFP+ CAGE SPRINGFINGER EMI, WITH LIGHT PIPE</b>		
REF.		QA APPD				
CODE IDENT. NO. 03554		IE APPD		SIZE A3	DWG. NO. P-U77-CX61M-X081	REV. C
		DWG APPD A.G	MAR25/09	SCALE 4:1	PROJECT	SHEET 3 OF 11

PART NUMBER	DIM "C"	DIM "D"
U77-C261M-X081	29.70	31.00
U77-C461M-X081	58.20	59.50
U77-C661M-X081	86.70	88.00

REVISIONS				
REV.	ECN/E-R	DESCRIPTION	DATE	APPROVED
A		PROPOSAL	MAR25/09	
B		UPDATED	APR21/09	
C		B-B APPLICATIONS ADDED	MAY25/09	

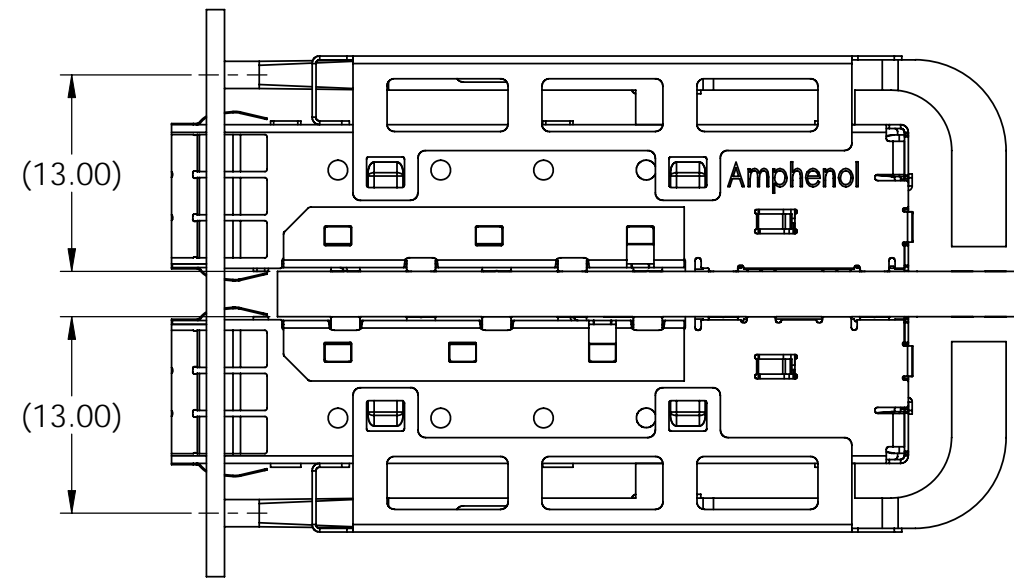


UNLESS OTHERWISE SPECIFIED DIMENSIONS ARE IN MILLIMETERS TOLERANCES ARE:		APPROVALS		DATE	Amphenol Canada Corp.	
DECIMALS	ANGLES	DRAWN	Jane.Z	MAR13/09	TITLE	
X.X ± 0.38	± 1°	DESIGNED			1XN SFP+ CAGE SPRINGFINGER EMI, WITH LIGHT PIPE	
X.XX ± 0.25		CHECKED	J.SI	MAR25/09	SIZE A3 DWG. NO. P-U77-CX61M-X081 REV. C	
MATERIAL AND FINISH		QA APPD			SCALE 2:1 PROJECT SHEET 4 OF 11	
SEE NOTE 1		IE APPD				
REF.		DWG APPD	A.G	MAR25/09		
CODE IDENT. NO.	03554					

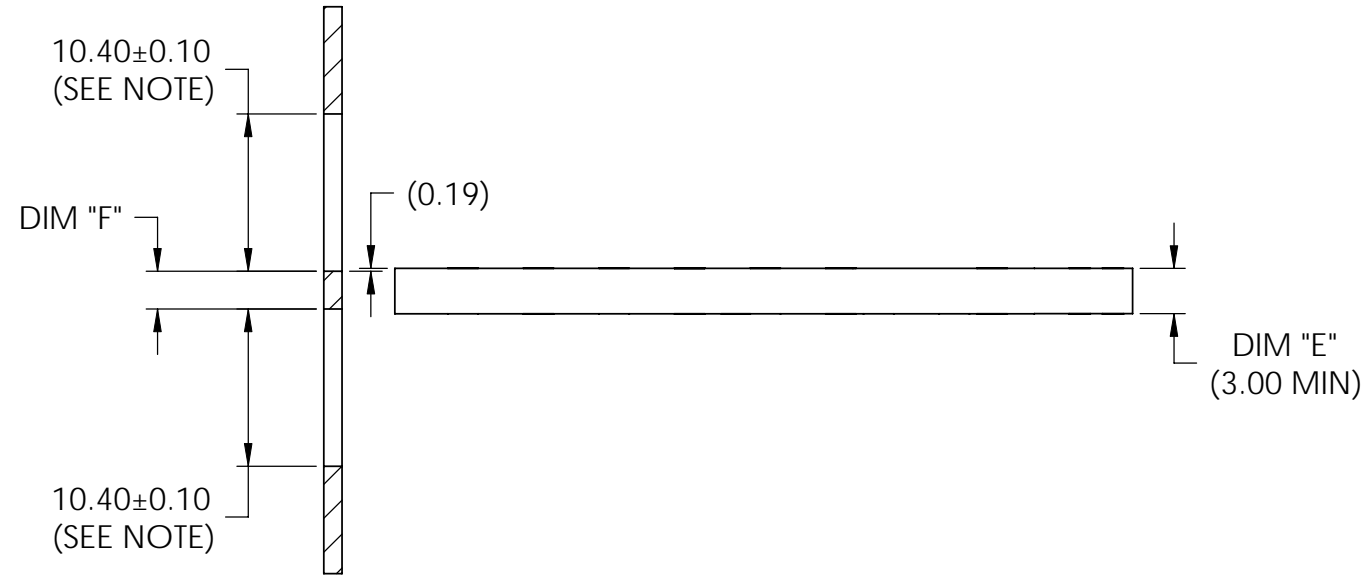
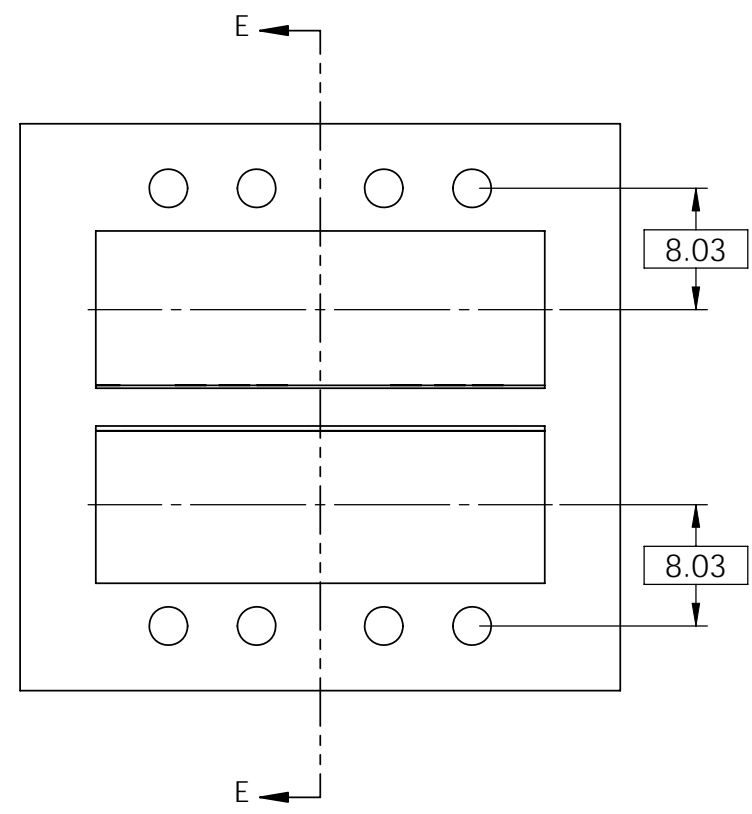
**DO NOT SCALE DRAWING**

THIS DOCUMENT CONTAINS PROPRIETARY INFORMATION AND SUCH INFORMATION MAY NOT BE DISCLOSED TO OTHERS FOR ANY PURPOSE OR USED FOR MANUFACTURING PURPOSES WITHOUT PERMISSION FROM AMPHENOL CANADA CORP.

REVISIONS				
REV.	ECN/E-R	DESCRIPTION	DATE	APPROVED
A		PROPOSAL	MAR25/09	
B		UPDATED	APR21/09	
C		B-B APPLICATIONS ADDED	MAY25/09	



NOTE:  
 PANEL CUTOUT SIZES PER SFF 8433 SPEC. FOR BELLY TO BELLY MOUNTING, DIM "E" (PCB THICKNESS) IS 3.0 mm MIN. DIM "F" RELATED TO DIM "E". FOR DIM "F" = DIM "E" - 0.44 mm. THE PANEL CUTOUT 10.40 mm MIGHT BE INCREASED UP TO 10.80 mm IN ORDER TO ACCOMMODATE PCB TOLERANCE.



SECTION E-E

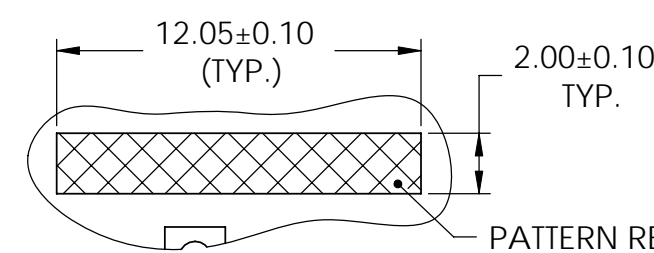
DO NOT SCALE DRAWING

THIS DOCUMENT CONTAINS PROPRIETARY INFORMATION AND SUCH INFORMATION MAY NOT BE DISCLOSED TO OTHERS FOR ANY PURPOSE OR USED FOR MANUFACTURING PURPOSES WITHOUT PERMISSION FROM AMPHENOL CANADA CORP.

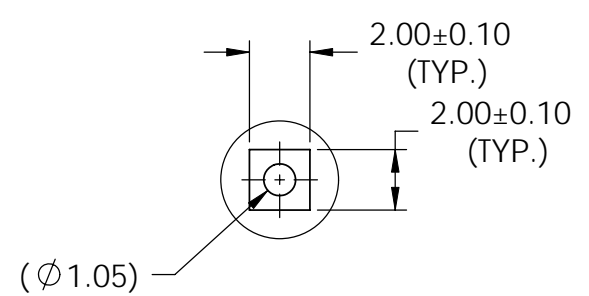
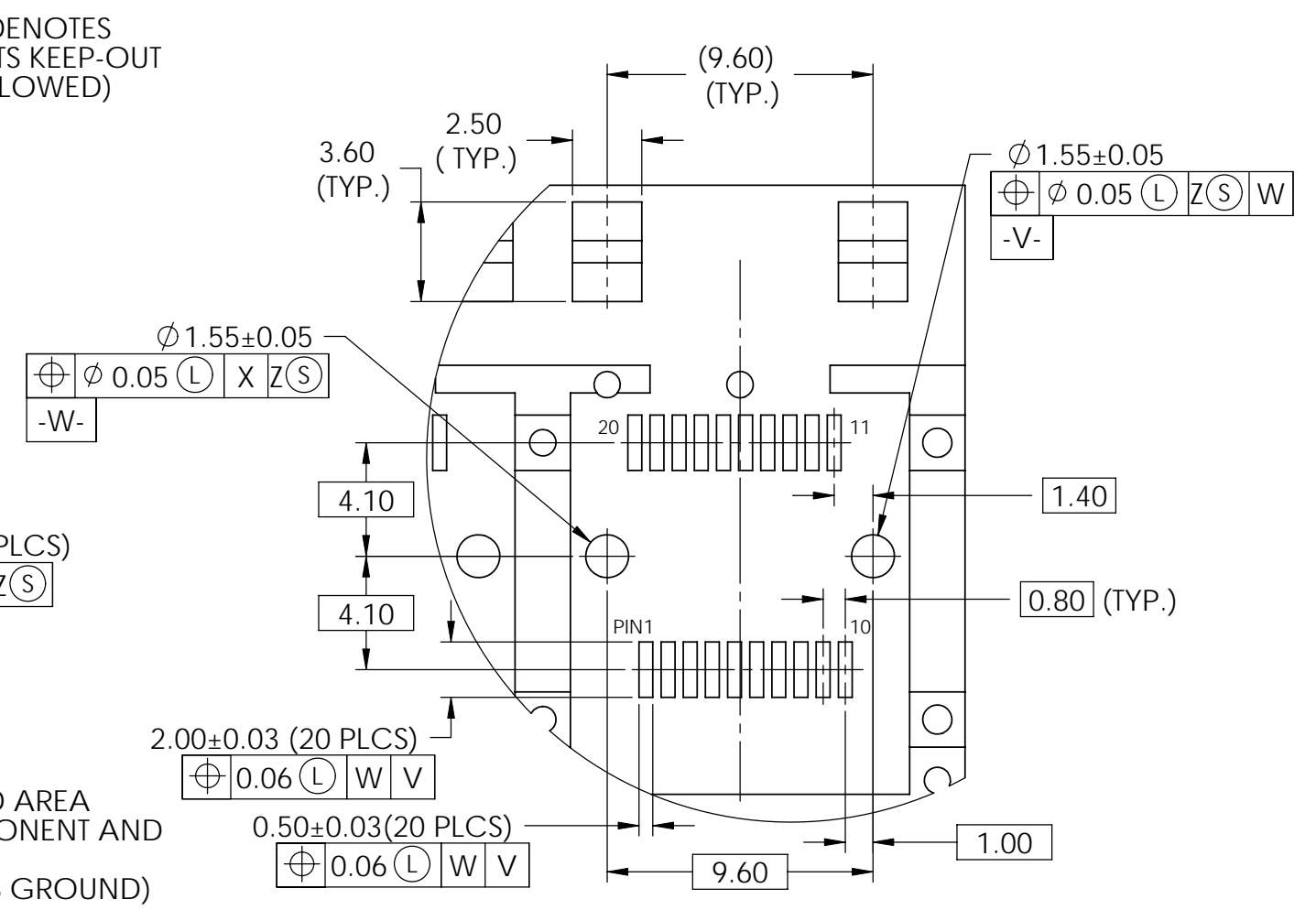
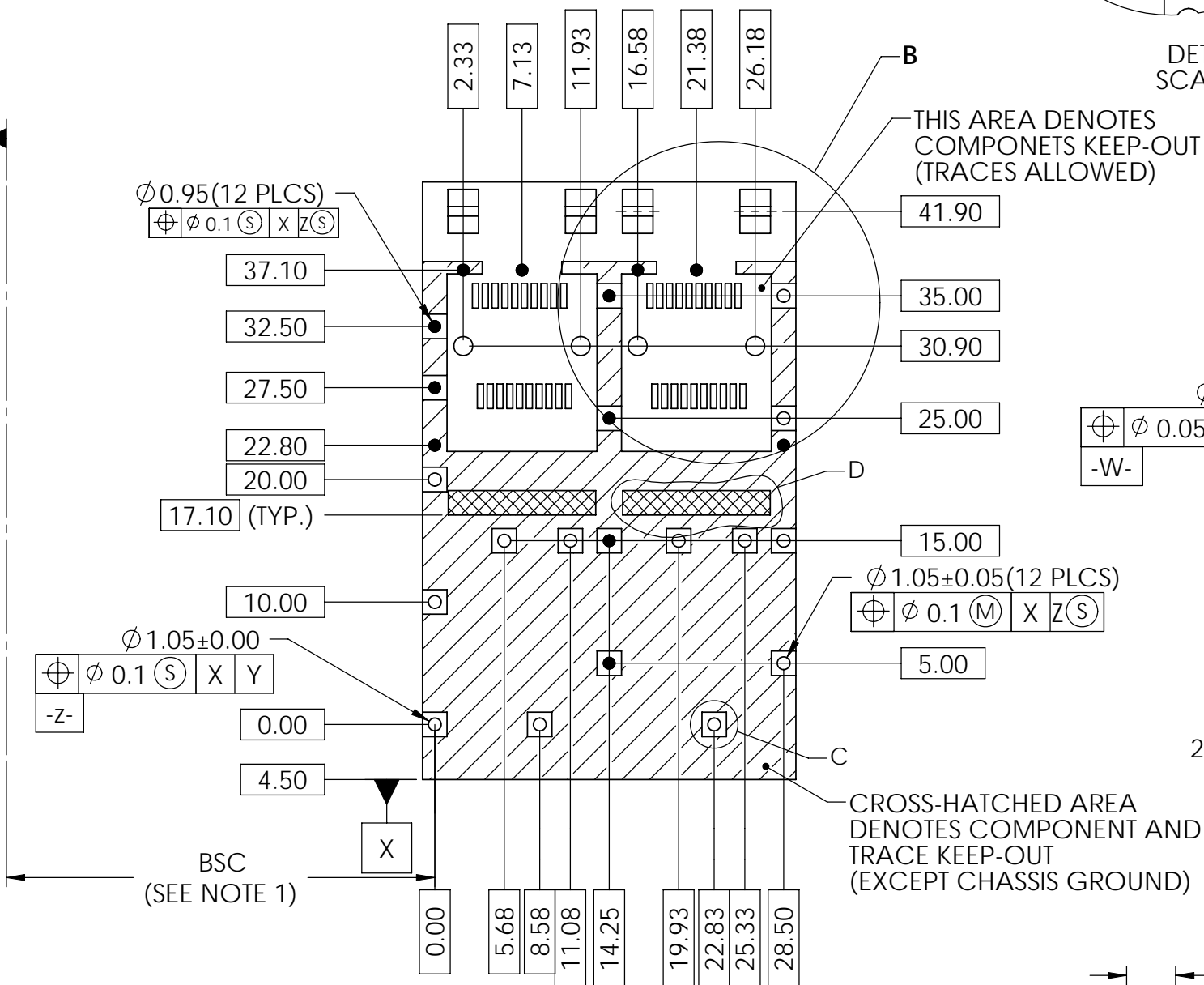
UNLESS OTHERWISE SPECIFIED DIMENSIONS ARE IN MILLIMETERS TOLERANCES ARE:		APPROVALS		DATE	Amphenol Canada Corp.	
DECIMALS	ANGLES	DRAWN	Jane.Z	MAR13/09	TITLE	
X.X ± 0.38	± 1°	DESIGNED			1XN SFP+ CAGE SPRINGFINGER EMI, WITH LIGHT PIPE	
X.XX ± 0.25		CHECKED	J.SI	MAR25/09	SIZE	REV. C
MATERIAL AND FINISH		QA APPD			DWG. NO.	P-U77-CX61M-X081
SEE NOTE 1		IE APPD			SCALE	2:1
REF.		DWG APPD	A.G	MAR25/09	PROJECT	
CODE IDENT. NO.	03554				SHEET	5 OF 11

- NOTES:  
 1. DATUM AND BASIC DIMENSIONS ESTABLISHED BY CUSTOMER.  
 2. PADS AND VIAS ARE CHASSIS GROUND.  
 3. THRU-HOLES, PLATING OPTIONAL.  
 4. SEE DRAWINGS P-UX76-A20-X00XX FOR CONNECTOR LAYOUT.

REVISIONS				
REV.	ECN/E-R	DESCRIPTION	DATE	APPROVED
A		PROPOSAL	MAR25/09	
B		UPDATED	APR21/09	
C		B-B APPLICATIONS ADDED	MAY25/09	



PATTERN REPEATS FOR EACH PORT.  
 SPACING BETWEEN PORTS IS 14.25mm.  
 APPLIES TO ALL GANGED LAYOUTS



**RECOMMENDED PCB DESIGN  
 FOR SINGLE SIDE MOUNTING  
 (P/N U77-C261M-X081)**

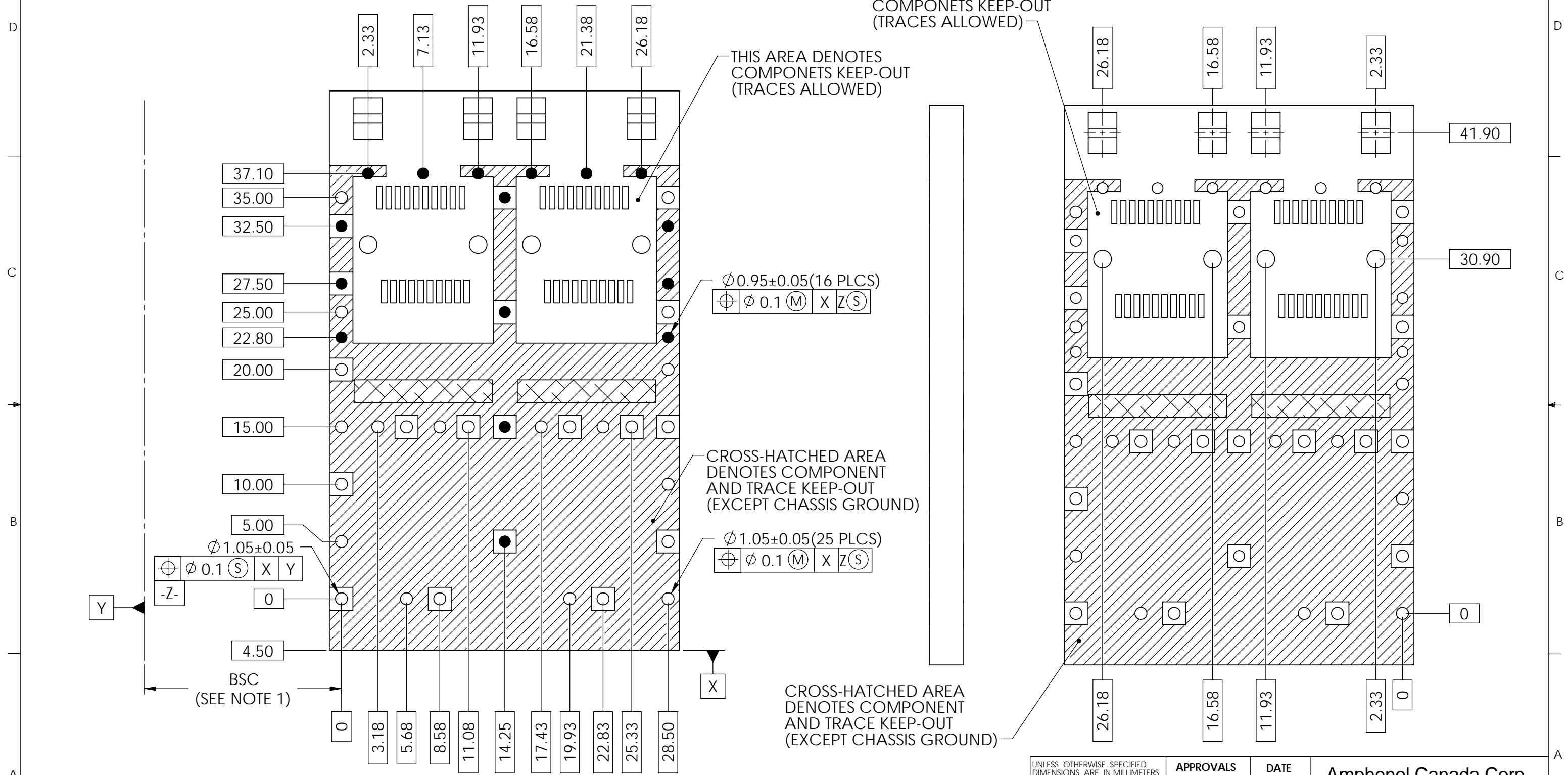
**DO NOT SCALE DRAWING**

THIS DOCUMENT CONTAINS PROPRIETARY INFORMATION AND SUCH INFORMATION MAY NOT BE DISCLOSED TO OTHERS FOR ANY PURPOSE OR USED FOR MANUFACTURING PURPOSES WITHOUT PERMISSION FROM AMPHENOL CANADA CORP.

UNLESS OTHERWISE SPECIFIED DIMENSIONS ARE IN MILLIMETERS TOLERANCES ARE: DECIMALS X.X ± 0.38 X.XX ± 0.25 MATERIAL AND FINISH SEE NOTE 1 REF. CODE IDENT. NO. 03554	<b>APPROVALS</b>	<b>DATE</b>	<b>Amphenol Canada Corp.</b>
	DRAWN Jane.Z DESIGNED CHECKED J.SI QA APPD IE APPD DWG APPD A.G	MAR13/09  MAR25/09  MAR25/09	
			SIZE A3 DWG. NO. P-U77-CX61M-X081 SCALE 2:1 PROJECT SHEET 6 OF 11

- NOTES:  
 1. DATUM AND BASIC DIMENSIONS ESTABLISHED BY CUSTOMER.  
 2. PADS AND VIAS ARE CHASSIS GROUND.  
 3. THRU-HOLES, PLATING OPTIONAL.  
 4. SEE DRAWINGS P-UX76-A20-X00XX FOR CONNECTOR LAYOUT.

REVISIONS				
REV.	ECN/E-R	DESCRIPTION	DATE	APPROVED
A		PROPOSAL	MAR25/09	
B		UPDATED	APR21/09	
C		B-B APPLICATIONS ADDED	MAY25/09	



**RECOMMENDED PCB DESIGN FOR BELLY TO BELLY MOUNTING**

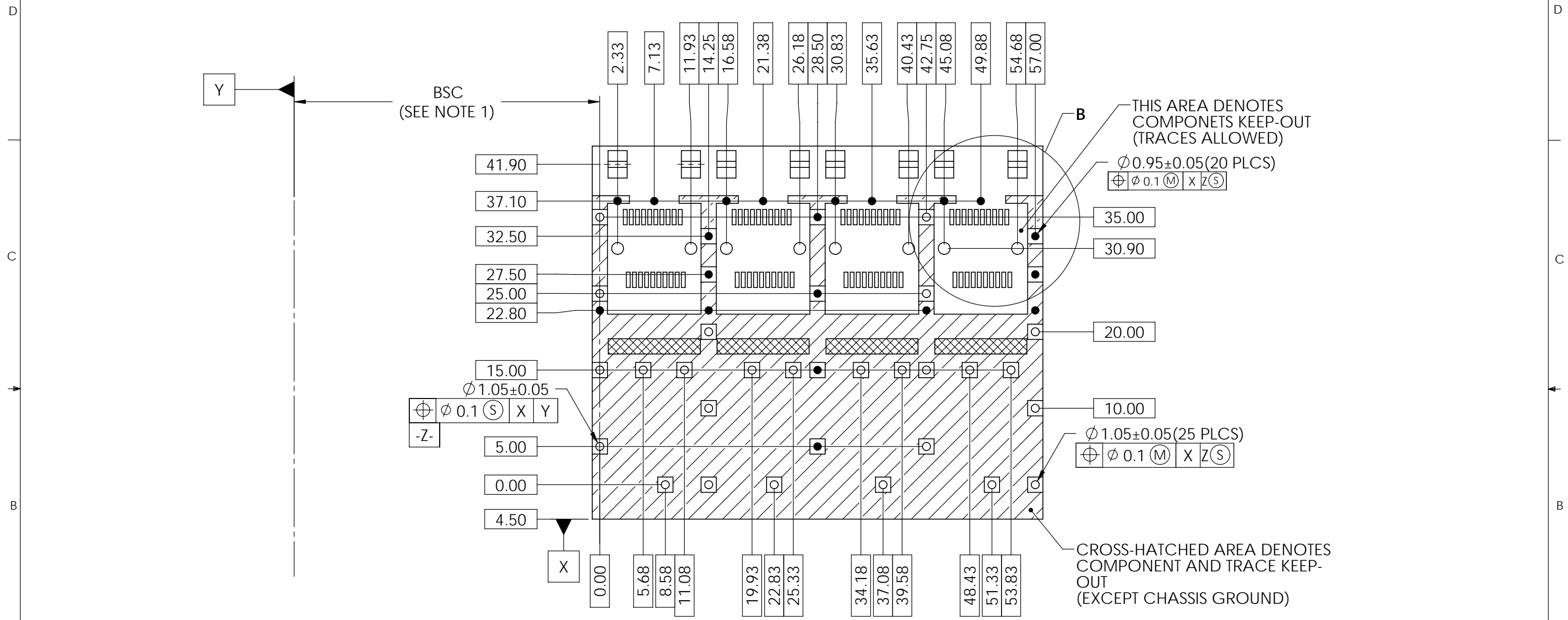
DO NOT SCALE DRAWING

THIS DOCUMENT CONTAINS PROPRIETARY INFORMATION AND SUCH INFORMATION MAY NOT BE DISCLOSED TO OTHERS FOR ANY PURPOSE OR USED FOR MANUFACTURING PURPOSES WITHOUT PERMISSION FROM AMPHENOL CANADA CORP.

UNLESS OTHERWISE SPECIFIED DIMENSIONS ARE IN MILLIMETERS TOLERANCES ARE: DECIMALS: X.X ± 0.38, X.XX ± 0.25 ANGLES: ± 1°		<b>APPROVALS</b>		<b>DATE</b>		<b>Amphenol Canada Corp.</b>	
MATERIAL AND FINISH: SEE NOTE 1		DRAWN: Jane.Z		MAR13/09			
REF.		DESIGNED:				TITLE	
CODE IDENT. NO: 03554		CHECKED: J.SI		MAR25/09		SIZE: A3	
		QA APPD:				DWG. NO: P-U77-CX61M-X081	
		IE APPD:				REV: C	
		DWG APPD: A.G		MAR25/09		SCALE: 3:1	
						PROJECT	
						SHEET 7 OF 11	

- NOTES:  
 1. DATUM AND BASIC DIMENSIONS ESTABLISHED BY CUSTOMER.  
 2. PADS AND VIAS ARE CHASSIS GROUND.  
 3. THRU-HOLES, PLATING OPTIONAL.  
 4. SEE DRAWINGS P-UX76-A20-X00XX FOR CONNECTOR LAYOUT.

REVISIONS				
REV.	ECN/E-R	DESCRIPTION	DATE	APPROVED
A		PROPOSAL	MAR25/09	
B		UPDATED	APR21/09	
C		B-B APPLICATIONS ADDED	MAY25/09	



**RECOMMENDED PCB DESIGN  
 FOR SINGLE SIDE MOUNTING  
 (P/N U77-C461M-X081)**

**DO NOT SCALE DRAWING**

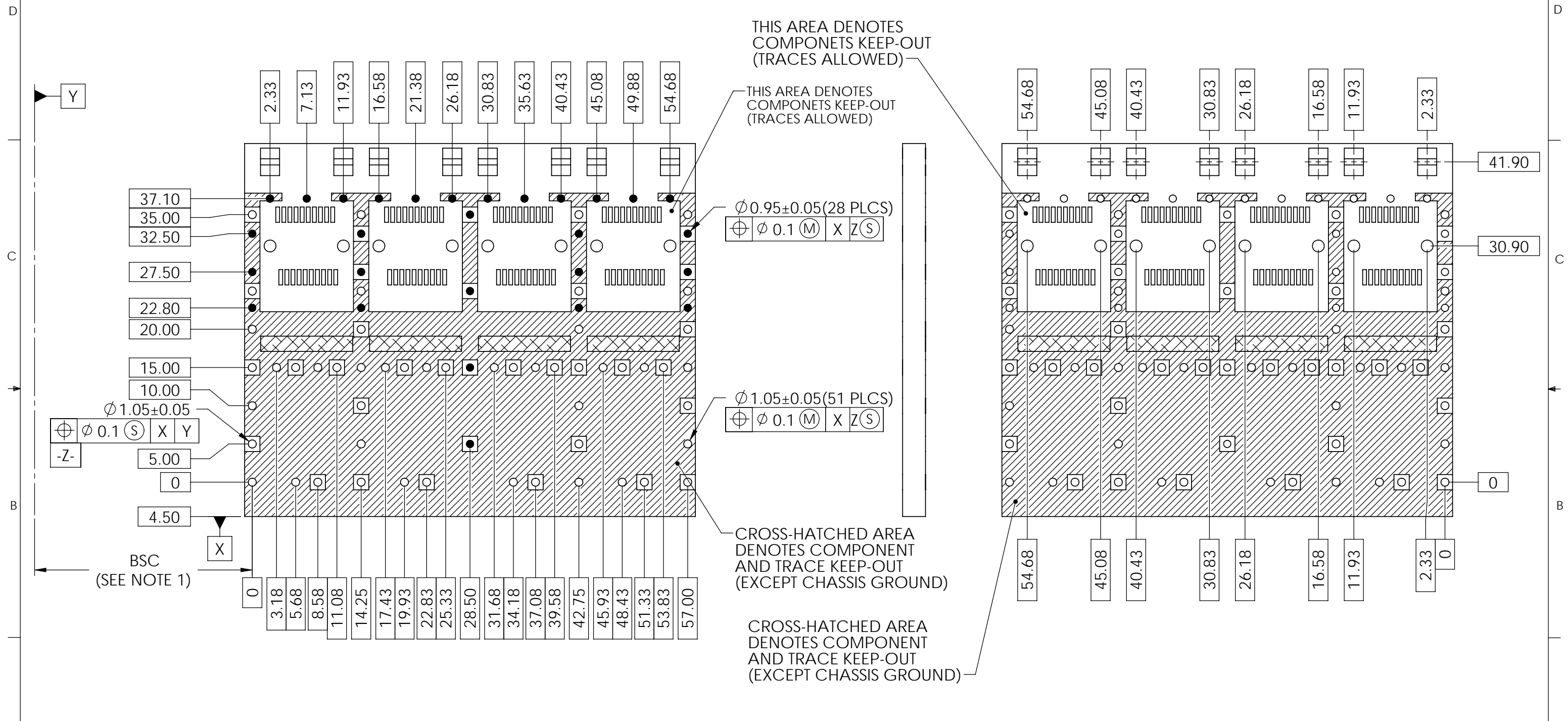
THIS DOCUMENT CONTAINS PROPRIETARY INFORMATION AND SUCH INFORMATION MAY NOT BE DISCLOSED TO OTHERS FOR ANY PURPOSE OR USED FOR MANUFACTURING PURPOSES WITHOUT PERMISSION FROM AMPHENOL CANADA CORP.

UNLESS OTHERWISE SPECIFIED DIMENSIONS ARE IN MILLIMETERS TOLERANCES ARE:  DECIMALS      ANGLES X.X ± 0.38      ± 1° X.XX ± 0.25	<b>APPROVALS</b>	<b>DATE</b>	<b>Amphenol Canada Corp.</b>	
	DRAWN Jane.Z	MAR13/09		
	CHECKED J.SI	MAR25/09	<b>1XN SFP+ CAGE SPRINGFINGER EMI, WITH LIGHT PIPE</b>	
	QA APPD			
MATERIAL AND FINISH SEE NOTE 1	IE APPD		SIZE A3	DWG. NO. P-U77-CX61M-X081
REF.	DWG APPD A.G	MAR25/09	SCALE 1:1	PROJECT
CODE IDENT. NO. 03554				SHEET 8 OF 11



- NOTES:  
 1. DATUM AND BASIC DIMENSIONS ESTABLISHED BY CUSTOMER.  
 2. PADS AND VIAS ARE CHASSIS GROUND.  
 3. THRU-HOLES, PLATING OPTIONAL.  
 4. SEE DRAWINGS P-UX76-A20-X00XX FOR CONNECTOR LAYOUT.

REVISIONS				
REV.	ECN/E-R	DESCRIPTION	DATE	APPROVED
A		PROPOSAL	MAR25/09	
B		UPDATED	APR21/09	
C		B-B APPLICATIONS ADDED	MAY25/09	



**RECOMMENDED PCB DESIGN  
 FOR BELLY TO BELLY MOUNTING**

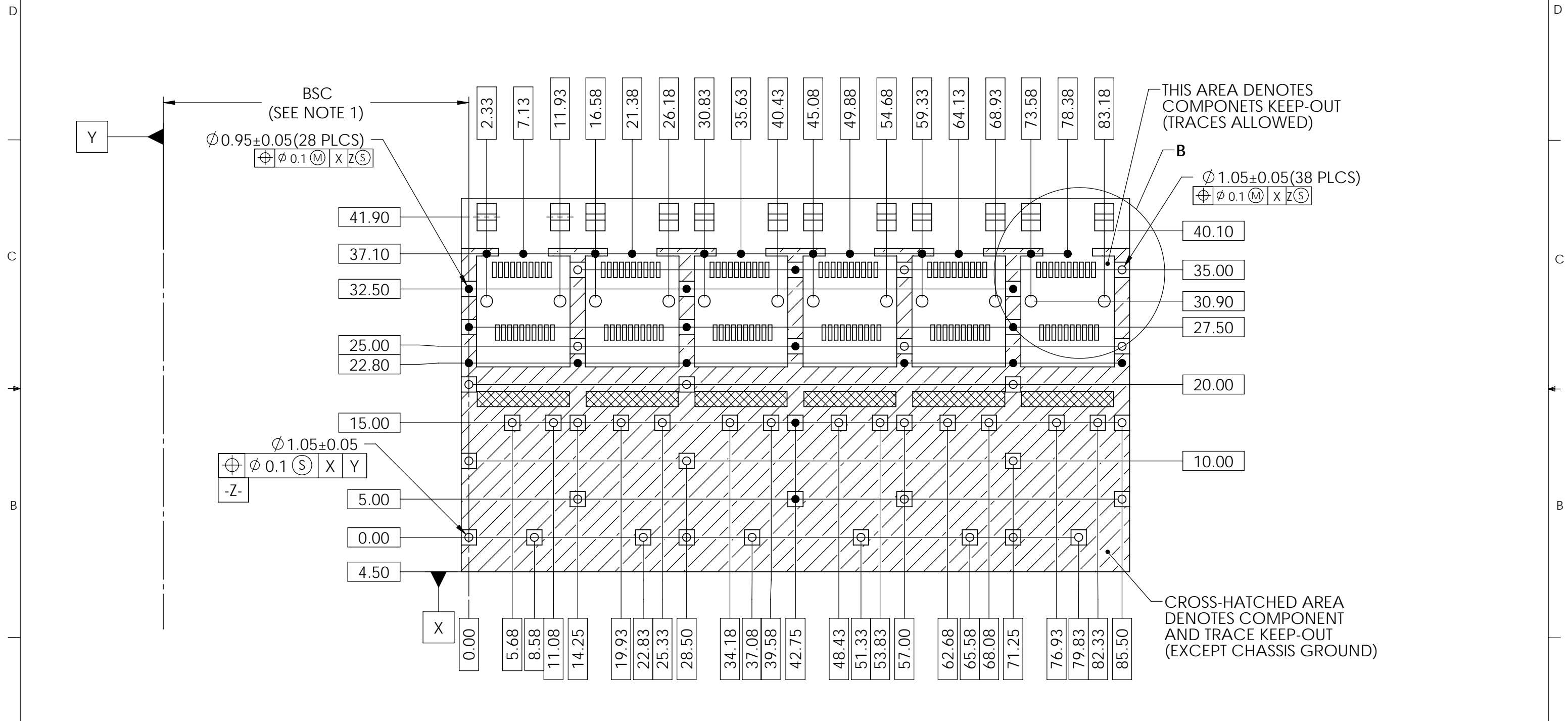
**DO NOT SCALE DRAWING**

THIS DOCUMENT CONTAINS PROPRIETARY INFORMATION AND SUCH INFORMATION MAY NOT BE DISCLOSED TO OTHERS FOR ANY PURPOSE OR USED FOR MANUFACTURING PURPOSES WITHOUT PERMISSION FROM AMPHENOL CANADA CORP.

UNLESS OTHERWISE SPECIFIED DIMENSIONS ARE IN MILLIMETERS TOLERANCES ARE:  DECIMALS X.X ± 0.38 X.XX ± 0.25  ANGLES ± 1°  MATERIAL AND FINISH SEE NOTE 1  REF.  CODE IDENT. NO. 03554	<b>APPROVALS</b>	<b>DATE</b>	<b>Amphenol Canada Corp.</b>  TITLE <b>1XN SFP+ CAGE SPRINGFINGER EMI, WITH LIGHT PIPE</b>
	DRAWN Jane.Z DESIGNED CHECKED J.SI QA APPD	MAR13/09  MAR25/09	
	IE APPD		SIZE A3 DWG. NO. P-U77-CX61M-X081 REV. C
	DWG APPD A.G	MAR25/09	SCALE 2:1 PROJECT SHEET 9 OF 11

- NOTES:  
 1. DATUM AND BASIC DIMENSIONS ESTABLISHED BY CUSTOMER.  
 2. PADS AND VIAS ARE CHASSIS GROUND.  
 3. THRU-HOLES, PLATING OPTIONAL.  
 4. SEE DRAWINGS P-UX76-A20-X00XX FOR CONNECTOR LAYOUT.

REVISIONS				
REV.	ECN/E-R	DESCRIPTION	DATE	APPROVED
A		PROPOSAL	MAR25/09	
B		UPDATED	APR21/09	
C		B-B APPLICATIONS ADDED	MAY25/09	



**RECOMMENDED PCB DESIGN  
 FOR SINGLE SIDE MOUNTING  
 (P/N U77-C661M-X081)**

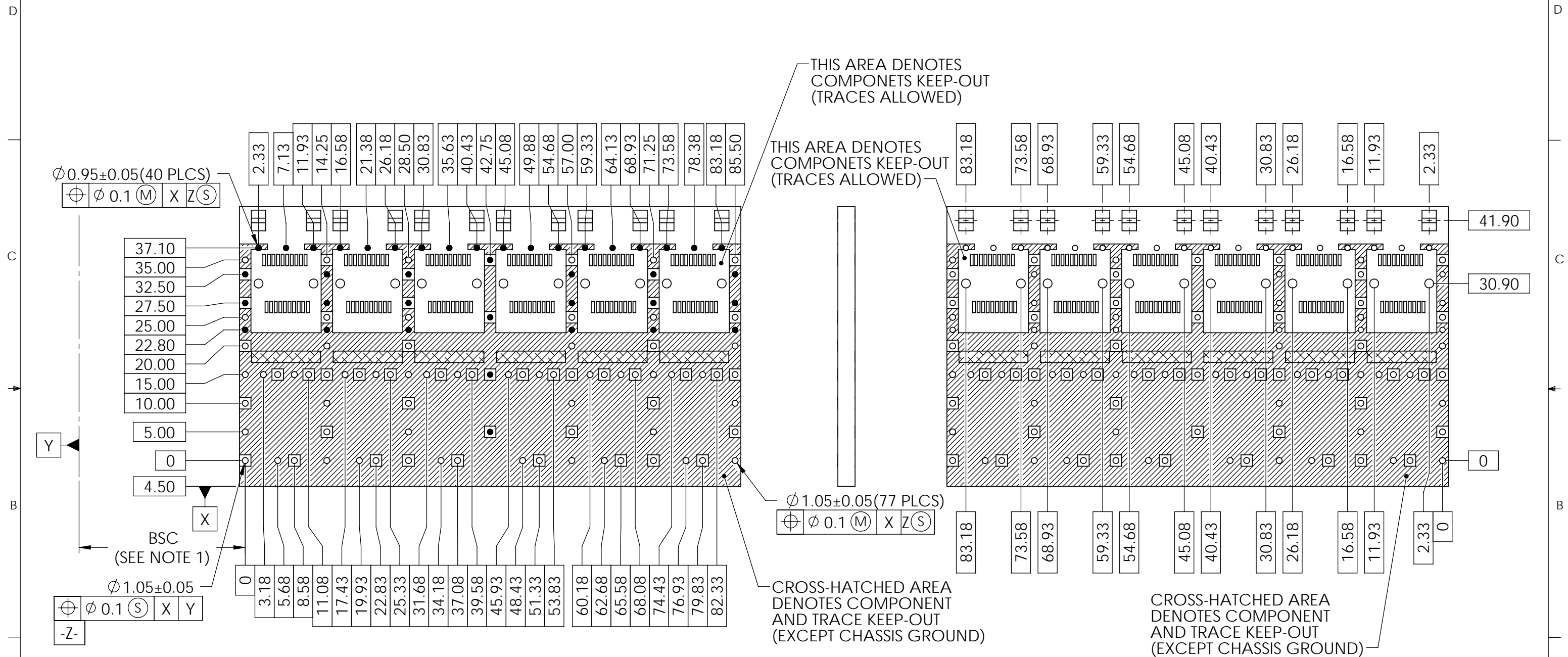
**DO NOT SCALE DRAWING**

THIS DOCUMENT CONTAINS PROPRIETARY INFORMATION AND SUCH INFORMATION MAY NOT BE DISCLOSED TO OTHERS FOR ANY PURPOSE OR USED FOR MANUFACTURING PURPOSES WITHOUT PERMISSION FROM AMPHENOL CANADA CORP.

UNLESS OTHERWISE SPECIFIED DIMENSIONS ARE IN MILLIMETERS TOLERANCES ARE:  DECIMALS X.X ± 0.38 X.XX ± 0.25  MATERIAL AND FINISH SEE NOTE 1  REF.  CODE IDENT. NO. 03554	<b>APPROVALS</b>	<b>DATE</b>	<b>Amphenol Canada Corp.</b>	
	DRAWN Jane.Z DESIGNED CHECKED J.SI QA APPD IE APPD DWG APPD A.G	MAR13/09  MAR25/09  MAR25/09		
		SIZE A3 SCALE 1:1	DWG. NO. P-U77-CX61M-X081 PROJECT	REV. C SHEET 10 OF 11

- NOTES:  
 1. DATUM AND BASIC DIMENSIONS ESTABLISHED BY CUSTOMER.  
 2. PADS AND VIAS ARE CHASSIS GROUND.  
 3. THRU-HOLES, PLATING OPTIONAL.  
 4. SEE DRAWINGS P-UX76-A20-X00XX FOR CONNECTOR LAYOUT.

REVISIONS				
REV.	ECN/E-R	DESCRIPTION	DATE	APPROVED
A		PROPOSAL	MAR25/09	
B		UPDATED	APR21/09	
C		B-B APPLICATIONS ADDED	MAY25/09	



**RECOMMENDED PCB DESIGN FOR BELLY TO BELLY MOUNTING**

**DO NOT SCALE DRAWING**

THIS DOCUMENT CONTAINS PROPRIETARY INFORMATION AND SUCH INFORMATION MAY NOT BE DISCLOSED TO OTHERS FOR ANY PURPOSE OR USED FOR MANUFACTURING PURPOSES WITHOUT PERMISSION FROM AMPHENOL CANADA CORP.

UNLESS OTHERWISE SPECIFIED DIMENSIONS ARE IN MILLIMETERS TOLERANCES ARE: DECIMALS X.X ± 0.38 X.XX ± 0.25 MATERIAL AND FINISH SEE NOTE 1 REF. CODE IDENT. NO. 03554	<b>APPROVALS</b>	<b>DATE</b>	<b>Amphenol Canada Corp.</b>	
	DRAWN Jane.Z	MAR13/09		
	DESIGNED		<b>1XN SFP+ CAGE SPRINGFINGER EMI, WITH LIGHT PIPE</b>	
	CHECKED J.SI	MAR25/09		
	QA APPD		SIZE A3	DWG. NO. P-U77-CX61M-X081
	IE APPD		SCALE 3:2	PROJECT
	DWG APPD A.G	MAR25/09	SHEET 11 OF 11	REV. C