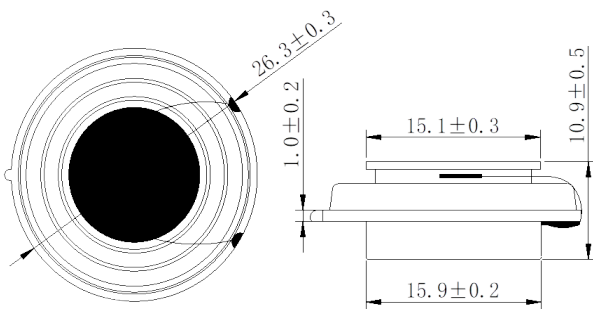


MODEL: E-2702
PRODUCT: Exciter
EDITION: A/2017

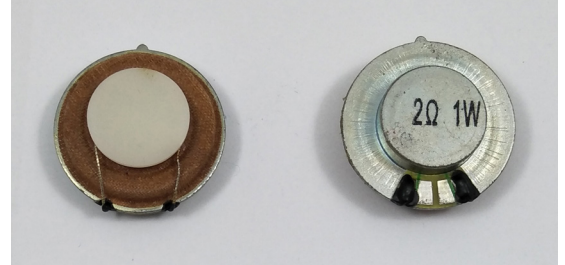


| Specification | Unit | E-2702 |
|-----------------------------|--------------------|--|
| AC Impedance | Ω | $2 \pm 15\%$ at 1000Hz |
| Rated Input Power | Watt | 1.0 |
| Max Input Power | Watt | 2.0 |
| Resonant Frequency | Hz | $400 \pm 20\%$ |
| Frequency Range | Hz | F0 ~ 20.0KHz, Average SPL ± 10 dB |
| Output Sound Pressure Level | dB | 92 ± 3 dB 1.0 Watt/10 cm, AVG. at 0.8, 1.0, 1.2, 1.5KHz |
| Operating Temperature | $^{\circ}\text{C}$ | $-20^{\circ}\text{C} \sim +50^{\circ}\text{C}$ |
| Storage Temperature | $^{\circ}\text{C}$ | $-40^{\circ}\text{C} \sim +60^{\circ}\text{C}$ |
| Dimension | mm | $\phi 26.3 \times H10.9$ |
| Distortion | | 5% maximum at 1000Hz, 1.0W |
| Polarity | | Diaphragm shall move forward when a positive DC current is applied to the "+" or "Marked" Terminal |
| Load Test | | Audio Signal Generator at 1.41Volt Total 48 hours and 20Hz ~ 20KHz resonant frequency |
| Abnormal Sound Test | | Must be normal tested at 1.41 Volt sine wave |

DIMENSIONS



Unit: mm



FREQUENCY RESPONSE

