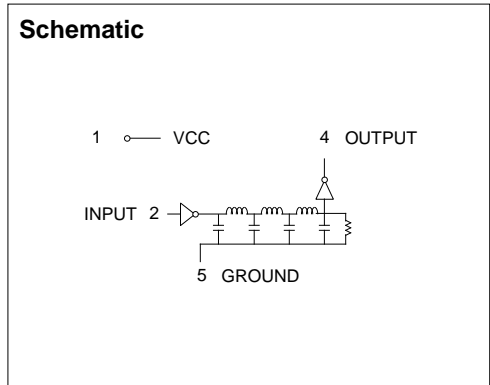


Mini SIL Single Output TTL Compatible Active Delay Lines

TIME DELAYS * (nS) ±5% or ±2 nS†	PART NUMBER	TIME DELAYS * (nS) ±5% or ±2 nS†	PART NUMBER
5	EP9748-5	60	EP9748-60
10	EP9748-10	75	EP9748-75
15	EP9748-15	100	EP9748-100
20	EP9748-20	125	EP9748-125
25	EP9748-25	150	EP9748-150
30	EP9748-30	175	EP9748-175
35	EP9748-35	200	EP9748-200
40	EP9748-40	225	EP9748-225
45	EP9748-45	250	EP9748-250
50	EP9748-50		

† Whichever is greater. *Delay Times referenced from input to leading edges at 25°C, 5.0V, with no load.

DC Electrical Characteristics			Min	Max	Unit
Parameter	Test Conditions				
V _{OH}	High-Level Output Voltage	V _{CC} = min. V _{IL} = max. I _{OH} = max	2.7		V
V _{OL}	Low-Level Output Voltage	V _{CC} = min. V _{IH} = min. I _{OL} = max		0.5	V
V _{IK}	Input Clamp Voltage	V _{CC} = min. I _I = I _{IK}		-1.2	V
I _{IH}	High-Level Input Current	V _{CC} = max. V _{IN} = 2.7V		50	µA
		V _{CC} = max. V _{IN} = 5.25V		1.0	mA
I _{IL}	Low-Level Input Current	V _{CC} = max. V _{IN} = 0.5V		-2	mA
I _{OS}	Short Circuit Output Current	V _{CC} = max. V _{OUT} = 0.	-40	-100	mA
I _{CCH}	High-Level Supply Current	V _{CC} = max. V _{IN} = OPEN		75	mA
I _{CCL}	Low-Level Supply Current	V _{CC} = max. V _{IN} = 0		75	mA
T _{RO}	Output Rise Time	T _d 500 nS (0.75 to 2.4 Volts)		4	nS
N _H	Fanout High-Level Output	V _{CC} = max. V _{OH} = 2.7V		20 TTL LOAD	
N _L	Fanout Low-Level Output	V _{CC} = max. V _{OL} = 0.5V		10 TTL LOAD	



Recommended Operating Conditions		Min	Max	Unit
V _{CC}	Supply Voltage	4.75	5.25	V
V _{IH}	High-Level Input Voltage	2.0		V
V _{IL}	Low-Level Input Voltage		0.8	V
I _{IK}	Input Clamp Current		-18	mA
I _{OH}	High-Level Output Current		-1.0	mA
I _{OL}	Low-Level Output Current		20	mA
PW*	Pulse Width of Total Delay	40		%
d*	Duty Cycle		40	%
T _A	Operating Free-Air Temperature	0	+70	°C

*These two values are inter-dependent.

Input Pulse Test Conditions @ 25° C		Unit
E _{IN}	Pulse Input Voltage	3.2 Volts
PW	Pulse Width % of Total Delay	110 %
T _{RI}	Pulse Rise Time (0.75 - 2.4 Volts)	2.0 nS
PRR	Pulse Repetition Rate @ T _d 200 nS	1.0 MHz
	Pulse Repetition Rate @ T _d > 200 nS	100 KHz
V _{CC}	Supply Voltage	5.0 Volts

