



## Series 970 PowerTrip™ Connectors and Accessories Cable Connectors 970-005 Cable Receptacle

### 970-005 CABLE RECEPTACLES



These connectors, often called “in-line,” “line” or “free-hanging” receptacles, are installed on cables for cord-to-cord applications. These connectors feature high current LouverBand contacts. Coupling threads are triple-start ACME type. EMI protected with ground spring and splined backshell interface. Standard contacts are silver plated high conductivity copper alloy, or choose gold-plated contacts for improved corrosion protection. Fluorosilicone rubber gaskets and grommets provide watertight sealing. Unassembled contacts are packaged with connector.

- EMI Protected
- High Current Contacts
- Splined Backshell Interface

#### PRODUCT FACTS

2000 VAC Sea Level DWV Rating
-65°C to +200°C Operating Temperature
6 Feet Water Immersion, 48 Hours
65 dB min. Attenuation, up to 10GHz
500 Cycles Mating Durability
MIL-S 901 Grade A High-Impact Shock
43 g Random Vibration

#### HOW TO ORDER

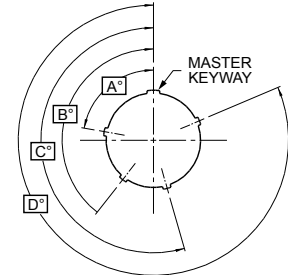
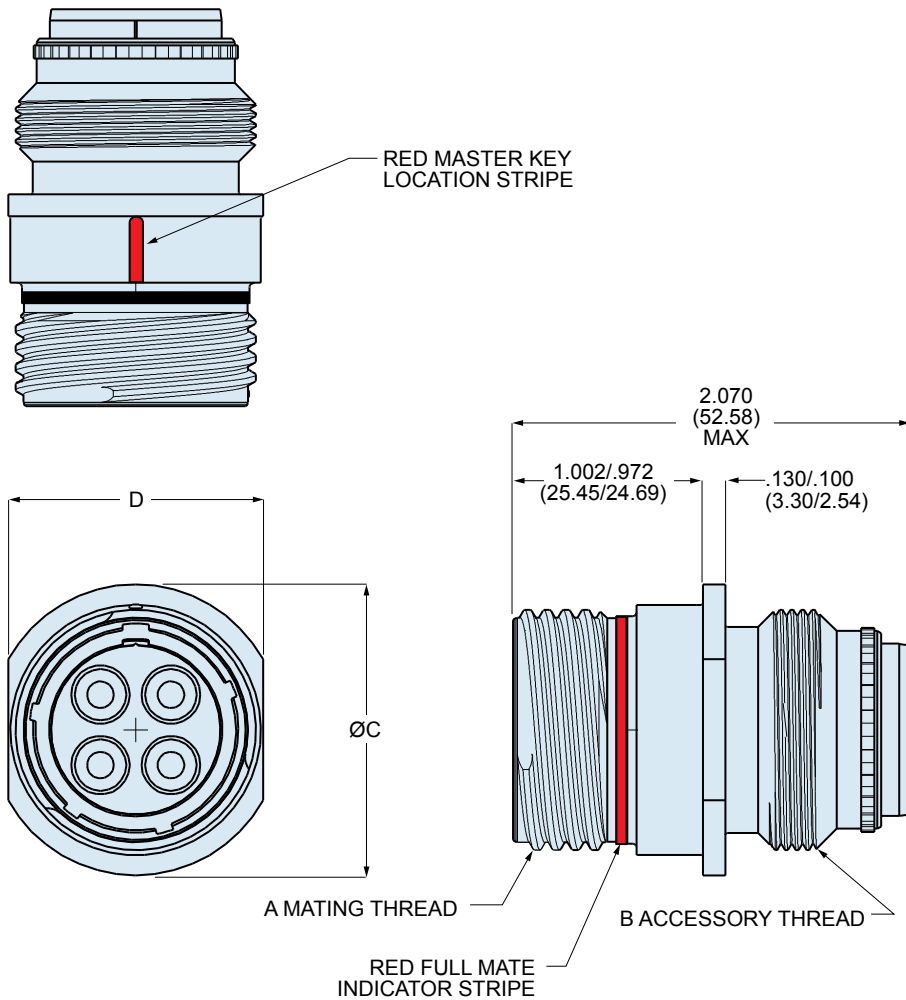
SERIES	SHELL MATL AND FINISH	SHELL SIZE - INSERT ARRANGEMENT					CONTACT TYPE AND PLATING	KEY POSITION	
		Contact Arr.	Contact Size and Qty						
970-005 Cable Receptacle	<b>ME</b> Aluminum, Electroless Nickel Finish		#16	#12	#8	#4	#1/0	<b>P1</b> Pin Contacts, Silver Plating*	<b>-1</b> Position 1
		18-2			2				
		18-4		2	2				
	<b>MT</b> Aluminum, Nickel-PTFE Finish							<b>P2</b> Pin Contacts, Gold Plating	<b>-2</b> Position 2
		20-3			3				
		20-4			4				
	<b>NF</b> Aluminum, Olive Drab Cadmium							<b>S1</b> Socket Contacts, Silver Plating*	<b>-3</b> Position 3
		20-5		2	3				
		20-7	4		3				
	<b>ZR</b> Aluminum, Black Zinc-Nickel Finish							<b>S2</b> Socket Contacts, Gold Plating	<b>-4</b> Position 4
		24-2				2			
		24-3				3			
	<b>Z1</b> Passivated Stainless Steel							<b>A</b> Pin Connector, without Contacts	<b>-5</b> Position 5
		24-5			5				
		24-6		4		2			
	<b>Z1</b> Passivated Stainless Steel							<b>B</b> Socket Connector, without Contacts	<b>-6</b> Position 6
		24-A6		3		3			
		28-4				4			
		28-8		1	7				
		28-9	5			4			
		28-15	15						
32-2						2			
32-3						3			
32-4					2	2			
32-5						5			
32-6			3		3				
32-20	1	19							
36-4					4				
36-16	3		13						
40-5					5				
40-21			21						
<b>Sample Part Number</b>									
970-005	MT		24-5				P1	-1	

\* Size 12 and 16 contacts are gold-plated. Size 8, 4 and 1/0 are silver plated.

Series 970 PowerTrip™ Connectors and Accessories  
Cable Connectors  
970-005 Cable Receptacle



970-005 CABLE RECEPTACLE CONNECTOR



KEY POSITIONS				
Position	A°	B°	C°	D°
1	80	142	196	293
2	135	170	200	310
3	49	169	200	244
4	66	140	200	257
5	62	145	180	280
6	79	153	197	272

C

DIMENSIONS						
Shell Size	A Mating Thread	B Accessory Thd	C		D	
			In. ±.010	mm. ±0.25	In. ±.005	mm. ±0.13
18	1.125-.1P-.3L-TS-2A	1.125-18 UNEF-2A	1.328	33.73	1.138	28.91
20	1.250-.1P-.3L-TS-2A	1.250-18 UNEF-2A	1.515	38.48	1.325	33.66
24	1.500-.1P-.3L-TS-2A	1.4375-18 UNEF-2A	1.703	43.26	1.513	38.43
28	1.750-.1P-.3L-TS-2A	1.8125-16 UN-2A	2.078	52.02	1.888	47.96
32	2.000-.1P-.3L-TS-2A	2.0625-16 UNS-2A	2.265	57.53	2.075	52.71
36	2.250-.1P-.3L-TS-2A	2.250-16 UN-2A	2.515	63.89	2.325	55.06
40	2.500-.1P-.3L-TS-2A	2.500-16 UN-2A	2.765	70.23	2.575	65.41