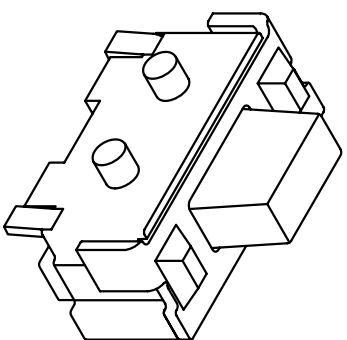
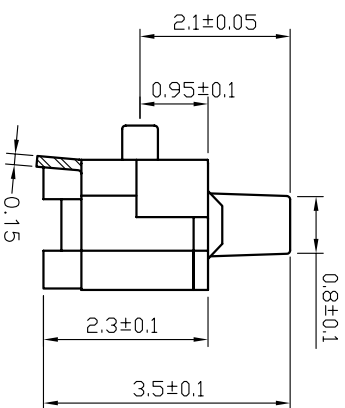
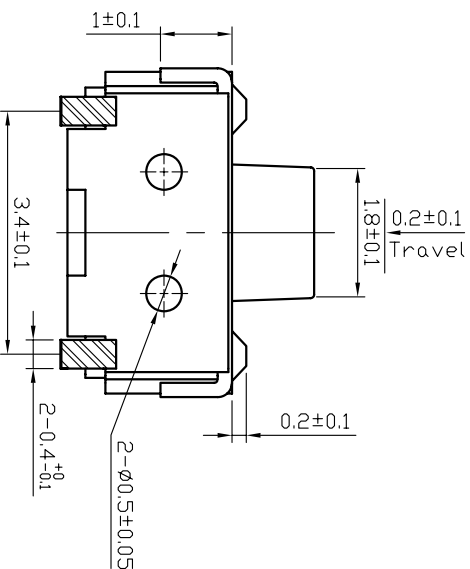


RECOMMENDED P.C.B. LAYOUT
安装尺寸图



额定负荷 Rating	DC 12V/50mA
接触电阻 Contact Resistance	100mΩ max.
绝缘电阻 Insulation resistance	DC:100V 60S 100MΩ min.
抗电强度 Dielectric strength	AC250V(50-60HZ) 60S min.
操作力 Operation force	≤160±30gf 180±30gf 250±50gf
寿命试验 Operating Life	100,000 cycles 50,000 cycles 15,000 cycles
行程 Travels	0.2±0.1mm



PRODUCT NO.: 1TS003B***-***A - CT

- 轻触开关
- 2X4系列
- 外形:
- A=单层全包
- B=单层带柱
- C=双层全包
- 按钮颜色:
- 底座颜色:
- 盖板颜色:
- 操作力度:
- 140=140gf
- 160=160gf
- 180=180gf
- 250=250gf
- 初始颜色
- 则不启用
- 材料:
- 0=初始材质
- 1=新增材质
- 依次增加
- 产品高度(H):
- 350=3.5mm
- 非编带
- 编带
- 手感:
- 0=常规
- 1=大手感
- 2=小手感
- 3=特殊手感

ITEM	PART NAME	QUANTITY	MATERIAL	FINISH
5	ACTUATOR	1	LCP	BLACK
4	COVER	1	BRASS	Ag-PLATED
3	DOME	2	STAINLESS STEEL	Ag-PLATED
2	TERMINAL	2	BRASS	Ag-PLATED
1	HOUSING	1	LCP	YELLOW

UNITS	MM	NAME(INTENDED USE)	HON YUAN
X. ± 0.3	X' ± 3	2X4 SERIES	HON YUAN PRECISION IND. CO.,LTD.
X ± 0.2	X' ± 2	TACT SWITCH	SHENZHEN, CHINA.
.XX ± 0.1	.XX' ± 1	PART NO.(INTENDED USE)	
.XXX ± 0.05	.XXX' ± 0.5	1TS003B***-***A	

FINISH	Q'TY	NAME(INTENDED USE)	CHKD	DR	SCALE	SHEET	REV.
		1TS003B***-***A	HL/LI	S.L/LI	15/1	1/1	B
			HL/LI	S.L/LI	15/1	1/1	B

