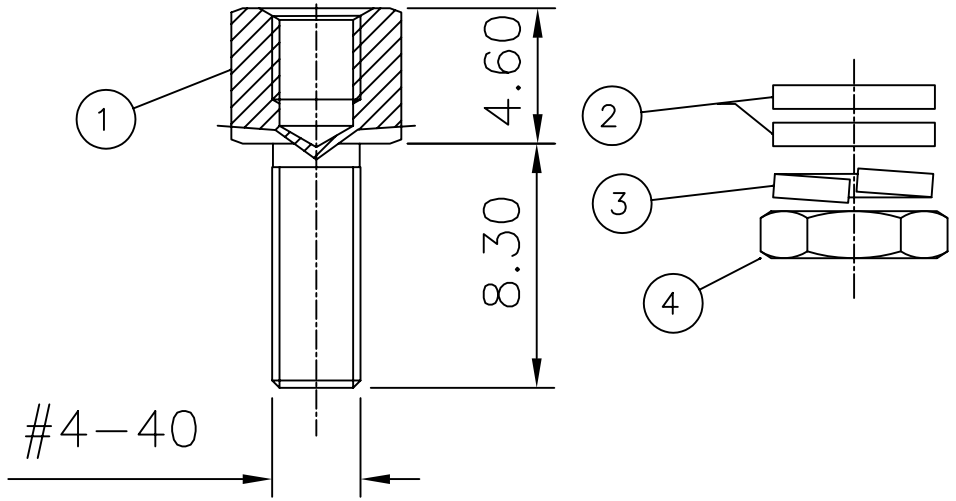
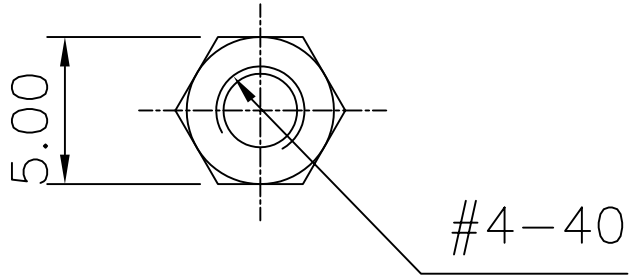


This document is the property of Amphenol Corporation and is delivered on the express condition that it is not to be disclosed, reproduced or used, in whole or in part, for manufacture or sale by anyone other than Amphenol Corporation without its prior consent, & that no right is granted to disclose or to use any information in this document.

REVISIONS				
SYM	ECN	DESCRIPTION	DATE	APPROVED
1			06/17/08	



- ① SCREWS
- ② 2 WASHERS
- ③ LOCK WASHERS
- ④ NUTS



CUSTOMER DRAWING

D-SUB TECHNICAL DATA

Plating : tinned
 delivered separately
 1 P/N = 10 lockings
 2 lockings are necessary for one connector

MARKING:
 Amphenol...(Series No.)
 Commercial reference
 Manufacturing date

UNLESS OTHERWISE SPECIFIED TOLERANCES U.S. METRIC	APPROVAL	DATE	Amphenol®
	DRAWN Lisa.peng	07/31/07	
.X +/- 0.50	CHECKED	07/31/07	TITLE Accessory, screwlock with nut and washes
.XX +/- 0.30	CHECKED		
.XXX +/- 0.20	DRAWING FILE : DRAWING.Desk\L17D204182		SIZE DRAWING NO. A4 C L17D204182X
FRACTIONS +/-	ANGLE OF PROJECTION		REV. 1
ANGLES +/- 2'	REMOVE SHARP EDGES		SCALE NONE SHEET 1 OF 1
FOR MATERIALS AND FINISHES SEE NOTES	DIMENSIONS		
	U.S. INCHES	METRIC MM	