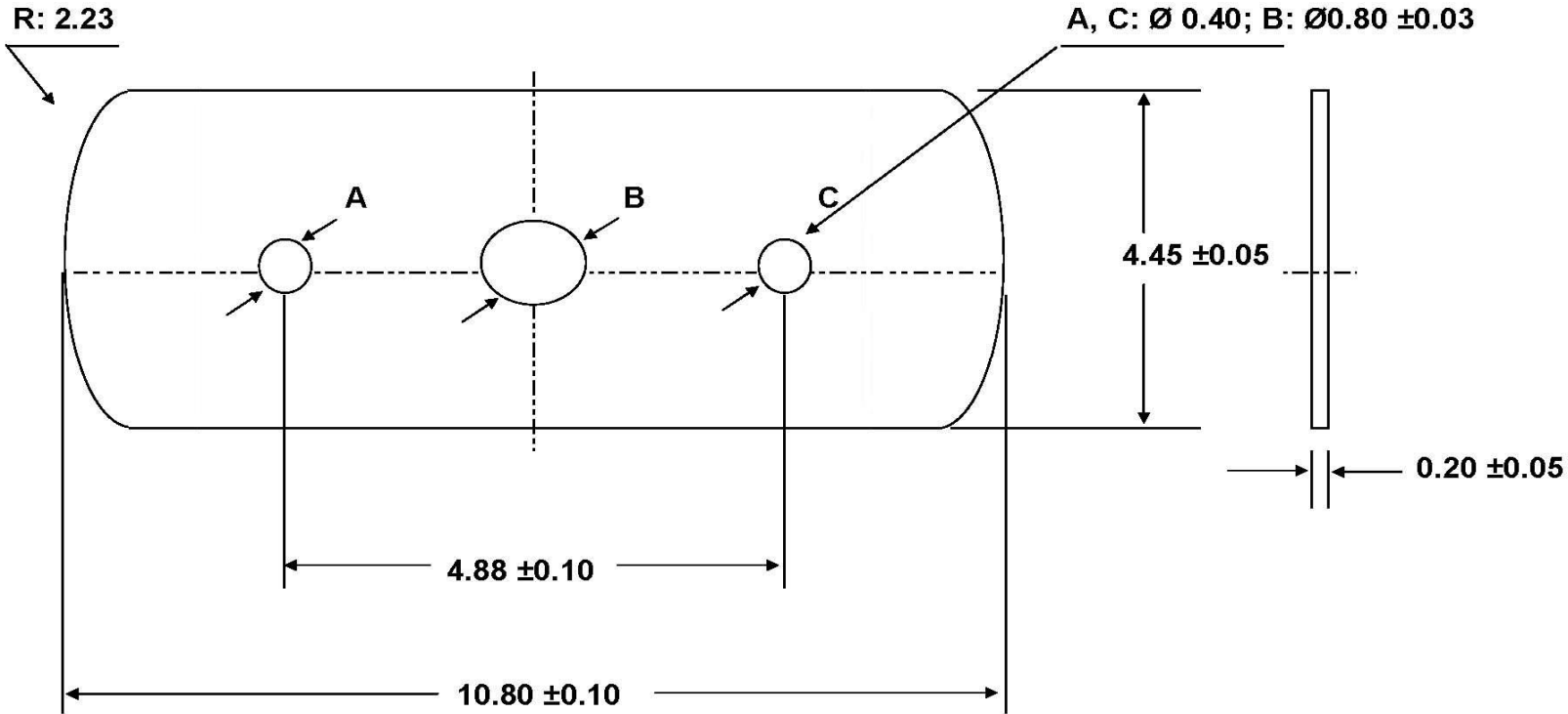


| REVISIONS |             |      |          |
|-----------|-------------|------|----------|
| REV       | DESCRIPTION | DATE | APPROVED |
|           |             |      |          |



ECS P/N: 700-TFL-9001

ECS INC. INTERNATIONAL  
 1105 S. Ridgeview  
 Olathe, KS 66062  
 (913) 782-7787

| SIGNATURES    | DATE      |
|---------------|-----------|
| DRN <b>BL</b> | 1/11/2011 |
| CHK <b>DK</b> | 1/11/2011 |
| APP <b>BS</b> | 1/11/2011 |
|               |           |

|                          |                     |     |
|--------------------------|---------------------|-----|
| TITLE                    |                     | REV |
| HC-49U/US Base Insulator |                     |     |
| SIZE<br>A                | DWG NO.700-TFL-9001 | -   |

|                         |                  |              |
|-------------------------|------------------|--------------|
| <b>Dimensions in mm</b> | CAGE CODE: 1G8B7 | SHEET 1 OF 1 |
|-------------------------|------------------|--------------|