

Customer Information Sheet

DRAWING No.: M20-783XXX

SHEET 2 OF 2

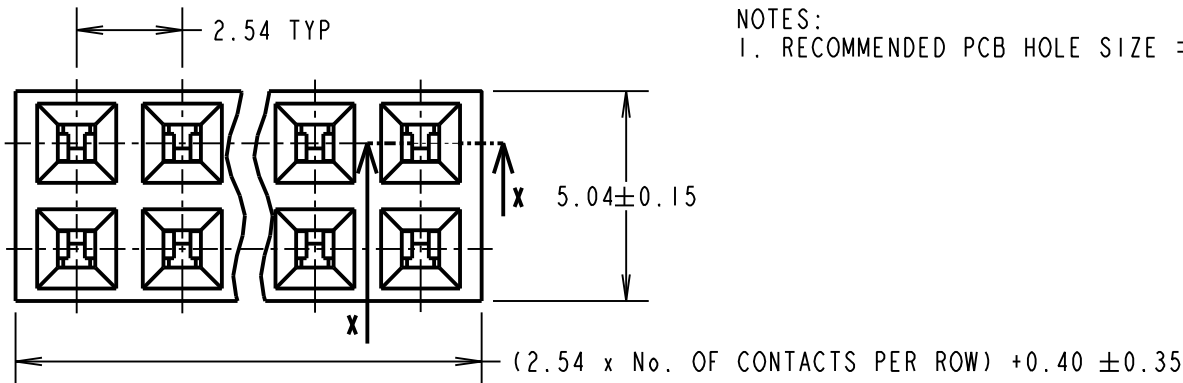
IF IN DOUBT - ASK

©

NOT TO SCALE

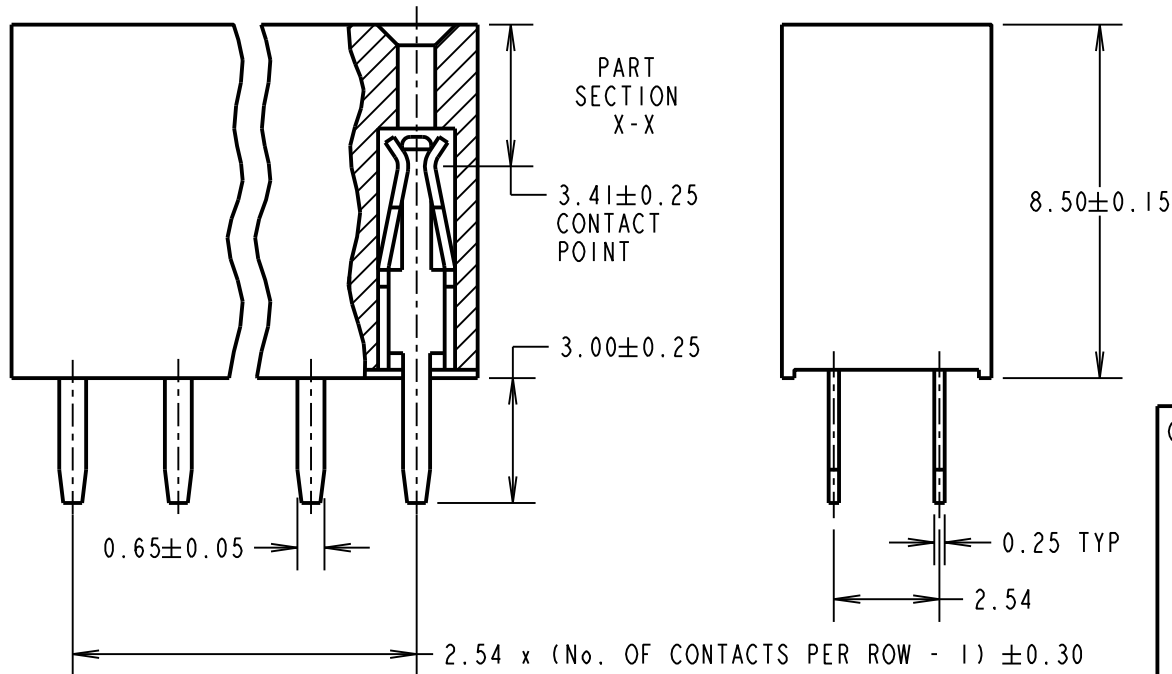
THIRD ANGLE PROJECTION

ALL DIMENSIONS IN mm



NOTES:
1. RECOMMENDED PCB HOLE SIZE = $\varnothing 1.00\text{mm}$.

SPECIFICATION:
MATERIAL:
 MOULDING = PA9T UL94V-0, BLACK
 CONTACTS = PHOSPHOR BRONZE
FINISH (OVER NICKEL):
 42 = GOLD FLASH ON CONTACT AREA,
 100% TIN ON TAILS
 46 = 100% TIN
ELECTRICAL:
 CURRENT RATING = 3A
 VOLTAGE PROOF = 1000V AC
 CONTACT RESISTANCE = $20\text{m}\Omega$ MAX
 INSULATION RESISTANCE = $1,000\text{M}\Omega$ MIN
ENVIRONMENTAL:
 TEMPERATURE RANGE = -40°C TO $+105^{\circ}\text{C}$
MECHANICAL:
 INSERTION FORCE = 1.96N MAX
 WITHDRAWAL FORCE = 0.29N MIN
 DURABILITY = 300 OPERATIONS
PACKING:
 TUBE
 FOR COMPLETE SPECIFICATION SEE COMPONENT SPECIFICATION C001XX (LATEST ISSUE)



ORDER CODE: **M20-783XXX**

No. OF CONTACTS PER ROW: _____
 02 TO 20, 25, 32, 36

FINISH: _____
 42 = SELECTIVE GOLD / 100% TIN
 46 = 100% TIN

JWP	13	01.08.17	20398
NAME	ISS.	DATE	C/NOTE
APPROVED: W. J. PRESTON			
CHECKED: S. BENNETT			
DRAWN: J. EVANS			
CUSTOMER REF.:			
ASSEMBLY DRG:			

HARWIN

www.harwin.com
 technical@harwin.com

THIS DRAWING AND ANY INFORMATION OR DESCRIPTIVE MATTER SET OUT HEREON ARE CONFIDENTIAL AND COPYRIGHT PROPERTY OF THE HARWIN GROUP AND MUST NOT BE DISCLOSED, LOANED, COPIED OR USED FOR MANUFACTURING, TENDERING OR FOR ANY OTHER PURPOSE WITHOUT THEIR WRITTEN PERMISSION.

TOLERANCES
 X. = $\pm 1\text{mm}$
 X.X = $\pm 0.50\text{mm}$
 X.XX = $\pm 0.10\text{mm}$
 X.XXX = $\pm 0.01\text{mm}$
 ANGLES = $\pm 5^{\circ}$
 UNLESS STATED

MATERIAL:
 SEE ABOVE

FINISH: SEE ABOVE

S/AREA: mm²

TITLE:
 2.54mm PITCH DIL VERTICAL PC TAIL SOCKET ASSEMBLY

DRAWING NUMBER:
M20-783XXX

SHT
 2 OF 2