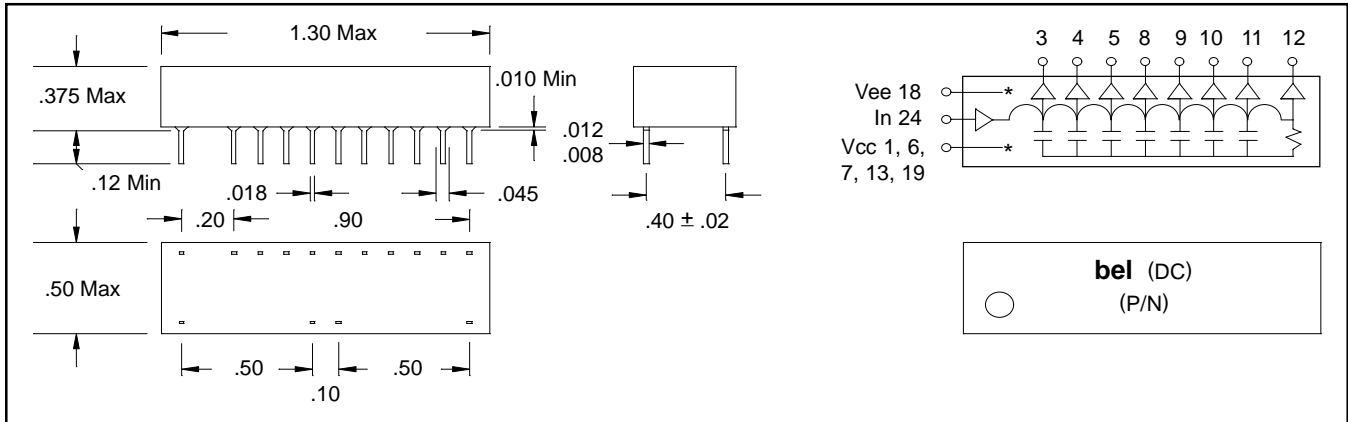


8 TAP LEADING EDGE CONTROL 100K ECL DELAY MODULES

Cat 42-R0



Part Numbers

Thru-Hole	Total Delay	Delay per Tap	Rise Time
0461-0016-01	16 ns	2.0 ns	3 ns
0461-0020-01	20 ns	2.5 ns	3 ns
0461-0024-01	24 ns	3.0 ns	3 ns
0461-0028-01	28 ns	3.5 ns	3 ns
0461-0032-01	32 ns	4.0 ns	3 ns
0461-0036-01	36 ns	4.5 ns	3 ns
0461-0040-01	40 ns	5.0 ns	3 ns
0461-0044-01	44 ns	5.5 ns	3 ns
0461-0048-01	48 ns	6.0 ns	3 ns
0461-0052-01	52 ns	6.5 ns	3 ns
0461-0056-01	56 ns	7.0 ns	3 ns
0461-0060-01	60 ns	7.5 ns	4 ns
0461-0064-01	64 ns	8.0 ns	4 ns
0461-0068-01	68 ns	8.5 ns	4 ns
0461-0072-01	72 ns	9.0 ns	4 ns
0461-0076-01	76 ns	9.5 ns	4 ns
0461-0080-01	80 ns	10.0 ns	4 ns

Test Conditions @ 25°C

Ein	Pulse Voltage, Logic 1	-0.9 Volts
	Pulse Voltage, Logic 0	-1.7 Volts
Trin	Rise Time	1.0 ns (20%-80%)
PW	Pulse Width	Total Delay + 10 ns
PP	Pulse Period	4 x Pulse Width
Vee	Supply Voltage	-5.0 Volts

Electrical Characteristics

	Min.	Max.	Units
Vee	-4.2	-5.7	V
Vih	-1165	-870	mV
Vil	-1830	-1475	mV
Voh	-1025	-870	mV
Vol	-1830	-1620	mV
lih		240	ua
lil	0.50		ua
Ta	0°	70°	C
PW	40		%
d		50	%
Tc	300 PPM/°C Typ.		

Tolerances

Input to Taps ± 1 ns or 4% , Whichever is Greater
Delays measured @ 50% levels on Leading Edge only
with outputs terminated in 50 ohm $\pm 1\%$ to -2 V
Rise Times measured from 20% to 80% levels

Notes

Epoxy encapsulated
Compatible with 100K ECL circuits
Performance warranty is limited to specified parameters listed

Drive Capabilities

Fan-out capabilities 70 ECL Loads Max.

Other Delays and Tolerances Available Consult Sales

Specifications subject to change without notice.

Corporate Office

Bel Fuse Inc.
198 Van Vorst Street, Jersey City, NJ 07302-4496
Tel: 201-432-0463
Fax: 201-432-9542
E-Mail: BelFuse@belfuse.com
Internet: http://www.belfuse.com

Far East Office

Bel Fuse Ltd.
8F/8 Luk Hop Street
San Po Kong
Kowloon, Hong Kong
Tel: 852-2328-5515
Fax: 852-2352-3706

European Office

Bel Fuse Europe Ltd.
Preston Technology Management Centre
Marsh Lane, Preston PR1 8UD
Lancashire, U.K.
Tel: 44-1772-556601
Fax: 44-1772-888366