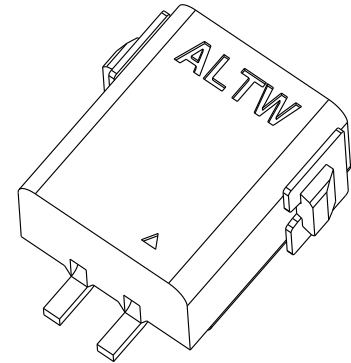
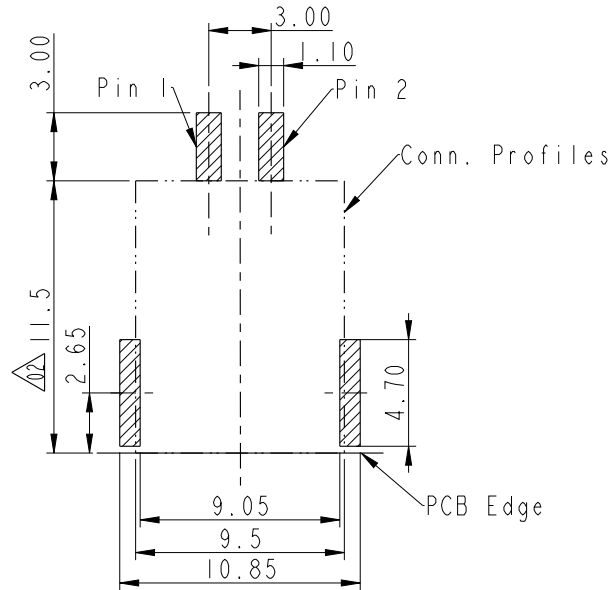
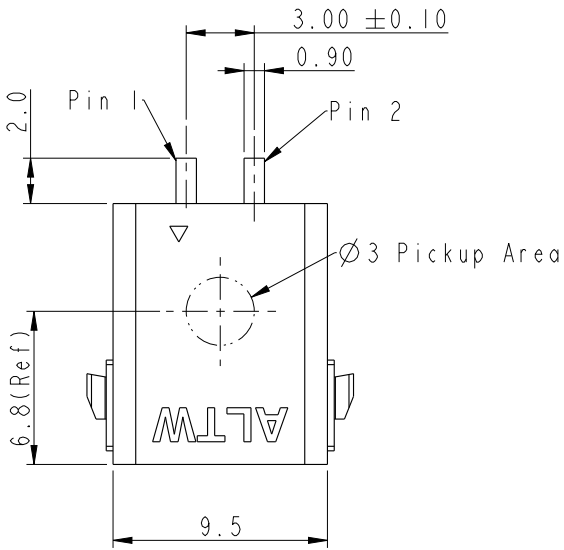


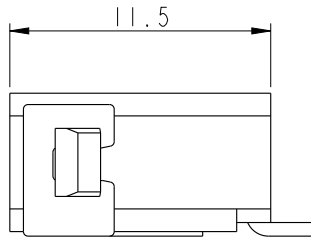
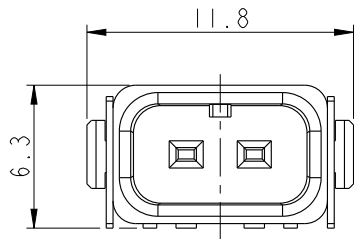
| REV. | ECN NO. | DATE | SIGN | DESCRIPTION |
|------|-----------------|------------|------|------------------|
| A | Initial Release | 2014/07/31 | Cary | Change To Rev. A |
| | | | | |

ALTW
CONFIDENTIAL
2014-07-31
R&D DEPT.

ALTW
DCC. DEPT.
CONFIDENTIAL
2014.08.12
ISSUED



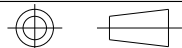
RECOMMENDED PCB LAYOUT
GENERAL TOLERANCE IS ±0.05



Notes:

- * \varnothing Important Dimension To Check.
- * Waterproof Rate: IP68(mating)
1M Depth Of Water In 24 Hours.
- * Housing: High temperature thermoplastic.
UL94V-0, color is natural white.
- * Terminal: Copper Alloy, Gold plated on contact area.
- * Solder Peg: Copper Alloy, Tin plated over Nickel.
- * Current Rating: 5A maximum.
- * Voltage Rating: 250V DC/AV maximum.
- * Operating Temperature: -40~+105°C

UNIT: mm



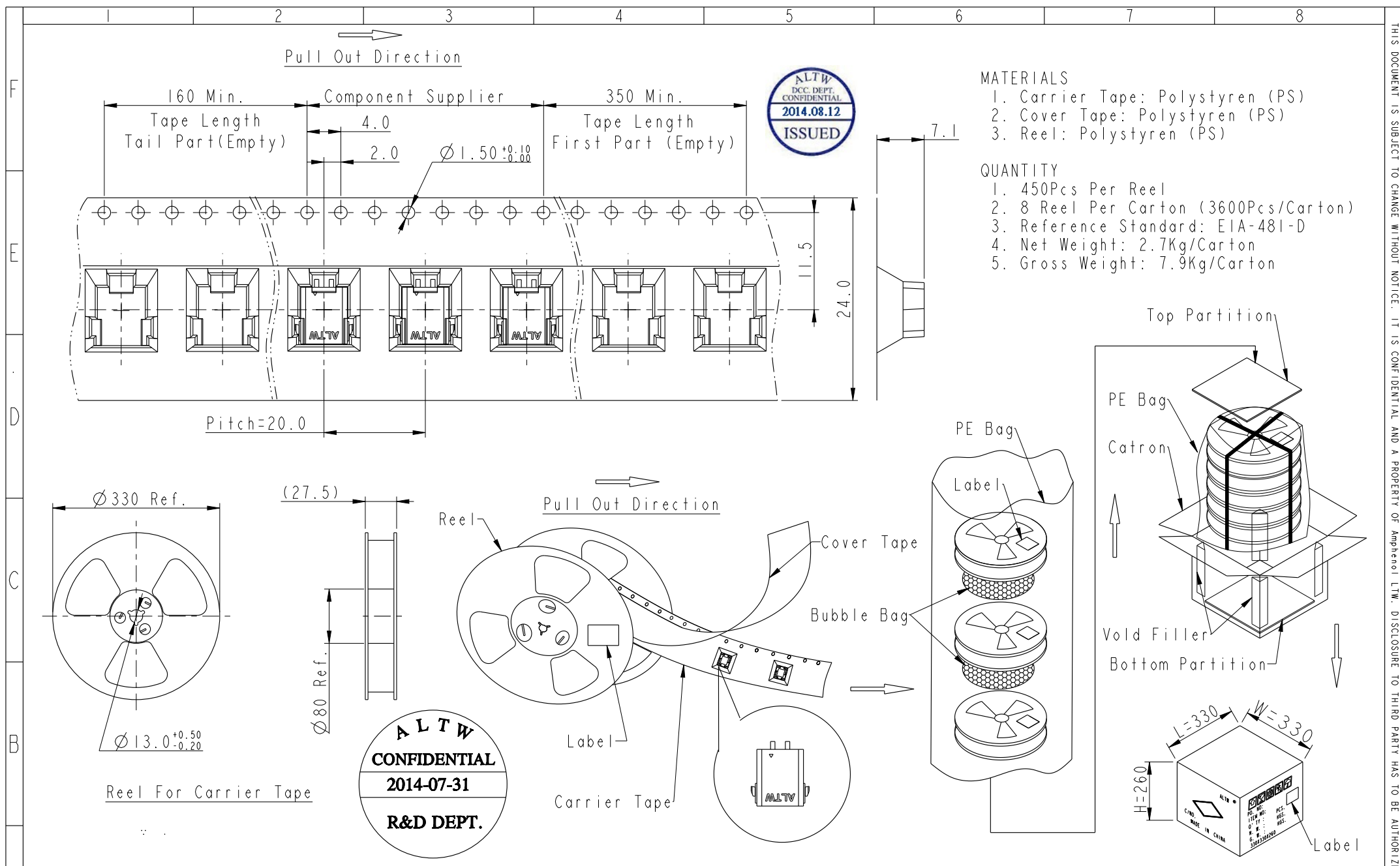
TOLERANCE
±0.5mm

| | | | |
|---------------------------------------|----------------|---------------------|--|
| TITLE SSL1.2 2P R/A SMT JACK CONN. | | | |
| SCALE 3:1 | SIZE A4 | SHEET 1 OF 2 | |
| REV. A | WC-REV. A.4 | QC: Inspection item | |

Amphenol LTW
安費諾亮泰企業股份有限公司

| | | |
|--------------------------------|----------------------|--------------------|
| ITEM NO. SSL12-J2D00-000001 | DRAWN BY Cary_liu | DATE 2014-07-31 |
| DWG NO. SSL12-J2D00-000001 | CHECKED BY Fisher | DATE 2014-07-31 |
| CUSTOMER ALTW | APPROVED BY Jerry | DATE 2014-07-31 |

THIS DOCUMENT IS SUBJECT TO CHANGE WITHOUT NOTICE. IT IS CONFIDENTIAL AND A PROPERTY OF Amphenol LTW. DISCLOSURE TO THIRD PARTY HAS TO BE AUTHORIZED BY Amphenol LTW.



- MATERIALS**
1. Carrier Tape: Polystyren (PS)
 2. Cover Tape: Polystyren (PS)
 3. Reel: Polystyren (PS)
- QUANTITY**
1. 450Pcs Per Reel
 2. 8 Reel Per Carton (3600Pcs/Carton)
 3. Reference Standard: EIA-481-D
 4. Net Weight: 2.7Kg/Carton
 5. Gross Weight: 7.9Kg/Carton

ALTW
CONFIDENTIAL
2014-07-31
R&D DEPT.

| | | | | | | | | |
|---------------------|--|--|--|---------------------------------------|--------------------------------------|-------------------------------|----------------------|--------------------|
| UNIT:mm | | | | TITLE SSL1.2 2P R/A SMT JACK CONN. | Amphenol LTW 安費諾亮泰企業股份有限公司 | ITEM NO SSL12-J2D00-000001 | DRAWN BY Cary_liu | DATE 2014-07-31 |
| TOLERANCE ±0.5mm | | | | SCALE 3:1 | SIZE A4 | SHEET 2 OF 2 | CHECKED BY Fisher | DATE 2014-07-31 |
| | | | | REV. A | WC-REV. A.4 | ◎: Inspection item | APPROVED BY Jerry | DATE 2014-07-31 |
| | | | | | | CUSTOMER ALTW | | |