

IEC Appliance Inlet C16, Screw-on Mounting, Front Side, Quick-connect or Screw-on Terminal



C16

 120° C

**Description**

- Panel Mount:
Screw-on mounting, Frontside
- Appliance Inlet, Pin temperature 120 °C, Protection class I

Approvals

- VDE License Number: 40009508
- UL License Number: E96454
- CSA License Number: 27324

References

[General Product Information](#)

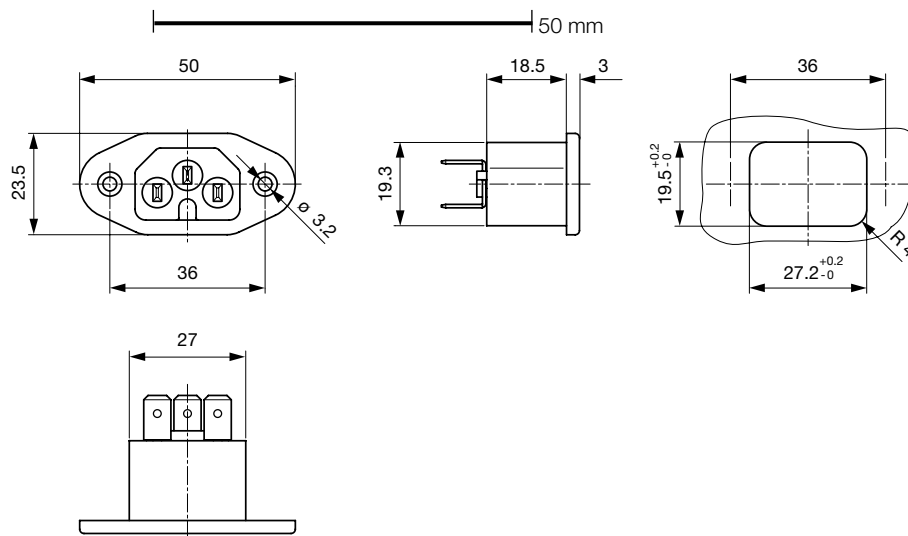
Weblinks

[Approvals](#), [RoHS](#), [CHINA-RoHS](#), [Mating Connectors](#), [Distributor-Stock-Check](#), [Accessories](#)

Technical Data

Ratings IEC	10A / 250VAC; 50Hz
Ratings UL/CSA	15A / 250VAC; 60Hz
Dielectric Strength	> 3 kVAC between L-N > 1.5 kVAC between L/N-PE (1 min/50Hz)
Allowable Operation Temp.	-25 °C to 120 °C
Degree of Protection	from front side IP 20 acc. to IEC 60529
Protection Class	Suitable for appliances with protection class 1 acc. to IEC 61140
Material: Housing	black or grey, UL 94V-0

Appliance Inlet	C16 acc. to IEC/EN 60320-1 UL 498, CSA C22.2 no. 42 (For hot conditions) pin-temperature 120 °C, 10A, Protection Class 1
-----------------	---

Dimensions

Length of the terminal please find at the order code configuration table

Config. Code

Product Configurator

0161 - H - A B C 0 - D - E G

The characters are placeholders for the correspondingly keys of selections from the key tables.

0161 - H - A B C 0 - D - E G = Type

Type	Configuration key
protection class 1	X

0161 - H - A B C 0 - D - E G = Terminals

Terminal L	Configuration key
short solder terminal (L=4,8mm)	2
blade terminal (4,8x0,8mm)	8
blade terminal (6,3x0,8mm)	9
screw terminal	A



0161 - H - A B C 0 - D - E G = Terminals

Terminal N	Configuration key
short solder terminal (L=4,8mm)	2
blade terminal (4,8x0,8mm)	8
blade terminal (6,3x0,8mm)	9
screw terminal	A

Symbols similar as in table A

0161 - H - A B C 0 - D - E G = Terminals

Terminal Ground	Configuration key
short solder terminal (L=4,8mm)	2
blade terminal (4,8x0,8mm)	8
blade terminal (6,3x0,8mm)	9
screw terminal	A

Symbols similar as in table A

0161 - H - A B C 0 - D - E G = Color

Color	Configuration key
jet black; RAL9005	A
standard color: black	

0161 - H - A B C 0 - D - E G = Style

Style	Configuration key
flange with countersunk holes	1
flange with through holes	2

0161 - H - A B C 0 - D - E G = Dimension X

Dimension "X"	Configuration key
36	
40	

The dimension "X" is displayed in ($1/_{10}$ mm). This information is also valid for the order code

Variants

Config. Code	Description	Order Number
0161-X-8880-A-136	0161, IEC Appliance Inlet C16, 120°C, version: 1, L: blade terminal (4,8x0,8mm), N: blade terminal (4,8x0,8mm), ground: blade terminal (4,8x0,8mm), color: jet black; RAL9005, design: flange with countersunk holes, dimension X: 36	0161 (1207752714813)
0161-X-9990-A-136	0161, IEC Appliance Inlet C16, 120°C, version: 1, L: blade terminal (6,3x0,8mm), N: blade terminal (6,3x0,8mm), ground: blade terminal (6,3x0,8mm), color: jet black; RAL9005, design: flange with countersunk holes, dimension X: 36	0161 (1207752795779)

The listed variants should be available from stock. Other versions on request www.schurter.com/contact

Packaging unit 50 Pcs

Mating Outlets/Connectors

Category / Description

[Connector Overview complete](#)

IEC Connector C15, Rewireable, Straight	0101
IEC Connector C15A, Rewireable, Straight	0102
IEC Connector C15A, Rewireable, Straight	0102-G
IEC Connector C15A, Rewireable, Angled	0112
IEC Connector C15, Rewireable, Straight	4781

[Connector further types to 0161](#)

...



[Power Cord Overview complete](#)

Power Cord with IEC Connector C15, Straight, 120°C	3366
--	------

Power Cord with IEC Connector C15, Angled, 120°C	3368
--	------

[Power Cord further types to 0161](#)