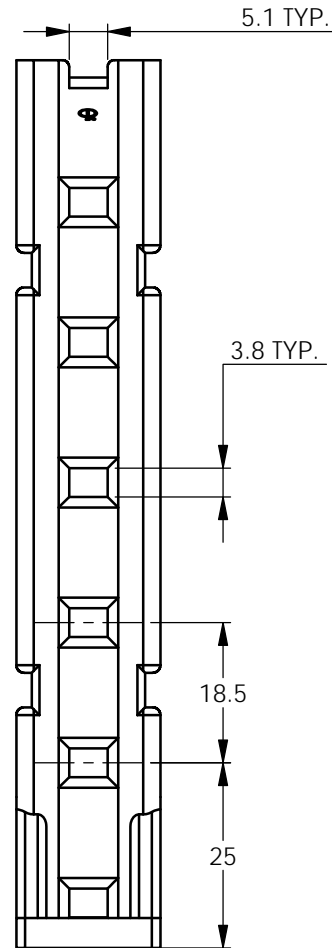
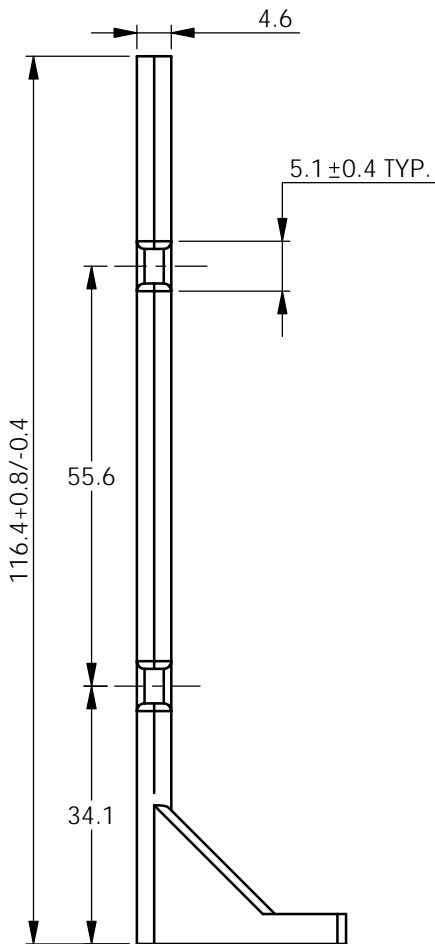


MATERIAL: UL94 V-2 NYLON 6/6, RMS-01* COLOUR: NATURAL			
PART No.	Ø "A"	CABLE TIE ACCEPTED	MOUNTING SCREW
FTH-24-01	5.3	ALL RG CABLE TIES UP TO SIZE RG-220/320	M5
FTH-24-1-01	6.4		M6
*AVAILABLE IN UL94 V-0 BY SPECIAL ORDER. TO ORDER REPLACE -01 WITH -19.			

REV.	MODIFICATION.	DATE	DRN
01	CO2011082	21/02/11	SF



INFORMATION CONTAINED IN THIS DOCUMENT IS CONFIDENTIAL TO RICHCO INTERNATIONAL Co. Ltd. AND MAY NOT BE DISCLOSED OR REPRODUCED IN WHOLE OR PART WITHOUT THEIR WRITTEN CONSENT.					
<b>RICHCO, INC.</b> WWW.RICHCO-INC.COM		ALL DIMENSIONS IN mm GENERAL TOLERANCES ±0.25 UNLESS OTHERWISE STATED 1 DECIMAL PLACE ± 2 DECIMAL PLACES ± ANGULAR ±1°		THIRD ANGLE 	
MATERIAL: SEE TABLE			COLOUR: SEE TABLE		
DESCRIPTION: FLAT TIE HOLDER			PART No: SEE TABLE		
DRG No: 011-028		NPR No: XXXX-XXX		SHEET SIZE A4	
DRN SF	DATE 21/02/11	CHKD JK	DATE 21/02/11	SCALE NTS	SHEET No. 1 OF 1