

PLEASE CHECK WWW.MOLEX.COM FOR LATEST PART INFORMATION

Part Number: [63891-7000](#)
Status: **Active**
Description: Mini-Mac™ Applicator, For Narrow Insulation Crimp

Documents:
[RoHS Certificate of Compliance \(PDF\)](#)

General

Product Family	Application Tooling
Series	T9999
Comments	<p style="margin-top: 0; margin-bottom: 0;">Use in 6313, 43275, and 41644-24 housings.</p> <p style="margin-top: 0; margin-bottom: 0;">See Tooling Specification (PDF) Above</p>
Function	Crimp
Geographic Area	Global
Level of Automation	Automatic, Semi-Automatic
More Detailed Tech Information	applicationtooling@molex.com
Product Name	Mini-Mac™
Survey	www.molex.com//review/apptool_survey.html
Tool Type	Mini-Mac Applicator
UPC	800756656137

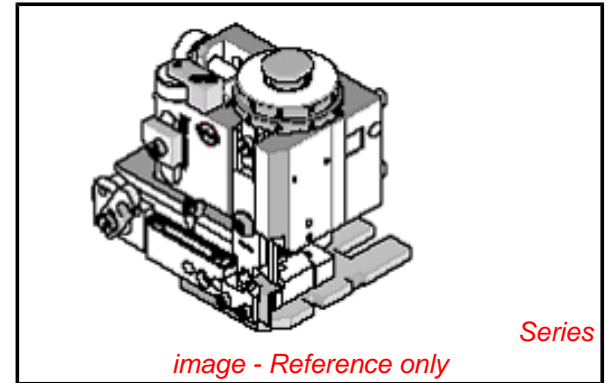
Physical

Net Weight 4883.430/g

Material Info

Reference - Drawing Numbers

Application Tooling Documents [ATS-638917000](#), [TM-638000100](#), [TM-638000100SP](#)



EU RoHS

ELV and RoHS Compliant

REACH SVHC

Not Reviewed

Low-Halogen Status

Not Reviewed

China RoHS



Need more information on product environmental compliance?

Email productcompliance@molex.com
 For a multiple part number RoHS Certificate of Compliance, [click here](#)

Please visit the [Contact Us](#) section for any non-product compliance questions.

Search Parts in this Series

[T9999Series](#)

Use With

Molex TM-3000™: [63801-7200](#) , [63801-7300](#) , Molex TM-4000™: [63801-7600](#) , Molex TM-2000™: [63800-8300](#) , [63800-8400](#) , and Most Industry Standard Presses or Wire Process Machines