

PLEASE CHECK WWW.MOLEX.COM FOR LATEST PART INFORMATION

Part Number: [0495050215](#)
Status: **Active**
Description: Bulb Socket, Sealed, For W16W, 35.50mm Socket Length, 2 Circuits

Documents:

[3D Model](#) [Product Specification PS-49505-001 \(PDF\)](#)
[Drawing \(PDF\)](#) [RoHS Certificate of Compliance \(PDF\)](#)

General

Product Family	Other Sockets
Series	49505
Comments	Sealed bulb socket for W16W
Component Type	Socket
Product Name	Bulb Socket

Physical

Circuits (Loaded)	2
Color - Resin	Gray
Durability (mating cycles max)	Contact Molex
Entry Angle	Vertical
Keying to Mating Part	N/A
Material - Resin	Nylon
PCB Retention	None
Packaging Type	Bag
Pitch - Mating Interface (in)	0.343 In
Pitch - Mating Interface (mm)	8.70 mm
Temperature Range - Operating	-40°C to +80°C

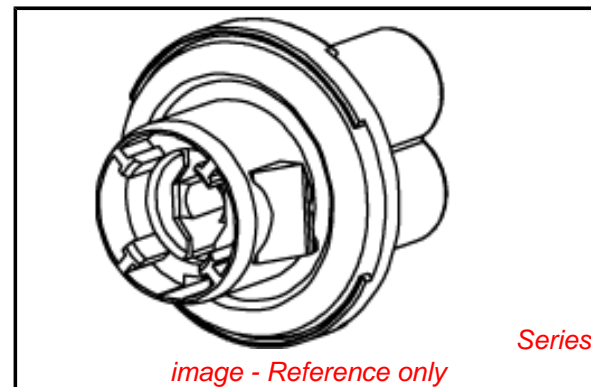
Electrical

Current - Maximum per Contact	7A
Voltage - Maximum	12V

Material Info

Reference - Drawing Numbers

Packaging Specification	PK-49505-001
Product Specification	PS-49505-001
Sales Drawing	SD-49505-002



EU RoHS

**ELV and RoHS
Compliant**
REACH SVHC
 Not Reviewed
**Halogen-Free
Status**

China RoHS



**Need more information on product
environmental compliance?**

Email productcompliance@molex.com
 For a multiple part number RoHS Certificate of
 Compliance, [click here](#)

Please visit the [Contact Us](#) section for any
 non-product compliance questions.

Search Parts in this Series

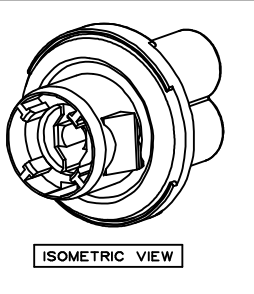
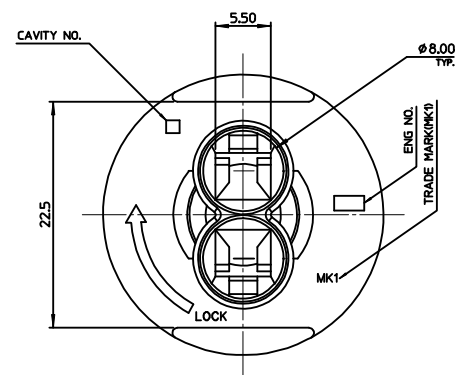
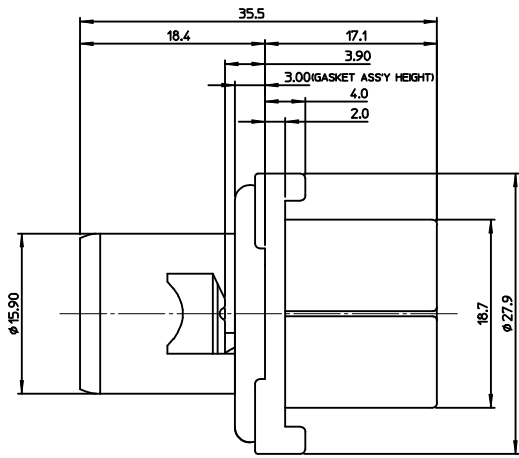
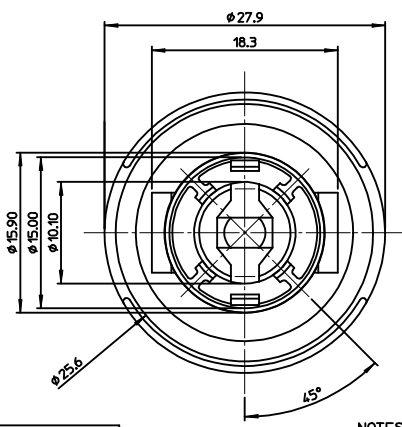
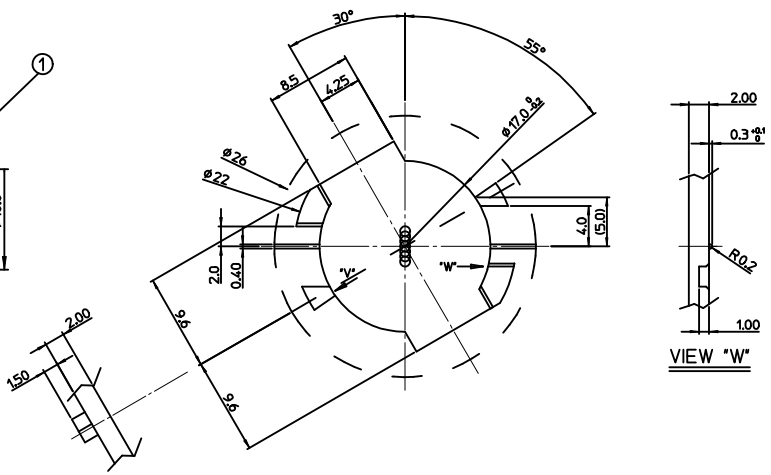
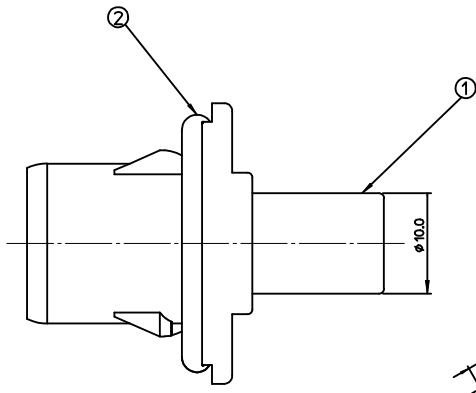
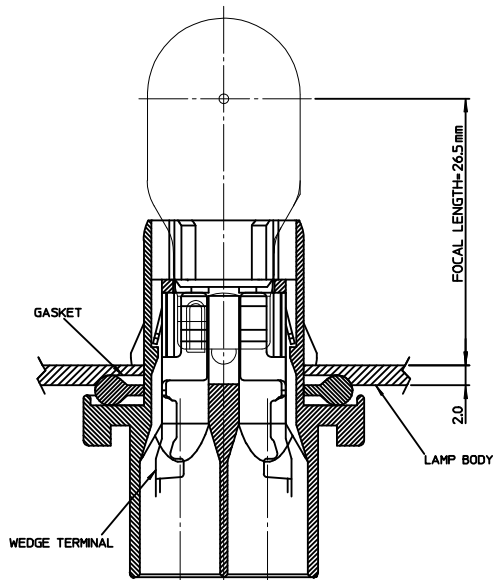
49505Series

Mates With

Lamp

Use With

35477-9002



- NOTES
1. FOCAL LENGTH ~26.5mm
 2. PRODUCT SPECIFICATION: PS-49505-001
 3. APPLICABLE WEDGE BULB CAP: W2.1X9.5d(W16W)
 4. MATES WITH

DESCRIPTION	MATERIAL	ORDER NO.	REMARK
WEDGE TERMINAL	BRASS	35477-9002	UNPLATED
TERMINAL WIRE SEAL	SILICONE	49505-9001	BLACK

<PART LIST>

NO.	DESCRIPTION	MATERIAL	USAGE	REMARK
①	WEDGE SOCKET	PA66 M/F	1	GRAY
②	GASKET	SILICONE	1	BLACK

NEW RELEASED
 EC NO: KOR2010-0010
 DRAWN BY: DRWNERKIM 2009/07/29
 CHECKED BY: CHKBYOON 2009/07/30
 APPROVED BY: APPR:YUNSIKIM 2009/07/30
 SIZE: A

QUALITY SYMBOLS	GENERAL TOLERANCES (UNLESS SPECIFIED)	DIMENSION STYLE
▽=0	mm INCH	MM ONLY
▽=0	4 PLACES ± 0.15	DRAWN BY DATE
	3 PLACES ± 0.10	EOKIM 2009/07/17
	2 PLACES ± 0.20	CHECKED BY DATE
	1 PLACE ± 0.3	BYOON 2009/07/17
	ANGULAR ± 1°	APPROVED BY DATE
		EHJUNG 2009/07/17

DRAFT WHERE APPLICABLE MUST REMAIN WITHIN DIMENSIONS

SEE TABLE 1

SIZE: A

<SEE TABLE 1>

MATERIAL NO.	ORDER NO.	REMARK
495050215	49505-0215	GRAY
495050216	49505-0216	WHITE

SCALE: 4:1 DESIGN UNITS: METRIC THIRD ANGLE PROJECTION

SEALD W16W BULB SOCKET 2P (SOCKET LENGTH=35.5MM)

MOLEX INCORPORATED

SD-49505-002

SHEET NO. 1 OF 1