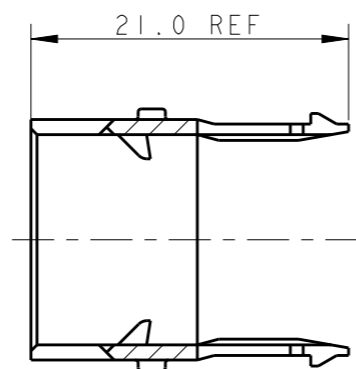
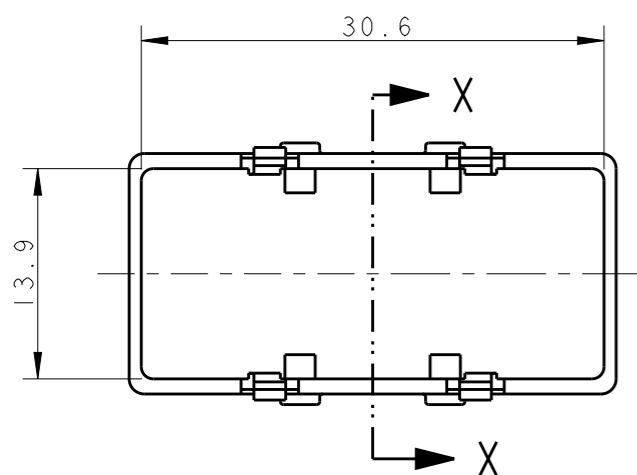


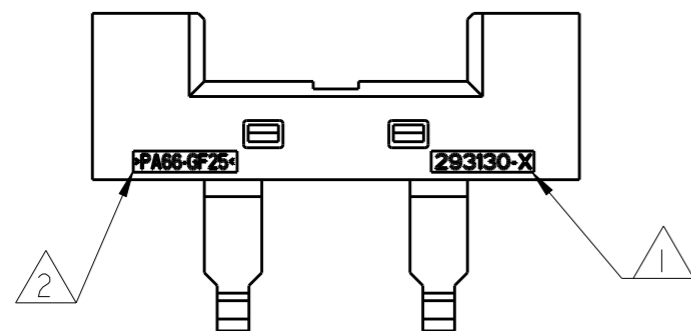
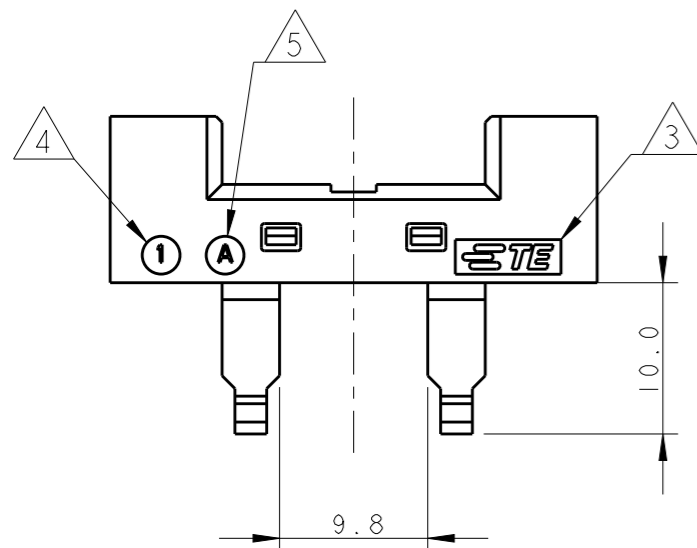
THIS DRAWING IS UNPUBLISHED. RELEASED FOR PUBLICATION 2013
© COPYRIGHT 2013 BY - ALL RIGHTS RESERVED.

LOC	DIST	REVISIONS			
P	LTR	DESCRIPTION	DATE	DWN	APVD
	A	FIRST ISSUE	11APR2006	UA	GT
	B	ECR-10-021916	25OCT2010	UA	GT
	C	ECR-13-012759	12AUG2013	DJS	JC

293130-1 AND 293130-2



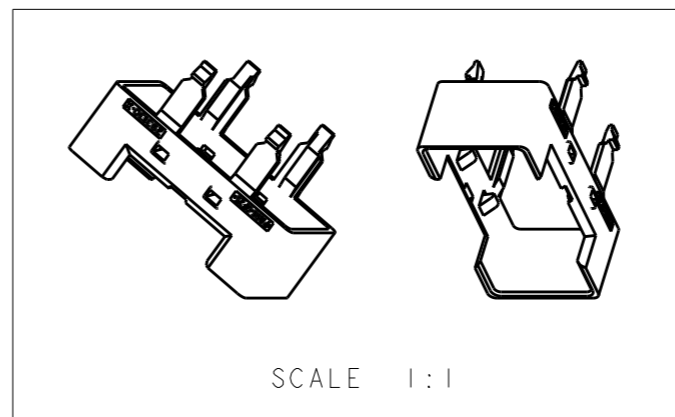
SECTION X - X



DETAILED VIEW FOR INSCRIPTIONS
SCALE 2:1

NOTES:

- 1) TE P/N
- 2) RAW MAT'L CODE
- 3) TE TRADEMARK
- 4) MOULD CAVITY IDENTIFICATION
- 5) PART REVISION
- 6) TO BE USED FOR INSTALLATIONS ACCORDING TO VDE 0606-200
- 7) USED ON TE NECTOR* CONNECTORS PANEL MOUNT VERSION
 - 293130-1 AND 293130-2 (SEE SHEET 1) USED WITH 293054-1 AND 293054-2
 - 293130-3 (SEE SHEET 2) USED WITH 1230085-3 AND 1230085-4
- 8) PACKAGED ACCORDING TO TE SPEC. 107-20252
- 9) P/N 293130-1 AND P/N293130-2 SHOWN ON SHEET 1
P/N 293130-3 SHOWN ON SHEET 2



SCALE 1:1

293130-3	BLACK	CI
293120-2	WHITE	C
293130-1	BLACK	C
TE P/N	COLOUR	PART REV.

THIS DRAWING IS A CONTROLLED DOCUMENT.		DWN U. AIME 11APR2006	<p>OBSELETE NOT the LATEST REVISION</p>
DIMENSIONS: mm		CHK U. AIME 11APR2006	
TOLERANCES UNLESS OTHERWISE SPECIFIED:		APVD G. TURCO 11APR2006	
0 PLC ±- 1 PLC ±0.3 2 PLC ±- 3 PLC ±- 4 PLC ±- ANGLES ±1 FINISH -		PRODUCT SPEC 108-20268 APPLICATION SPEC - WEIGHT -	
MATERIAL PA66-GF25 UL94-V0		CUSTOMER DRAWING	NAME SIZE CAGE CODE DRAWING NO A300779C-293130 RESTRICTED TO SCALE 2:1 SHEET 1 OF 2 REV C

THIS DRAWING IS UNPUBLISHED.

RELEASED FOR PUBLICATION

2013

© COPYRIGHT 2013 BY -

ALL RIGHTS RESERVED.

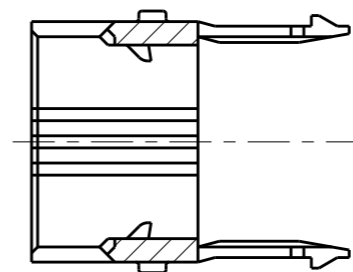
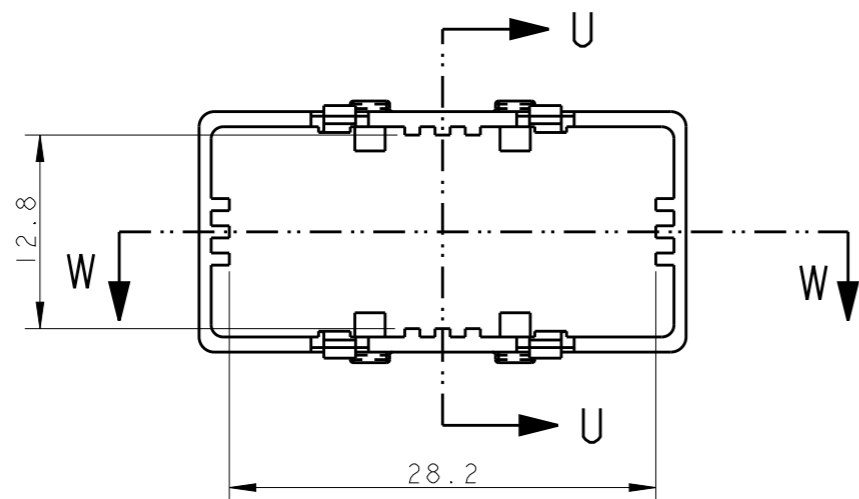
LOC

DIST

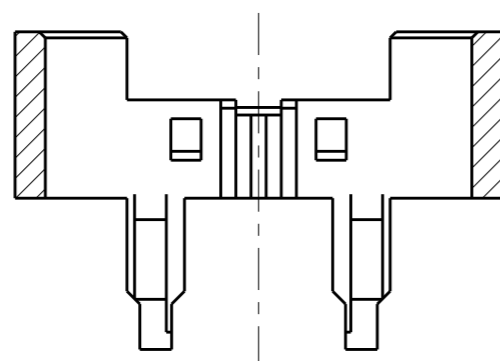
REVISIONS

P	LTR	DESCRIPTION	DATE	DWN	APVD
-	-	SEE SHEET 1	-	-	-

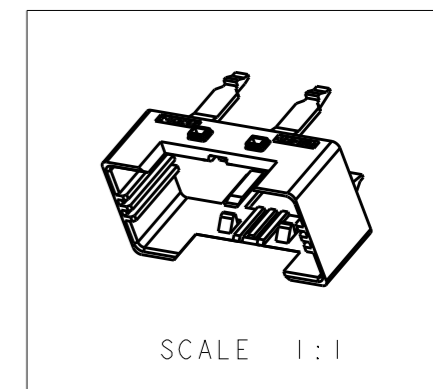
293130-3. OTHER DIMENSIONS AND ALL MARKINGS AS PER 293130-1 AND 293130-2.




SECTION U-U



SECTION W-W



ALL UNMARKED DIMENSIONS AS PER SHEET 1

THIS DRAWING IS A CONTROLLED DOCUMENT.		DWN U. AIME 11APR2006	 TE Connectivity	
DIMENSIONS: mm		CHK U. AIME 11APR2006		
TOLERANCES UNLESS OTHERWISE SPECIFIED:		APVD G. TURCO 11APR2006	NAME LOCKING FOR TE NECTOR* PANEL MOUNT FRAME VERSION	
0 PLC ±- 1 PLC ±0.3 2 PLC ±- 3 PLC ±- 4 PLC ±- ANGLES ±1 FINISH -		PRODUCT SPEC 108-20268	RESTRICTED TO	
MATERIAL PA66-GF25		APPLICATION SPEC -	SIZE A300779	DRAWING NO C-293130
		WEIGHT -	SCALE 2:1 SHEET 2 OF 2 REV C	
		CUSTOMER DRAWING		