

5V / 155 Mbps InGaAs PIN-TIA Receiver

PT-3300

InGaAs PIN-TIA WITH PIGTAIL

FEATURES

- ✧ InGaAs/InP PIN Photodiode with AGC transimpedance amplifier
- ✧ Differential ended output
- ✧ Single +5 V operation
- ✧ - 40~+85 °C operation temperature

DESCRIPTION

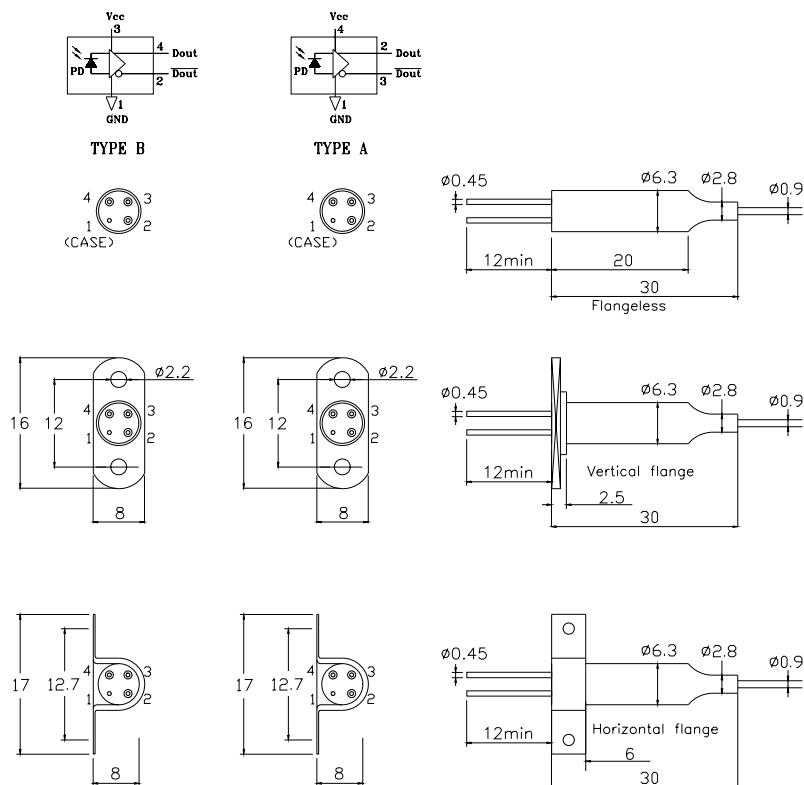
PT-3300 series are designed as optical signal receivers with AGC transimpedance amplifier. Their wide dynamic ranges, differential outputs are suited for telecommunications, especially SONET OC-3 / SDH STM-1, Fast Ethernet, and Fiber Channel.

AC / ELECTRICAL AND OPTICAL CHARACTERISTICS (Tc=25°C)						
Symbol	Parameter	Test Conditions	Min.	Typ.	Max.	Unit
	Detection Range		1100	1310	1650	nm
G	Gain@10Mbps Differential	$\lambda = 1300\text{nm}$	0.17	-	220	V/mW
BW	Bandwidth	Pf = 1 μ W	120	140		MHz
Psat	Saturation Power	$\lambda = 1300\text{nm}$	-3	0	-	dBm
Sens	Sensitivity	BER=10 ⁻¹⁰ @155Mbps	-	-38	-36	dBm
Rout	Output Resistance		-	50	65	ohm
	Operation Speed			155		Mbps

DC / ELECTRICAL CHARACTERISTICS (Tc=25°C)					
Symbol	Parameter	Min.	Typ.	Max.	Unit
Vcc	Power Supply	4.5	5	5.5	V
Icc	Supply Current (no load)	-	-	35	mA

ABSOLUTE MAXIMUM RATING (Tc=25 °C)			
Symbol	Parameter	Value	Unit
V	Voltage	6	V
Topr	Operating Temperature	-40~+85	°C
Tstg	Storage Temperature	-40~+85	°C

MECHANICAL DIMENSION (mm) and PIN ASSIGNMENT



Note: Specifications subject to change without notice.

ORDER INFORMATION

Part No.: P T - 3 3 [] [] [] - [] [] []

Code	Voltage
0	5 V
3	3.3 V

Code	Fiber
0	SMF, 9/125 μm
1	MMF, 50/125 μm
2	MMF, 62.5/125 μm

Code	PIN Assignment
Blank	Type A
B	Type B

Code	Flange
V	Vertical
H	Horizontal
X	No Flange

Code	Connector
S	SC/PC
F	FC/PC
T	ST/PC
X	No Connector
SA	SC/APC
FA	FC/APC
TA	ST/APC