

PLEASE CHECK WWW.MOLEX.COM FOR LATEST PART INFORMATION

Part Number: [0526101171](#)
Status: **Active**
Overview:
Description: 1.00mm (.039") Pitch FFC/FPC Connector, SMT, Vertical, ZIF Receptacle, 11 Circuits, Lead-free, High Barrier Packaging

Agency Certification

CSA LR19980
 UL E29179

General

Product Family FFC/FPC Connectors
 Series 52610
 Overview ffc_fpc_smt
 Product Name N/A

Physical

Circuits (Loaded) 11
 Contact Position N/A
 Durability (mating cycles max) 30
 Entry Angle Vertical
 Flammability 94V-0
 Mated Height (in) 0.226 In
 Mated Height (mm) 5.75 mm
 Material - Metal Phosphor Bronze
 Material - Plating Mating Tin-Bismuth
 Material - Plating Termination Tin-Bismuth
 Material - Resin Nylon
 Number of Rows 1
 Orientation Vertical
 PCB Locator No
 PCB Retention None
 Packaging Type Embossed Tape on Reel
 Pitch - Mating Interface (in) 0.039 In
 Pitch - Mating Interface (mm) 1.00 mm
 Polarized to PCB No
 Stackable No
 Temperature Range - Operating -40°C to +85°C
 Termination Interface: Style Surface Mount
 Wire/Cable Type FFC/FPC

Electrical

Current - Maximum per Contact 1A
 Voltage - Maximum 125V

Material Info

Reference - Drawing Numbers

Packaging Specification SPK-52610-001, SPK-52610-003
 Product Specification PS-52610-006, RPS-52610-001, RPS-52610-002, RPS-52610-004, RPS-52610-026, RPS-52610-027, RPS-52610-028, RPS-52610-031, RPS-52610-034, RPS-52610-037, RPS-52610-038, RPS-52610-040, RPS-52610-041, RPS-52610-043, RPS-52610-044, RPS-52610-046, RPS-52610-049, RPS-52610-050, RPS-52610-057, RPS-52610-058, RPS-52610-059, RPS-52610-062

EU RoHS

ELV and RoHS Compliant
REACH SVHC Contains SVHC: No
Halogen-Free Status

China RoHS



Not Halogen-Free

Need more information on product environmental compliance?

Email productcompliance@molex.com
 For a multiple part number RoHS Certificate of Compliance, [click here](#)

Please visit the [Contact Us](#) section for any non-product compliance questions.

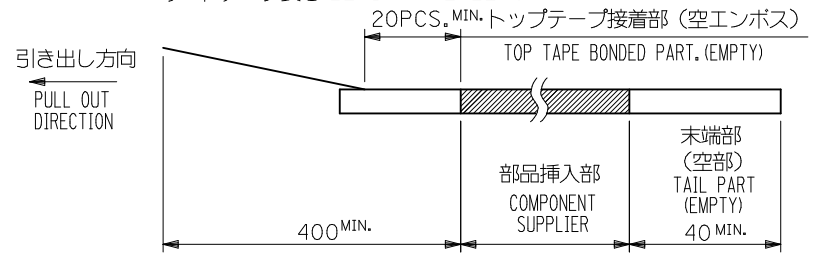
Search Parts in this Series
[52610Series](#)

This document was generated on 06/05/2010

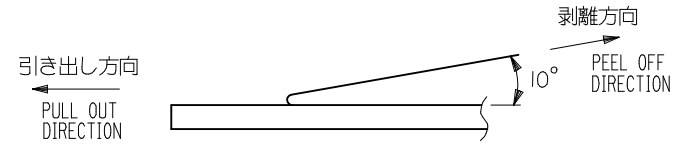
PLEASE CHECK WWW.MOLEX.COM FOR LATEST PART INFORMATION

NOTES

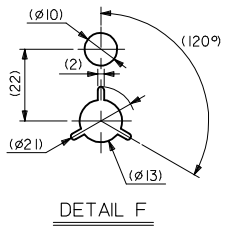
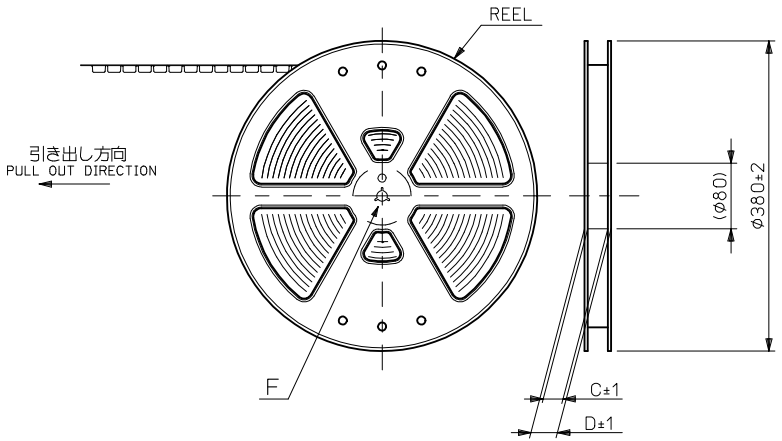
1. 梱包数量：1000個/リール
NUMBER OF CONNECTORS : 1000PCS/REEL
2. リードテープ長さ LEAD TAPE LENGTH



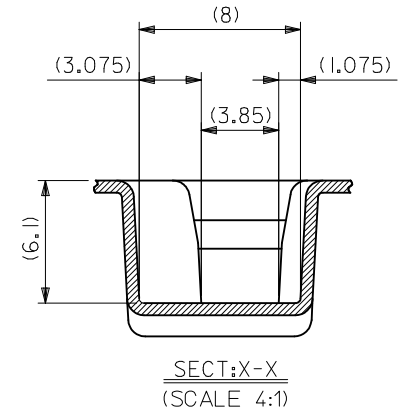
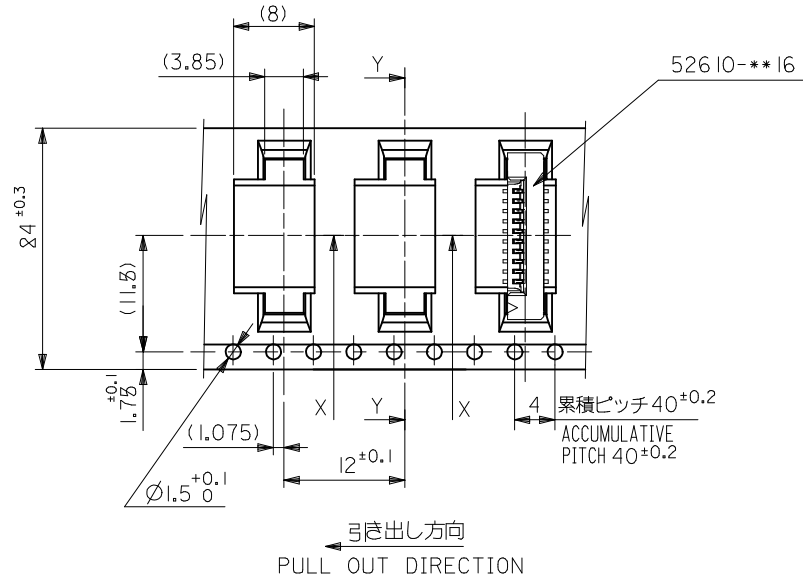
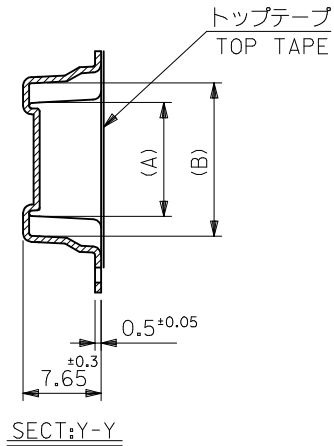
3. トップテープの剥離強度：0.1~1.3N (10gf~130gf) (剥離方向は下図参照)
尚、本規格値は出荷時に適用。(但し、輸送時に剥離が発生しないこと。)
PEELING OFF FORCE OF TOP TAPE : 0.1~1.3N (10gf~130gf)
(PEELING DIRECTION AS SHOWN IN FOLLOWING FIG.)
THIS REQUIREMENT SHOULD BE APPLIED AT SHIPMENT.
PEEL OFF SHOULD NOT BE ALLOWED , DURING TRANSPORTATION.



4. 52610-**-16のアクチュエータはハウジング内に押し下げた状態とする。
詳細寸法については 製品単体図面を参照下さい。
ACTUATOR OF PART NO. 52610-**-16 SHULD BE LOCKED.
RE DETAILED DIMENSIONS , SEE SALES DRAWING FOR CONNECTOR.
5. 材料(MATERIAL)
キャリアテープ(CARRIER TAPE) : ポリプロピレン(POLYPROPYLENE)
トップテープ(TOP TAPE) : PET , PE , PEF
リール(REEL) : ポリスチレン (PS) <リサイクル材を含む>
POLYSTYREN(PS) <RECYCLE MATERIAL CONTAINED>
6. 本製品は 52610-**-90 の鉛フリー品です
7. 本製品は乾燥剤入り、ハイバリア梱包仕様である。
THIS PRODUCT IS HIGH BARRIER PACKAGE WITH DESICCANT.



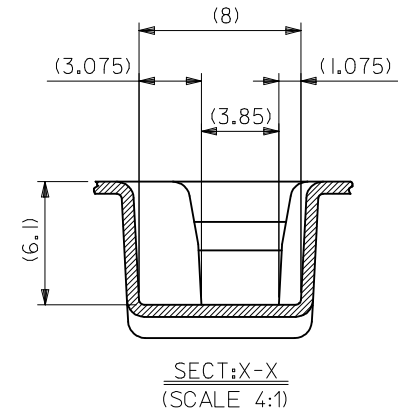
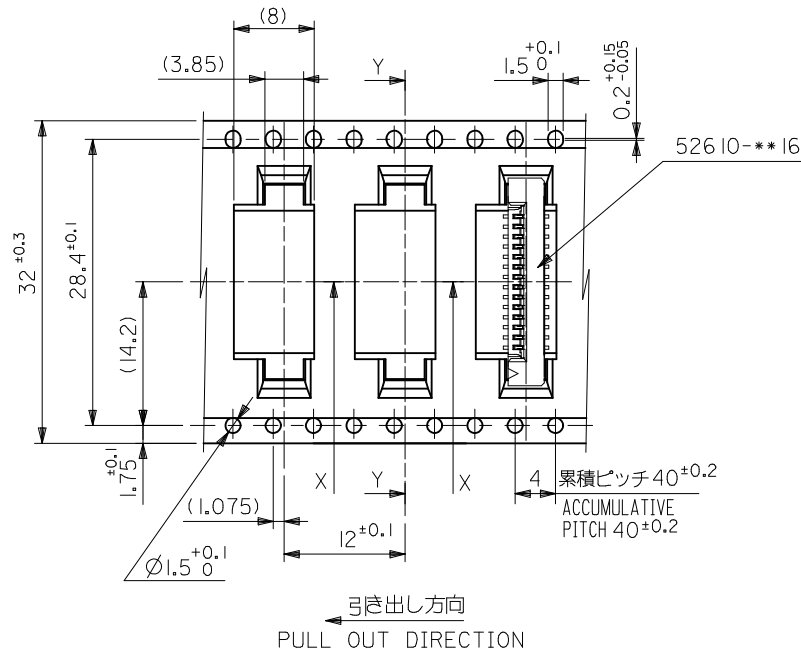
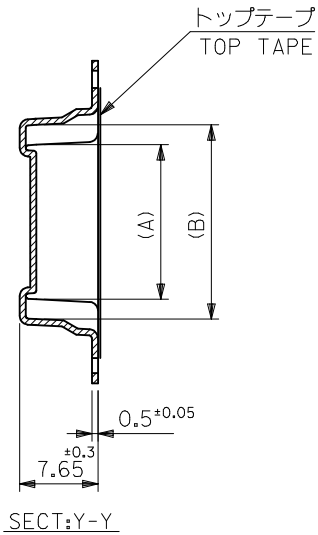
REVISED EC NO: J2009-2061 DRWN:TKON 2009/05/20 CHKD:HMATSUMOTO 2009/05/21 APPR:NUKITA 2009/05/21	DESCRIPTION REV	GENERAL TOLERANCES (UNLESS SPECIFIED)		DIMENSION STYLE MM ONLY		SCALE ---	DESIGN UNITS METRIC	52610-**-71	MODEL NO.
		10 UNDER	±0.2	DRAWN BY T. UENO	DATE '03/12/12	TITLE 1.0 FPC CONN SMT ZIF EMBSTP PKG -LEAD FREE-			
		10 OVER 30 UNDER	±0.25	CHECKED BY M. SASAO	DATE '03/12/12	MOLEX INCORPORATED			
		30 OVER	±0.3	APPROVED BY M. SASAO	DATE '03/12/12	DOCUMENT NO. SD-52610-038			
ANGULAR ±3 °		DRAFT WHERE APPLICABLE MUST REMAIN WITHIN DIMENSIONS		MATERIAL NO. SEE TABLE		SHEET NO. 1 OF 5			
THIS DRAWING CONTAINS INFORMATION THAT IS PROPRIETARY TO MOLEX INCORPORATED AND SHOULD NOT BE USED WITHOUT WRITTEN PERMISSION									



24	29.4	25.4	15.25	11.32	52610-1071	10
			14.25	10.32	52610-0971	9
			13.25	9.32	52610-0871	8
			12.25	8.32	52610-0771	7
			11.25	7.32	52610-0671	6
			10.25	6.32	52610-0571	5
キャリアテープ幅 CARRIER TAPE WIDTH	D	C	(B)	(A)	MATERIAL NO.	極数 CKT.

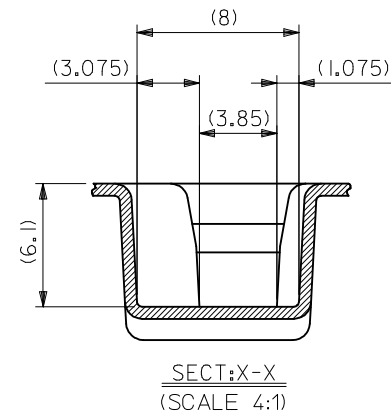
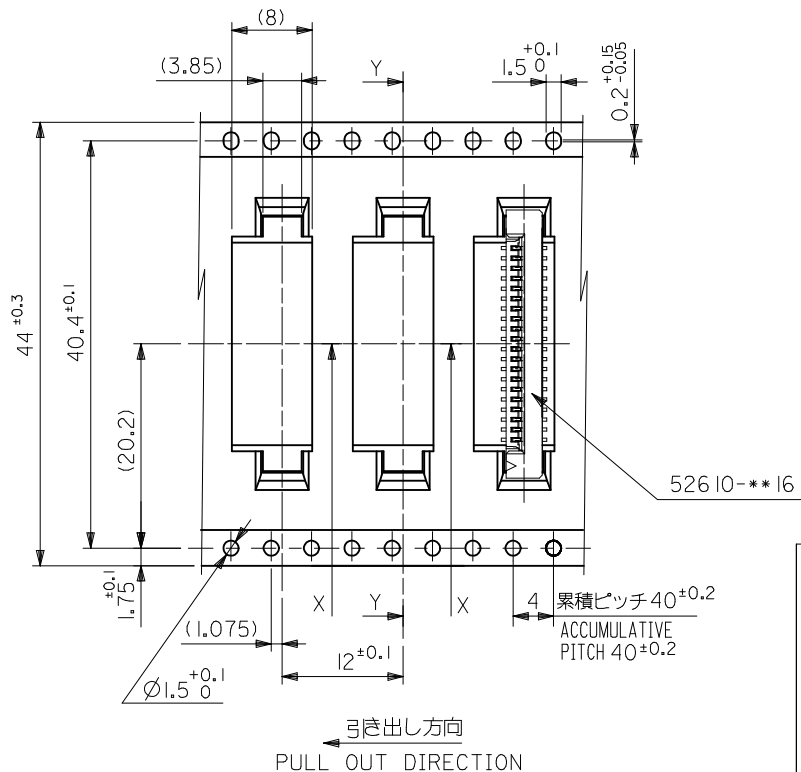
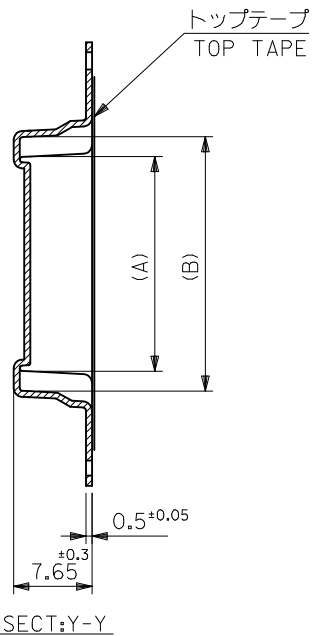
52610-**-71 MODEL NO.

REVISED EC NO: J2009-2061 DRW:TKON 2009/05/20 CHKD:HMATSUMOTO 2009/05/21 APPR:NUKITA 2009/05/21	GENERAL TOLERANCES (UNLESS SPECIFIED)		DIMENSION STYLE MM ONLY	SCALE ---	DESIGN UNITS METRIC	THIRD ANGLE PROJECTION
	10 UNDER	± 0.2	DRAWN BY T. UENO	DATE '03/12/12	TITLE 1.0 FPC CONN SMT ZIF EMBSTP PKG -LEAD FREE- MOLEX INCORPORATED SD-52610-038	
	10 OVER 30 UNDER	± 0.25	CHECKED BY M. SASAO	DATE '03/12/12		
	30 OVER	± 0.3	APPROVED BY M. SASAO	DATE '03/12/12		
ANGULAR	± 3 °	MATERIAL NO.	DOCUMENT NO.			
	DRAFT WHERE APPLICABLE MUST REMAIN WITHIN DIMENSIONS		SIZE A3	THIS DRAWING CONTAINS INFORMATION THAT IS PROPRIETARY TO MOLEX INCORPORATED AND SHOULD NOT BE USED WITHOUT WRITTEN PERMISSION		



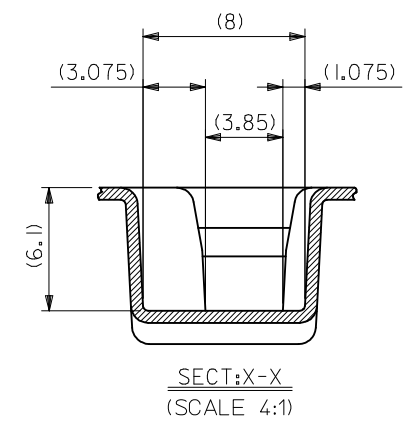
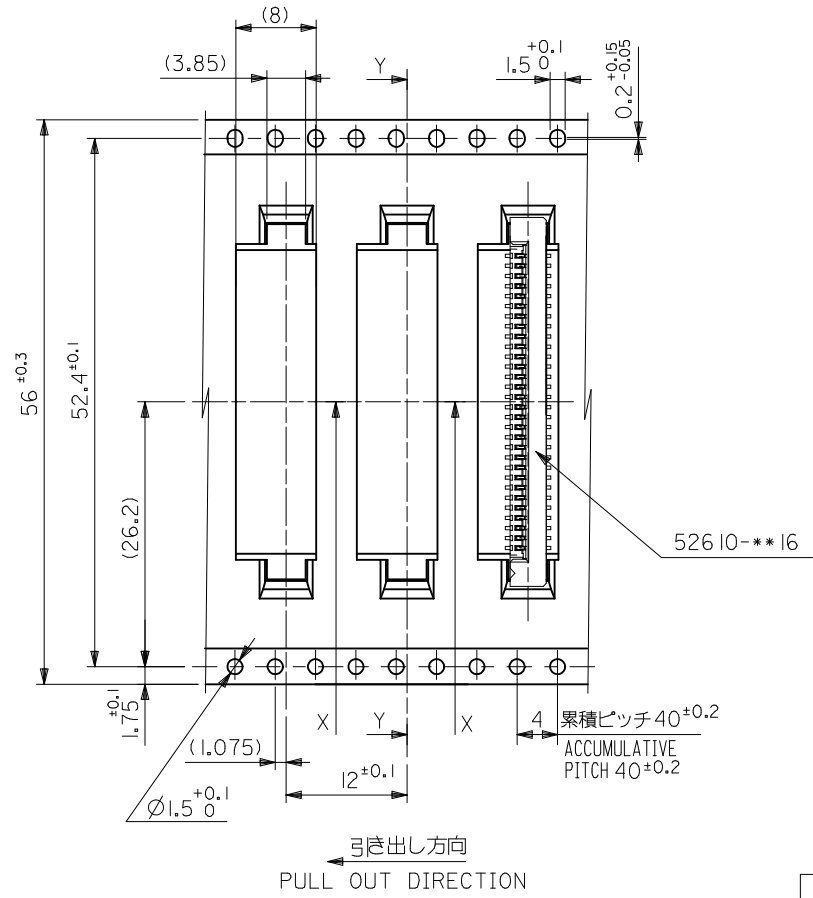
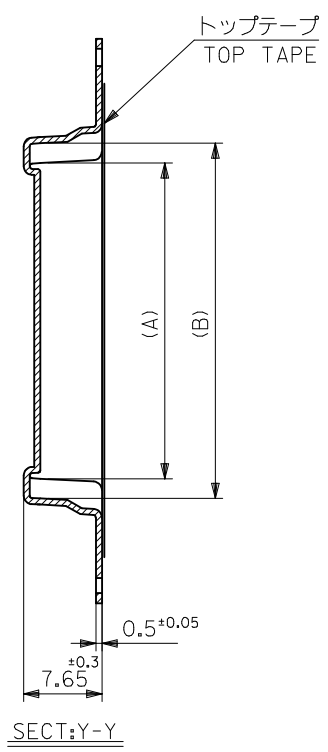
32	37.4	33.4	20.25	16.32	52610-1571	15
			19.25	15.32	52610-1471	14
			18.25	14.32	52610-1371	13
			17.25	13.32	52610-1271	12
			16.25	12.32	52610-1171	11
キャリアテープ幅 CARRIER TAPE WIDTH	D	C	(B)	(A)	MATERIAL NO.	種数 CKT.
			52610-**-71		MODEL NO.	

REVISED EC NO: J2009-2061 DRWN:TKON 2009/05/20 CHKD:HMATSUMOTO 2009/05/21 APPR:NUKITA 2009/05/21	GENERAL TOLERANCES (UNLESS SPECIFIED)		DIMENSION STYLE	SCALE	DESIGN UNITS	THIRD ANGLE PROJECTION	
			MM ONLY	---	METRIC		
	10 UNDER	±0.2	DRAWN BY	DATE	TITLE		
	10 OVER 30 UNDER	±0.25	T. UENO	'03/12/12	1.0 FPC CONN SMT ZIF EMBSTP PKG -LEAD FREE-		
	30 OVER	±0.3	CHECKED BY	DATE	MOLEX INCORPORATED		
ANGULAR	±3 °	M. SASAO	'03/12/12	MATERIAL NO.			
DRAFT WHERE APPLICABLE MUST REMAIN WITHIN DIMENSIONS		M. SASAO	'03/12/12	SEE TABLE		DOCUMENT NO.	SHEET NO.
		SIZE A3		THIS DRAWING CONTAINS INFORMATION THAT IS PROPRIETARY TO MOLEX INCORPORATED AND SHOULD NOT BE USED WITHOUT WRITTEN PERMISSION			3 OF 5



44	49.4	45.4	31.25	27.32	52610-2671	26
			30.25	26.32	52610-2571	25
			29.25	25.32	52610-2471	24
			28.25	24.32	52610-2371	23
			27.25	23.32	52610-2271	22
			26.25	22.32	52610-2171	21
			25.25	21.32	52610-2071	20
			24.25	20.32	52610-1971	19
			23.25	19.32	52610-1871	18
			22.25	18.32	52610-1771	17
21.25	17.32	52610-1671	16			
キャリアテープ幅 CARRIER TAPE WIDTH	D	C	(B)	(A)	MATERIAL NO.	種数 CKT.
			52610-**-71	MODEL NO.		

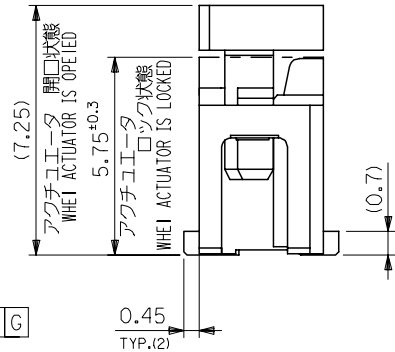
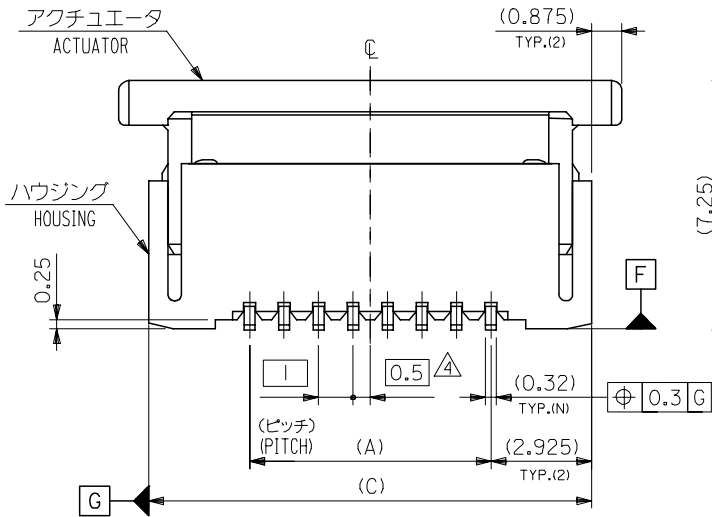
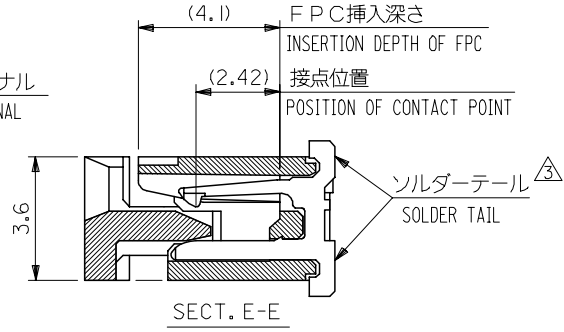
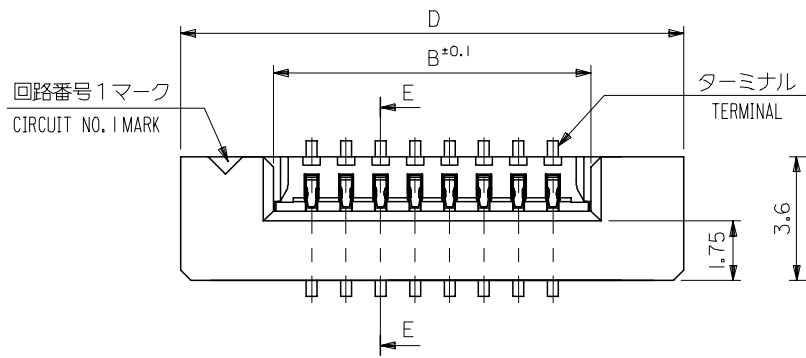
REVISED EC NO: J2009-2061 DRWN:TKON 2009/05/20 CHKD:HMATSUMOTO 2009/05/21 APPR:NIKI ITA 2009/05/21	GENERAL TOLERANCES (UNLESS SPECIFIED)		DIMENSION STYLE MM ONLY		SCALE ---	DESIGN UNITS METRIC		THIRD ANGLE PROJECTION	
	10 UNDER	±0.2	DRAWN BY T. UENO	DATE '03/12/12	TITLE 1.0 FPC CONN SMT ZIF EMBSTP PKG -LEAD FREE-				
	10 OVER 30 UNDER	±0.25	CHECKED BY M. SASAO	DATE '03/12/12	MOLEX INCORPORATED				
	30 OVER	±0.3	APPROVED BY M. SASAO	DATE '03/12/12	DOCUMENT NO. SD-52610-038				
	ANGULAR ±3 ° DRAFT WHERE APPLICABLE MUST REMAIN WITHIN DIMENSIONS		MATERIAL NO. SEE TABLE		SHEET NO. 4 OF 5		THIS DRAWING CONTAINS INFORMATION THAT IS PROPRIETARY TO MOLEX INCORPORATED AND SHOULD NOT BE USED WITHOUT WRITTEN PERMISSION		



56	61.4	57.4	35.25	31.32	52610-3071	30
			33.25	29.32	52610-2871	28
キャリアテープ幅 CARRIER TAPE WIDTH	D	C	(B)	(A)	MATERIAL NO.	種数 CKT.
					52610-**-71	MODEL NO.

REVISED EC NO: J2009-2061 DRWN:TKON 2009/05/20 CHKD:HMATSUMOTO 2009/05/21 APPR:NIKIITA 2009/05/21	GENERAL TOLERANCES (UNLESS SPECIFIED)		DIMENSION STYLE MM ONLY		SCALE ---	DESIGN UNITS METRIC	THIRD ANGLE PROJECTION
	10 UNDER	±0.2	DRAWN BY T.UENO	DATE '03/12/12	TITLE 1.0 FPC CONN SMT ZIF EMBSTP PKG -LEAD FREE-		
	10 OVER 30 UNDER	±0.25	CHECKED BY M.SASAO	DATE '03/12/12	MOLEX INCORPORATED		
	30 OVER	±0.3	APPROVED BY M.SASAO	DATE '03/12/12	DOCUMENT NO. SD-52610-038		
	ANGULAR ±3 °	DRAFT WHERE APPLICABLE MUST REMAIN WITHIN DIMENSIONS		MATERIAL NO. SEE TABLE		SHEET NO. 5 OF 5	
		THIS DRAWING CONTAINS INFORMATION THAT IS PROPRIETARY TO MOLEX INCORPORATED AND SHOULD NOT BE USED WITHOUT WRITTEN PERMISSION					

10 9 8 7 6 5 4 3 2 1



注記 (NOTES):

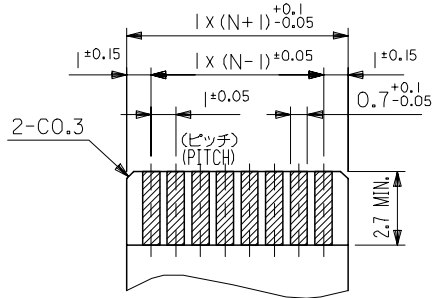
- 材料 (MATERIAL)
 ハウジング (HOUSING): 46NYLON, UL94V-0
 アクチュエータ (ACTUATOR): PPS, UL94V-0
 ターミナル (TERMINAL): リン青銅 (±0.32)
 PHOS-BRO
 銅・2%ビスマスメッキ 1. 0マイクロメートル以上
 TIN 2% BISMUTH 1.0 MICROMETER MINIMUM
 ニッケル下地 1. 0マイクロメートル以上
 NICKEL (UNDER PLATING) 1.0 MICROMETER MINIMUM
- エンボステープ梱包時は、アクチュエータがロックした状態とする。
 IN THE PACKAGE, ACTUATOR OF PART NO. 52610-***16 SHOULD BE LOCKED.
- △ ソルダータール半田付け面のズレ量は、基準面 [F] に対し上方向 0.05 MAX., 下方向 0.15 MAX. とする。
 MISALIGNMENT OF SOLDER TAILS FROM [F] UPPER DIRECTION: 0.05 MAX., LOWER DIRECTION: 0.15 MAX.
- △ 偶数極に適用。
 APPLY FOR EVEN CIRCUIT.
- 本製品は 52610-***17 の鉛フリー品です

MODEL NO.	52610-***16
DESIGN UNITS	METRIC
	THIRD ANGLE PROJECTION

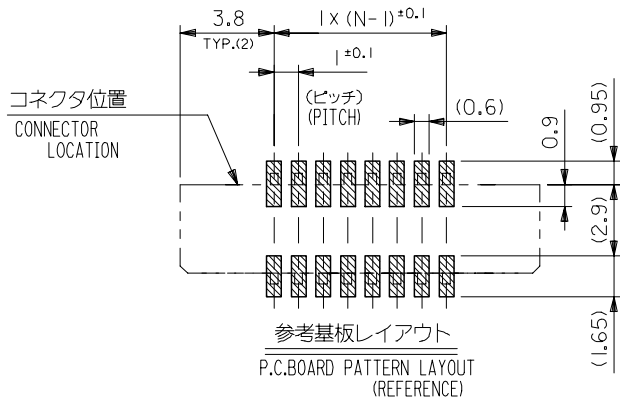
REVISED EC NO: J2006-3196 DRWN: NABEI 2006/04/17 CHKD: TOYODA 2006/04/18 APPR: NUKITA 2006/04/20	GENERAL TOLERANCES (UNLESS SPECIFIED)		DIMENSION STYLE	SCALE	TITLE	
			MM ONLY	---		1.0 FPC CONNECTOR Z.I.F. FOR SMT.(ST.) -LEAD FREE-
	10 UNDER	±0.2	DRAWN BY	DATE	MOLEX INCORPORATED	
	10 OVER 30 UNDER	±0.25	TUENO	'03/12/12		
30 OVER	±0.3	CHECKED BY	DATE	SD-52610-041	SHEET NO.	
		MSASAO	'03/12/12	SEE CHART	1 OF 2	
		APPROVED BY	DATE			
		MSASAO	'03/12/12			
		MATERIAL NO.		DOCUMENT NO.		
		SEE CHART		SD-52610-041		
		DRAFT WHERE APPLICABLE MUST REMAIN WITHIN DIMENSIONS				
		THIS DRAWING CONTAINS INFORMATION THAT IS PROPRIETARY TO MOLEX INCORPORATED AND SHOULD NOT BE USED WITHOUT WRITTEN PERMISSION				

FPCについて：
 打抜き方向は導体側から補強板側を推奨致します。
 補強フィルム材質はポリイミドを推奨致します。
 接着剤は熱硬化接着剤を推奨致します。

ABOUT FPC:
 RECOMMENDED PUNCHER DIRECTION : FROM CONDUCTOR SIDE TO STIFFENER BOARD SIDE.
 RECOMMENDED MATERIAL :
 STIFFENER FILM : POLYIMIDE
 BONDING AGENT : THERMOSETTING BONDING AGENT



適合FPC推奨寸法
 APPLICABLE FPC RECOMMENDED DIM.
 仕上がり厚さ(THICKNESS): 0.3 ± 0.05



36.6	34.85	31.2	29	52610-3016	30
35.6	33.85	30.2	28	-2916	29
34.6	32.85	29.2	27	-2816	28
33.6	31.85	28.2	26	-2716	27
32.6	30.85	27.2	25	-2616	26
31.6	29.85	26.2	24	-2516	25
30.6	28.85	25.2	23	-2416	24
29.6	27.85	24.2	22	-2316	23
28.6	26.85	23.2	21	-2216	22
27.6	25.85	22.2	20	-2116	21
26.6	24.85	21.2	19	-2016	20
25.6	23.85	20.2	18	-1916	19
24.6	22.85	19.2	17	-1816	18
23.6	21.85	18.2	16	-1716	17
22.6	20.85	17.2	15	-1616	16
21.6	19.85	16.2	14	-1516	15
20.6	18.85	15.2	13	-1416	14
19.6	17.85	14.2	12	-1316	13
18.6	16.85	13.2	11	-1216	12
17.6	15.85	12.2	10	-1116	11
16.6	14.85	11.2	9	-1016	10
15.6	13.85	10.2	8	-0916	9
14.6	12.85	9.2	7	-0816	8
13.6	11.85	8.2	6	-0716	7
12.6	10.85	7.2	5	-0616	6

52610-**16	11.6	9.85	6.2	4	52610-0516	5
MODEL NO.	D	(C)	B	(A)	MODEL NO.	CKT.

REVISED EC NO: J2006-3196 DRWN: NABEI 2006/04/17 CHKD: TOYODA 2006/04/18 APPR: NUKITA 2006/04/20	GENERAL TOLERANCES (UNLESS SPECIFIED)		DIMENSION STYLE MM ONLY		SCALE ---	DESIGN UNITS METRIC	THIRD ANGLE PROJECTION
	10 UNDER	± 0.2	DRAWN BY TUENO		TITLE 1.0 FPC CONNECTOR I.F.F. FOR SMT. (ST.) -LEAD FREE-		
	10 OVER 30 UNDER	± 0.25	CHECKED BY MSASAO		DATE '03/12/12		
	30 OVER	± 0.3	APPROVED BY MSASAO		DATE '03/12/12		
	ANGULAR	± 3 °	MATERIAL NO.		DOCUMENT NO.		SHEET NO.
DRAFT WHERE APPLICABLE MUST REMAIN WITHIN DIMENSIONS			SEE CHART		SD-52610-041		2 OF 2
THIS DRAWING CONTAINS INFORMATION THAT IS PROPRIETARY TO MOLEX INCORPORATED AND SHOULD NOT BE USED WITHOUT WRITTEN PERMISSION							