

LOW DROPOUT LINEAR REGULATOR

AZ1117C

General Description

The AZ1117C is a low dropout three-terminal regulator.

The AZ1117C has been optimized for low voltage where transient response and minimum input voltage are critical. It provides current limit and thermal shut-down. Its circuit includes a trimmed bandgap reference to assure output voltage accuracy to be within $\pm 1\%$. On-chip thermal shutdown provides protection against a combination of high current and ambient temperature that would create excessive junction temperature.

The AZ1117C is available in 1.2V, 1.5V, 1.8V, 2.5V, 3.3V, 5.0V fixed output voltage versions and ADJ output voltage version. The fixed versions integrate the adjust resistors. It is also available in an adjustable version which can set the output voltage with two external resistors.

The AZ1117C is available in the industry-standard TO-252-2 (1), TO-252-2 (2), TO-252-2 (3), TO-252-2 (4), SOT-89 and SOT-223 power packages.

Features

- Current Limit: 1.0A (Typ.)
- Output Noise from 10Hz to 10KHz: 0.003% of V_{OUT}
- PSRR at $I_{OUT}=300mA$ and $f=120Hz$: 70dB
- Output Voltage Accuracy: $\pm 1\%$ (Except 1.2V version)
- On-chip Thermal Shutdown
- Maximum Quiescent Current: $I_{QMAX}=6mA$
- Compatible with Low ESR Ceramic Capacitor
- Operation Junction Temperature: -20 to $125^{\circ}C$

Applications

- USB Device
- Add-on Card
- DVD Player
- PC Motherboard

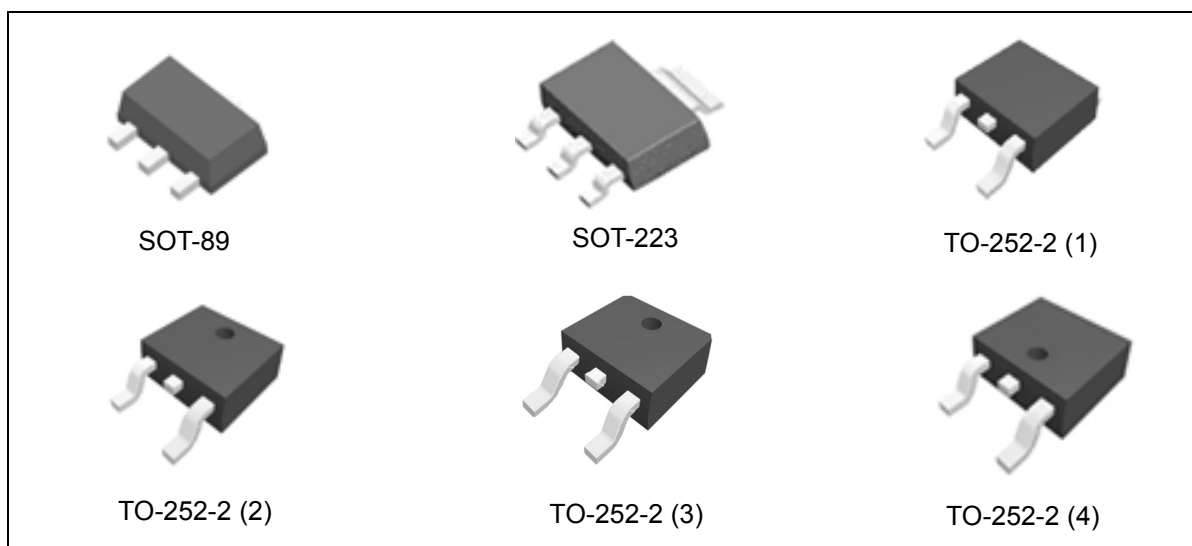
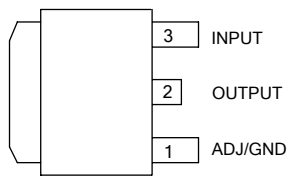


Figure 1. Package Types of AZ1117C

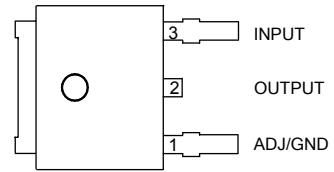
Pin Configuration

D Package

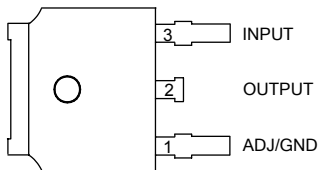
(TO-252-2 (1))



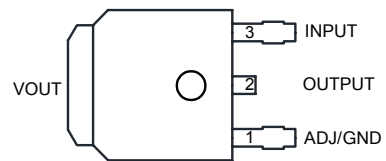
(TO-252-2 (2))



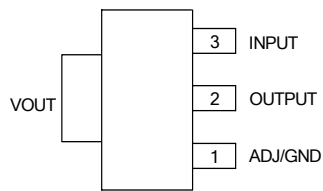
(TO-252-2 (3))



(TO-252-2 (4))



**H Package
(SOT-223)**



**R Package
(SOT-89)**

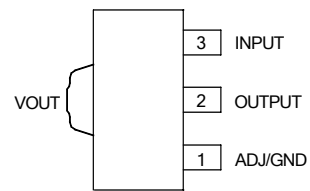


Figure 2. Pin Configuration of AZ1117C (Top View)

LOW DROPOUT LINEAR REGULATOR

AZ1117C

Functional Block Diagram

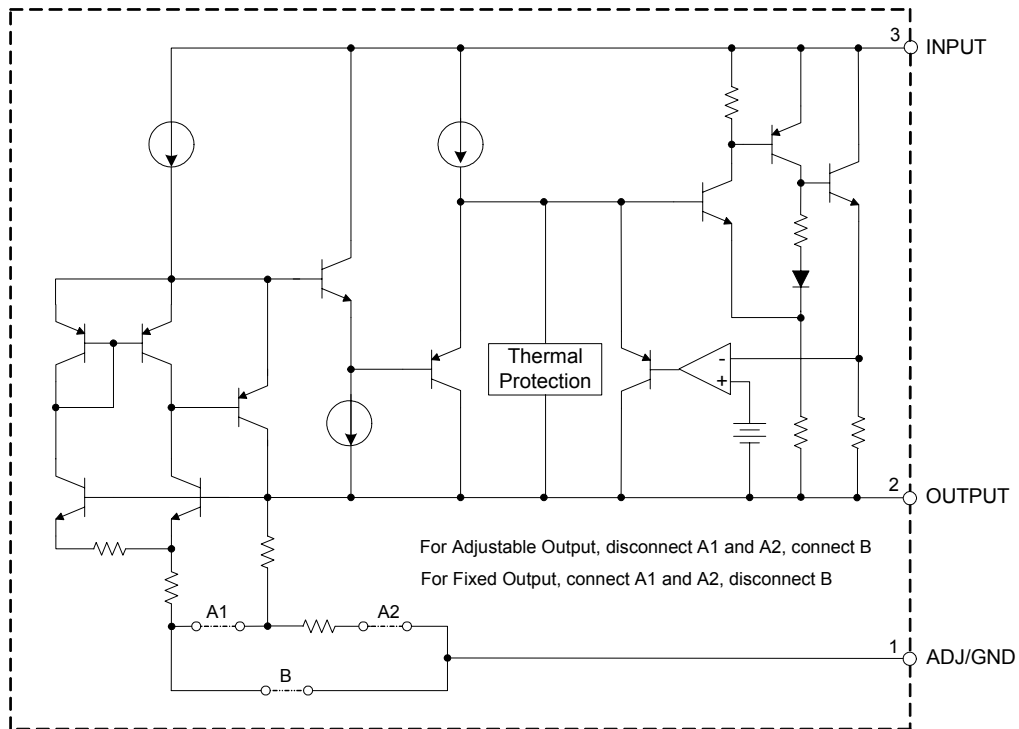


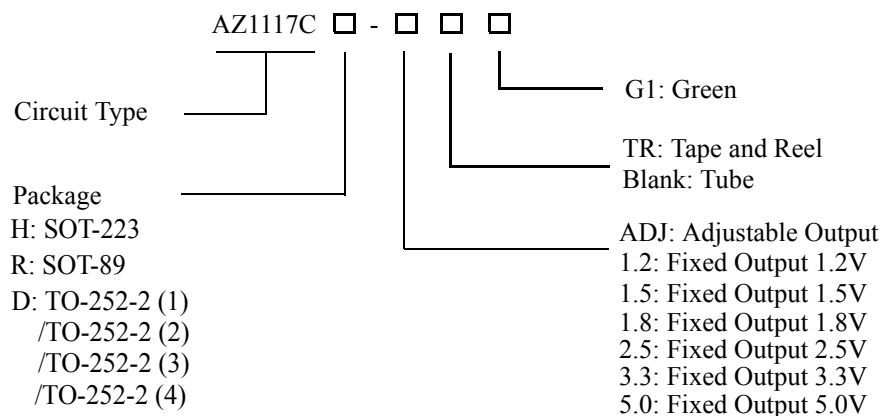
Figure 3. Functional Block Diagram of AZ1117C



LOW DROPOUT LINEAR REGULATOR

AZ1117C

Ordering Information



Package	Temperature Range	Part Number	Marking ID	Packing Type
SOT-223	-20 to 125°C	AZ1117CH-ADJTRG1	GH15B	Tape & Reel
		AZ1117CH-1.2TRG1	GH16B	Tape & Reel
		AZ1117CH-1.5TRG1	GH15C	Tape & Reel
		AZ1117CH-1.8TRG1	GH16C	Tape & Reel
		AZ1117CH-2.5TRG1	GH15D	Tape & Reel
		AZ1117CH-3.3TRG1	GH16D	Tape & Reel
		AZ1117CH-5.0TRG1	GH15E	Tape & Reel
TO-252-2 (1) /TO-252-2 (2) /TO-252-2 (3) /TO-252-2 (4)		AZ1117CD-ADJG1	AZ1117CD-ADJG1	Tube
		AZ1117CD-ADJTRG1	AZ1117CD-ADJG1	Tape & Reel
		AZ1117CD-1.2G1	AZ1117CD-1.2G1	Tube
		AZ1117CD-1.2TRG1	AZ1117CD-1.2G1	Tape & Reel
		AZ1117CD-1.5G1	AZ1117CD-1.5G1	Tube
		AZ1117CD-1.5TRG1	AZ1117CD-1.5G1	Tape & Reel
		AZ1117CD-1.8G1	AZ1117CD-1.8G1	Tube
		AZ1117CD-1.8TRG1	AZ1117CD-1.8G1	Tape & Reel
		AZ1117CD-2.5G1	AZ1117CD-2.5G1	Tube
		AZ1117CD-2.5TRG1	AZ1117CD-2.5G1	Tape & Reel
		AZ1117CD-3.3G1	AZ1117CD-3.3G1	Tube
		AZ1117CD-3.3TRG1	AZ1117CD-3.3G1	Tape & Reel
		AZ1117CD-5.0G1	AZ1117CD-5.0G1	Tube
AZ1117CD-5.0TRG1	AZ1117CD-5.0G1	Tape & Reel		

**LOW DROPOUT LINEAR REGULATOR****AZ1117C****Ordering Information (Continued)**

Package	Temperature Range	Part Number	Marking ID	Packing Type
SOT-89	-20 to 125°C	AZ1117CR-ADJTRG1	G27N	Tape & Reel
		AZ1117CR-1.2TRG1	G28J	Tape & Reel
		AZ1117CR-1.5TRG1	G28K	Tape & Reel
		AZ1117CR-1.8TRG1	G28L	Tape & Reel
		AZ1117CR-2.5TRG1	G28M	Tape & Reel
		AZ1117CR-3.3TRG1	G28N	Tape & Reel
		AZ1117CR-5.0TRG1	G27M	Tape & Reel

BCD Semiconductor's products, as designated with "G1" suffix in the part number, are RoHS compliant and Green.

**LOW DROPOUT LINEAR REGULATOR****AZ1117C****Absolute Maximum Ratings (Note 1)**

Parameter	Symbol	Value		Unit
Input Voltage	V_{IN}	18		V
Operating Junction Temperature Range	T_J	150		°C
Storage Temperature Range	T_{STG}	-65 to 150		°C
Thermal Resistance (No Heatsink)	θ_{JA}	SOT-89	210	°C/W
		SOT-223	150	
		TO-252-2 (1)/TO-252-2 (2)/ TO-252-2 (3)/TO-252-2 (4)	128	
Lead Temperature (Soldering, 10sec)	T_{LEAD}	260		°C

Note 1: Stresses greater than those listed under "Absolute Maximum Ratings" may cause permanent damage to the device. These are stress ratings only, and functional operation of the device at these or any other conditions beyond those indicated under "Recommended Operating Conditions" is not implied. Exposure to "Absolute Maximum Ratings" for extended periods may affect device reliability.

Recommended Operating Conditions

Parameter	Symbol	Min	Max	Unit
Input Voltage	V_{IN}		15	V
Operating Junction Temperature Range	T_J	-20	125	°C



LOW DROPOUT LINEAR REGULATOR **AZ1117C**

Electrical Characteristics

AZ1117C-ADJ Electrical Characteristics

Operating Conditions: $V_{IN}=V_{OUT}+2V$, $I_{OUT}=10mA$, $T_J=25^{\circ}C$, unless otherwise specified. ($P \leq$ maximum power dissipation).

Limits appearing in **Boldface** type apply over the entire junction temperature range for operation, $-20^{\circ}C$ to $125^{\circ}C$.

Parameter	Symbol	Conditions	Min	Typ	Max	Unit
Reference Voltage	V_{REF}		1.238	1.250	1.262	V
		$1.5V \leq V_{IN} - V_{OUT} \leq 10V$	1.225	1.250	1.270	
Line Regulation	V_{RLINE}	$1.5V \leq V_{IN} - V_{OUT} \leq 10V$		0.001	0.1	%
					0.2	
Load Regulation	V_{RLOAD}			0.4	1.0	%
Dropout Voltage	V_{DROP}	$\Delta V_{REF}=1\%$, $I_{OUT}=0.8A$		1.2	1.3	V
Current Limit	I_{LIMIT}		0.85	1		A
Adjust Pin Current				60	120	μA
Adjust Pin Current Change		$1.5V \leq (V_{IN} - V_{OUT}) \leq 10V$		0.2	5	μA
Minimum Load Current		$1.5V \leq (V_{IN} - V_{OUT}) \leq 10V$		1.7	5	mA
Ripple Rejection	PSRR	$f=120Hz$, $C_{OUT}=22\mu F$ $(V_{IN} - V_{OUT})=3V$, $I_{OUT}=300mA$		70		dB
Temperature Stability				0.5		%
RMS Output Noise (% of V_{OUT})		$T_A=25^{\circ}C$, $10Hz \leq f \leq 10KHz$		0.003		%
Thermal Shutdown		Junction Temperature		160		$^{\circ}C$
Thermal Shutdown Hysteresis				16		$^{\circ}C$
Thermal Resistance (Junction to Case)	θ_{JC}	SOT-89		39		$^{\circ}C/W$
		SOT-223		33		
		TO-252-2 (1)/TO-252-2 (2) /TO-252-2 (3)/TO-252-2 (4)		22		



LOW DROPOUT LINEAR REGULATOR

AZ1117C

Electrical Characteristics (Continued)

AZ1117C-1.2 Electrical Characteristics

Operating Conditions: $V_{IN} \leq 10V$, $I_{OUT} = 10mA$, $T_J = 25^\circ C$, unless otherwise specified. ($P \leq$ maximum power dissipation). Limits appearing in **Boldface** type apply over the entire junction temperature range for operation, $-20^\circ C$ to $125^\circ C$.

Parameter	Symbol	Conditions	Min	Typ	Max	Unit
Output Voltage	V_{OUT}		1.176	1.2	1.224	V
		$3.2V \leq V_{IN} \leq 10V$	1.152	1.2	1.228	
Line Regulation	V_{RLINE}	$1.5V \leq V_{IN} - V_{OUT} \leq 10V$		0.5	6	mV
					10	
Load Regulation	V_{RLOAD}			2	15	mV
Dropout Voltage	V_{DROP}	$\Delta V_{OUT} = 1\%$, $I_{OUT} = 0.8A$ SOT-223		1.2	1.3	V
Current Limit	I_{LIMIT}		0.85	1		A
Quiescent Current	I_Q	$I_{OUT} = 0$		4	6	mA
Ripple Rejection	PSRR	$f = 120Hz$, $C_{OUT} = 22\mu F$ $(V_{IN} - V_{OUT}) = 3V$, $I_{OUT} = 300mA$		70		dB
Temperature Stability				0.5		%
RMS Output Noise (% of V_{OUT})		$T_A = 25^\circ C$, $10Hz \leq f \leq 10KHz$		0.003		%
Thermal Shutdown		Junction Temperature		160		$^\circ C$
Thermal Shutdown Hysteresis				16		$^\circ C$
Thermal Resistance (Junction to Case)	θ_{JC}	SOT-89		39		$^\circ C/W$
		SOT-223		33		
		TO-252-2 (1)/TO-252-2 (2) /TO-252-2 (3)/TO-252-2 (4)		22		



LOW DROPOUT LINEAR REGULATOR

AZ1117C

Electrical Characteristics (Continued)

AZ1117C-1.5 Electrical Characteristics

Operating Conditions: $V_{IN} \leq 10V$, $I_{OUT} = 10mA$, $T_J = 25^\circ C$, unless otherwise specified. ($P \leq$ maximum power dissipation). Limits appearing in **Boldface** type apply over the entire junction temperature range for operation, $-20^\circ C$ to $125^\circ C$.

Parameter	Symbol	Conditions	Min	Typ	Max	Unit
Output Voltage	V_{OUT}		1.485	1.5	1.515	V
		$3.5V \leq V_{IN} \leq 10V$	1.470	1.5	1.530	
Line Regulation	V_{RLINE}	$1.5V \leq V_{IN} - V_{OUT} \leq 10V$		0.5	6	mV
					10	
Load Regulation	V_{RLOAD}			2	15	mV
Dropout Voltage	V_{DROP}	$\Delta V_{OUT} = 1\%$, $I_{OUT} = 0.8A$				V
		SOT-223		1.2	1.3	
Current Limit	I_{LIMIT}		0.85	1		A
Quiescent Current	I_Q	$I_{OUT} = 0$		4	6	mA
Ripple Rejection	PSRR	$f = 120Hz$, $C_{OUT} = 22\mu F$ $(V_{IN} - V_{OUT}) = 3V$, $I_{OUT} = 300mA$		70		dB
Temperature Stability				0.5		%
RMS Output Noise (% of V_{OUT})		$T_A = 25^\circ C$, $10Hz \leq f \leq 10KHz$		0.003		%
Thermal Shutdown		Junction Temperature		160		$^\circ C$
Thermal Shutdown Hysteresis				16		$^\circ C$
Thermal Resistance (Junction to Case)	θ_{JC}	SOT-89		39		$^\circ C/W$
		SOT-223		33		
		TO-252-2 (1)/TO-252-2 (2) /TO-252-2 (3)/TO-252-2 (4)		22		



LOW DROPOUT LINEAR REGULATOR

AZ1117C

Electrical Characteristics (Continued)

AZ1117C-1.8 Electrical Characteristics

Operating Conditions: $V_{IN} \leq 10V$, $I_{OUT} = 10mA$, $T_J = 25^\circ C$, unless otherwise specified. ($P \leq$ maximum power dissipation). Limits appearing in **Boldface** type apply over the entire junction temperature range for operation, $-20^\circ C$ to $125^\circ C$.

Parameter	Symbol	Conditions	Min	Typ	Max	Unit
Output Voltage	V_{OUT}		1.782	1.8	1.818	V
		$3.8V \leq V_{IN} \leq 10V$	1.764	1.8	1.836	
Line Regulation	V_{RLINE}	$1.5V \leq V_{IN} - V_{OUT} \leq 10V$		0.5	6	mV
					10	
Load Regulation	V_{RLOAD}			2	15	mV
Dropout Voltage	V_{DROP}	$\Delta V_{OUT} = 1\%$, $I_{OUT} = 0.8A$				V
		SOT-223		1.2	1.3	
Current Limit	I_{LIMIT}		0.85	1		A
Quiescent Current	I_Q	$I_{OUT} = 0$		4	6	mA
Ripple Rejection	PSRR	$f = 120Hz$, $C_{OUT} = 22\mu F$ $(V_{IN} - V_{OUT}) = 3V$, $I_{OUT} = 300mA$		70		dB
Temperature Stability				0.5		%
RMS Output Noise (% of V_{OUT})		$T_A = 25^\circ C$, $10Hz \leq f \leq 10KHz$		0.003		%
Thermal Shutdown		Junction Temperature		160		$^\circ C$
Thermal Shutdown Hysteresis				16		$^\circ C$
Thermal Resistance (Junction to Case)	θ_{JC}	SOT-89		39		$^\circ C/W$
		SOT-223		33		
		TO-252-2 (1)/TO-252-2 (2) /TO-252-2 (3)/TO-252-2 (4)		22		



LOW DROPOUT LINEAR REGULATOR

AZ1117C

Electrical Characteristics (Continued)

AZ1117C-2.5 Electrical Characteristics

Operating Conditions: $V_{IN} \leq 10V$, $I_{OUT} = 10mA$, $T_J = 25^\circ C$, unless otherwise specified. ($P \leq$ maximum power dissipation). Limits appearing in **Boldface** type apply over the entire junction temperature range for operation, $-20^\circ C$ to $125^\circ C$.

Parameter	Symbol	Conditions	Min	Typ	Max	Unit
Output Voltage	V_{OUT}		2.475	2.5	2.525	V
		$4.5V \leq V_{IN} \leq 10V$	2.455	2.5	2.545	
Line Regulation	V_{RLINE}	$1.5V \leq V_{IN} - V_{OUT} \leq 10V$		0.5	6	mV
					10	
Load Regulation	V_{RLOAD}			2	15	mV
Dropout Voltage	V_{DROP}	$\Delta V_{OUT} = 1\%$, $I_{OUT} = 0.8A$				V
		SOT-223		1.2	1.3	
Current Limit	I_{LIMIT}		0.85	1		A
Quiescent Current	I_Q	$I_{OUT} = 0$		4	6	mA
Ripple Rejection	PSRR	$f = 120Hz$, $C_{OUT} = 22\mu F$ $(V_{IN} - V_{OUT}) = 3V$, $I_{OUT} = 300mA$		70		dB
Temperature Stability				0.5		%
RMS Output Noise (% of V_{OUT})		$T_A = 25^\circ C$, $10Hz \leq f \leq 10KHz$		0.003		%
Thermal Shutdown		Junction Temperature		160		$^\circ C$
Thermal Shutdown Hysteresis				16		$^\circ C$
Thermal Resistance (Junction to Case)	θ_{JC}	SOT-89		39		$^\circ C/W$
		SOT-223		33		
		TO-252-2 (1)/TO-252-2 (2) /TO-252-2 (3)/TO-252-2 (4)		22		



LOW DROPOUT LINEAR REGULATOR

AZ1117C

Electrical Characteristics (Continued)

AZ1117C-3.3 Electrical Characteristics

Operating Conditions: $V_{IN} \leq 10V$, $I_{OUT} = 10mA$, $T_J = 25^\circ C$, unless otherwise specified. ($P \leq$ maximum power dissipation). Limits appearing in **Boldface** type apply over the entire junction temperature range for operation, $-20^\circ C$ to $125^\circ C$.

Parameter	Symbol	Conditions	Min	Typ	Max	Unit
Output Voltage	V_{OUT}		3.267	3.3	3.333	V
		$5.3V \leq V_{IN} \leq 10V$	3.235	3.3	3.365	
Line Regulation	V_{RLINE}	$1.5V \leq V_{IN} - V_{OUT} \leq 10V$		0.5	6	mV
					10	
Load Regulation	V_{RLOAD}			2	15	mV
Dropout Voltage	V_{DROP}	$\Delta V_{OUT} = 1\%$, $I_{OUT} = 0.8A$		1.2	1.3	V
		SOT-223				
Current Limit	I_{LIMIT}		0.85	1		A
Quiescent Current	I_Q	$I_{OUT} = 0$		4	6	mA
Ripple Rejection	PSRR	$f = 120Hz$, $C_{OUT} = 22\mu F$ $(V_{IN} - V_{OUT}) = 3V$, $I_{OUT} = 300mA$		70		dB
Temperature Stability				0.5		%
RMS Output Noise (% of V_{OUT})		$T_A = 25^\circ C$, $10Hz \leq f \leq 10KHz$		0.003		%
Thermal Shutdown		Junction Temperature		160		$^\circ C$
Thermal Shutdown Hysteresis				16		$^\circ C$
Thermal Resistance (Junction to Case)	θ_{JC}	SOT-89		39		$^\circ C/W$
		SOT-223		33		
		TO-252-2 (1)/TO-252-2 (2) /TO-252-2 (3)/TO-252-2 (4)		22		



LOW DROPOUT LINEAR REGULATOR

AZ1117C

Electrical Characteristics (Continued)

AZ1117C-5.0 Electrical Characteristics

Operating Conditions: $V_{IN} \leq 10V$, $I_{OUT} = 10mA$, $T_J = 25^\circ C$, unless otherwise specified. ($P \leq$ maximum power dissipation). Limits appearing in **Boldface** type apply over the entire junction temperature range for operation, $-20^\circ C$ to $125^\circ C$.

Parameter	Symbol	Conditions	Min	Typ	Max	Unit
Output Voltage	V_{OUT}		4.950	5.0	5.050	V
		$6.5V \leq V_{IN} \leq 10V$	4.900	5.0	5.100	
Line Regulation	V_{RLINE}	$1.5V \leq V_{IN} - V_{OUT} \leq 10V$		0.5	6	mV
					10	
Load Regulation	V_{RLOAD}			2	15	mV
Dropout Voltage	V_{DROP}	$\Delta V_{OUT} = 1\%$, $I_{OUT} = 0.8A$		1.2	1.3	V
		SOT-223				
Current Limit	I_{LIMIT}		0.85	1		A
Quiescent Current	I_Q	$I_{OUT} = 0$		4	6	mA
Ripple Rejection	PSRR	$f = 120Hz$, $C_{OUT} = 22\mu F$ $(V_{IN} - V_{OUT}) = 3V$, $I_{OUT} = 300mA$		70		dB
Temperature Stability				0.5		%
RMS Output Noise (% of V_{OUT})		$T_A = 25^\circ C$, $10Hz \leq f \leq 10KHz$		0.003		%
Thermal Shutdown		Junction Temperature		160		$^\circ C$
Thermal Shutdown Hysteresis				16		$^\circ C$
Thermal Resistance (Junction to Case)	θ_{JC}	SOT-89		39		$^\circ C/W$
		SOT-223		33		
		TO-252-2 (1)/TO-252-2 (2) /TO-252-2 (3)/TO-252-2 (4)		22		



LOW DROPOUT LINEAR REGULATOR

AZ1117C

Typical Performance Characteristics

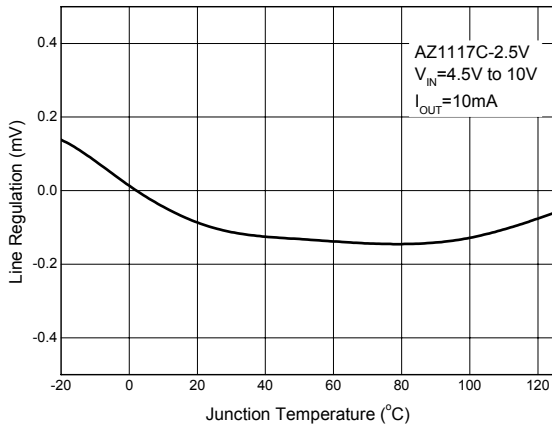


Figure 4. Line Regulation vs. Junction Temperature

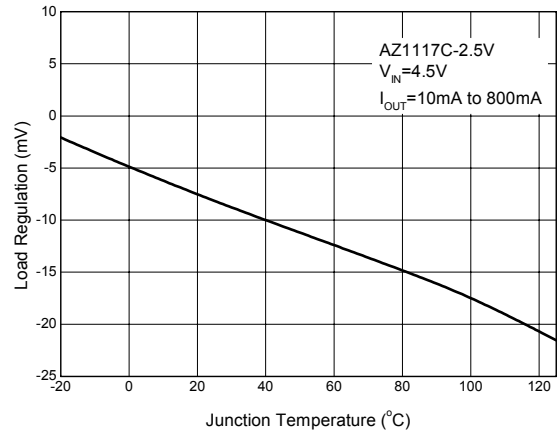


Figure 5. Load Regulation vs. Junction Temperature

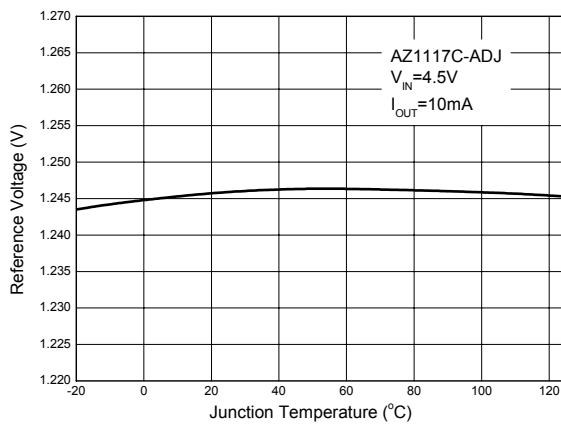


Figure 6. Reference Voltage vs. Junction Temperature

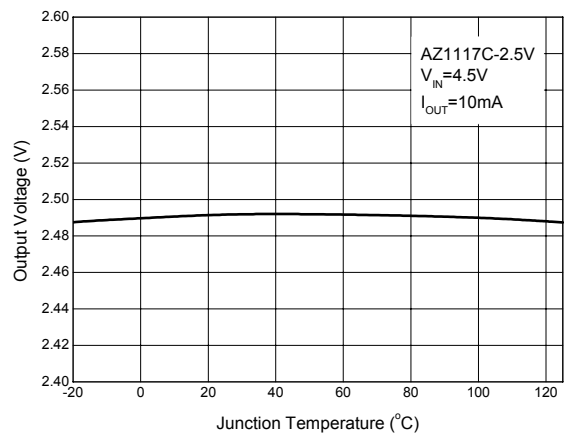


Figure 7. Output Voltage vs. Junction Temperature



LOW DROPOUT LINEAR REGULATOR

AZ1117C

Typical Performance Characteristics (Continued)

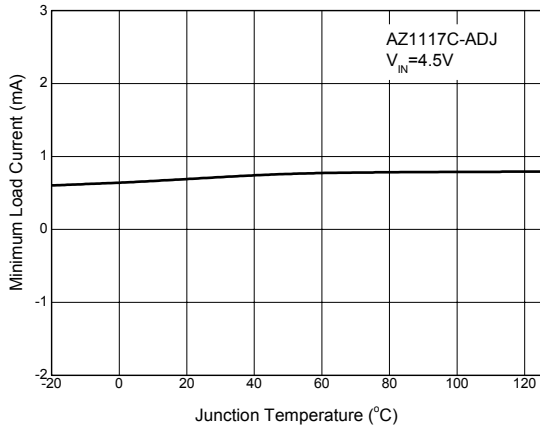


Figure 8. Minimum Load Current vs. Junction Temperature

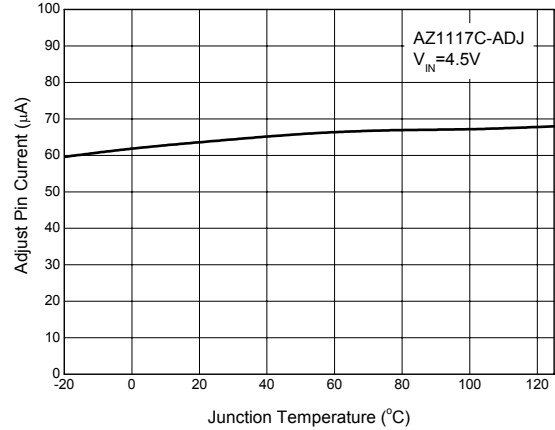


Figure 9. Adjust Pin Current vs. Junction Temperature

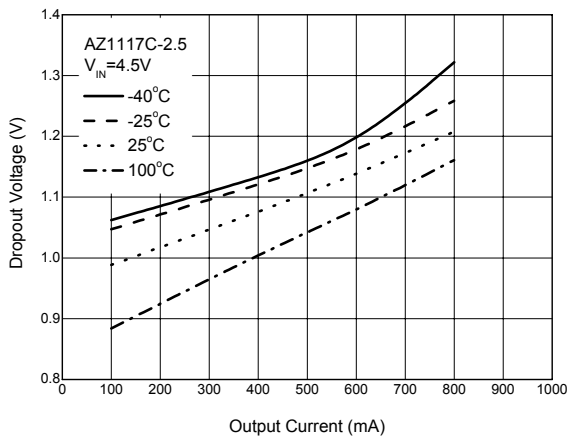


Figure 10. Dropout Voltage vs. Output Current

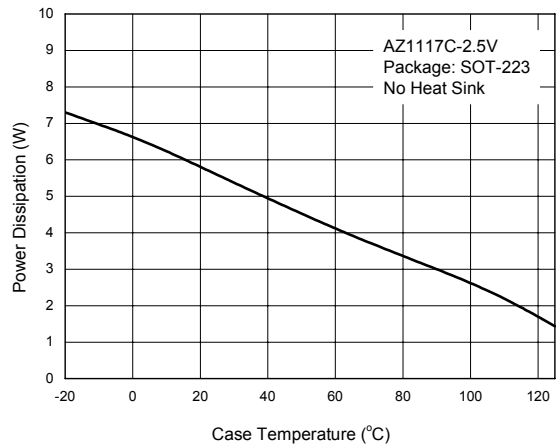


Figure 11. Power Dissipation vs. Case Temperature



LOW DROPOUT LINEAR REGULATOR

AZ1117C

Typical Performance Characteristics (Continued)

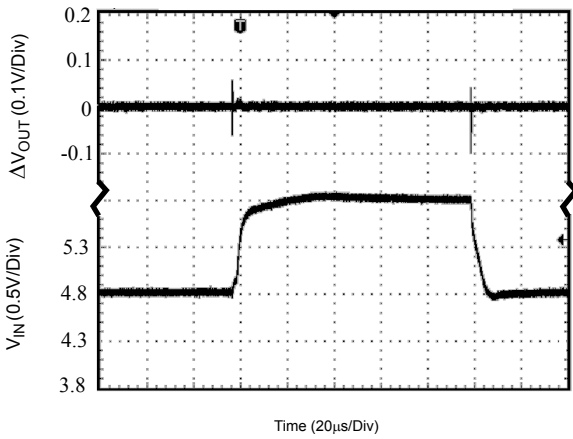


Figure 12. Line Transient Response

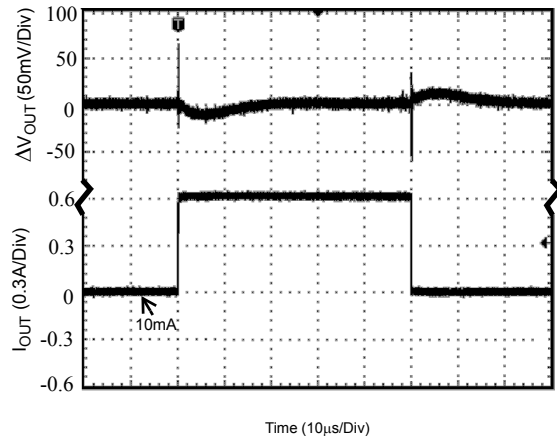


Figure 13. Load Transient Response

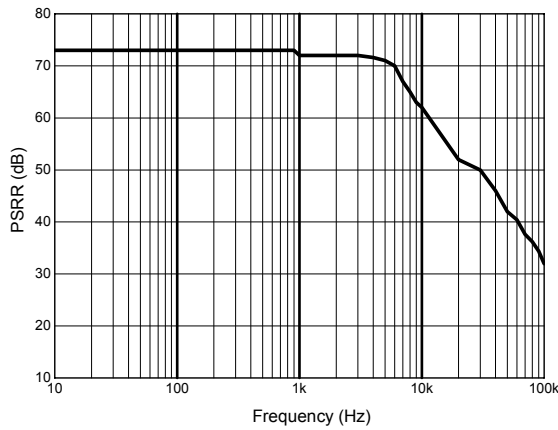


Figure 14. PSRR vs. Frequency

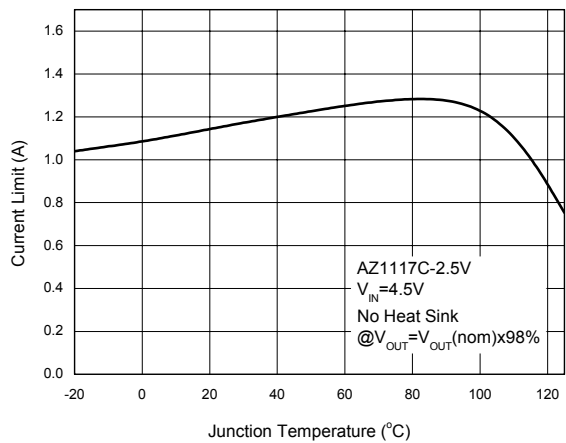


Figure 15. Current Limit vs. Junction Temperature



LOW DROPOUT LINEAR REGULATOR

AZ1117C

Typical Performance Characteristics (Continued)

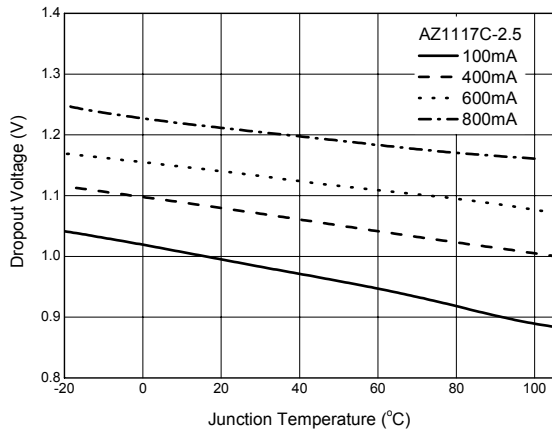


Figure 16. Dropout Voltage vs. Junction Temperature

Typical Applications

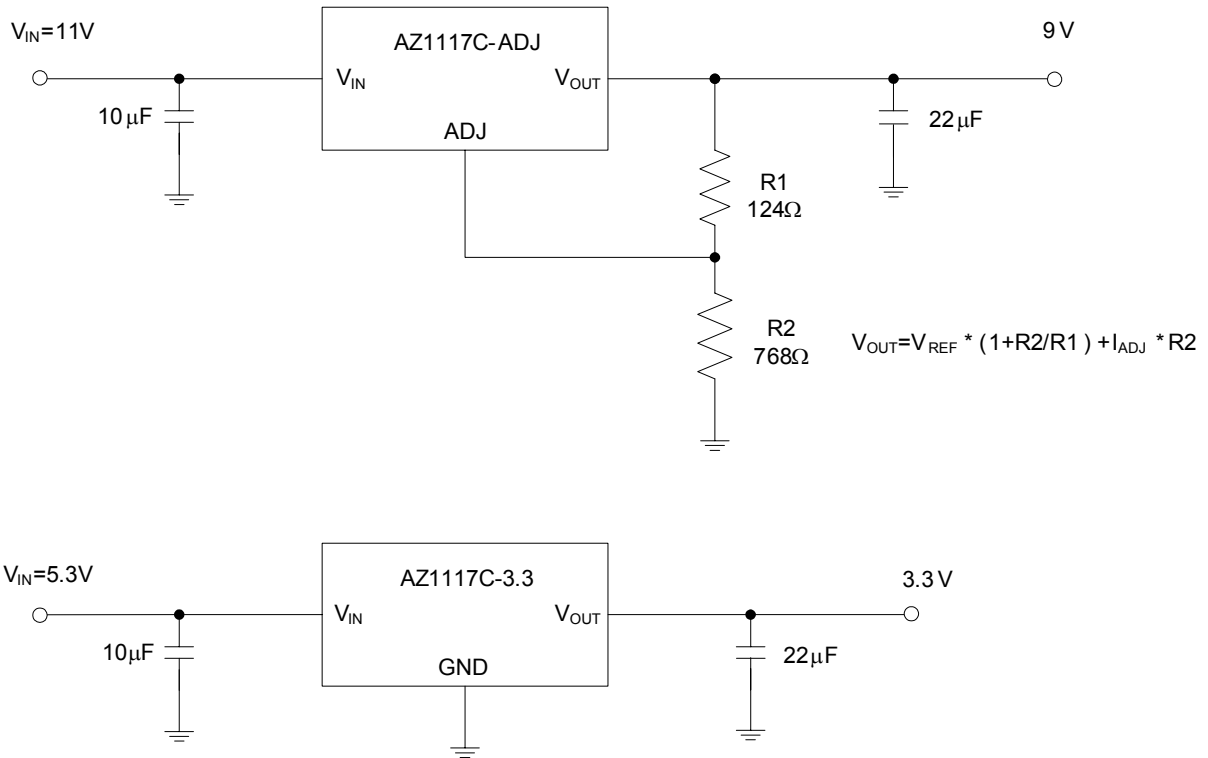


Figure 17. Typical Applications of AZ1117C



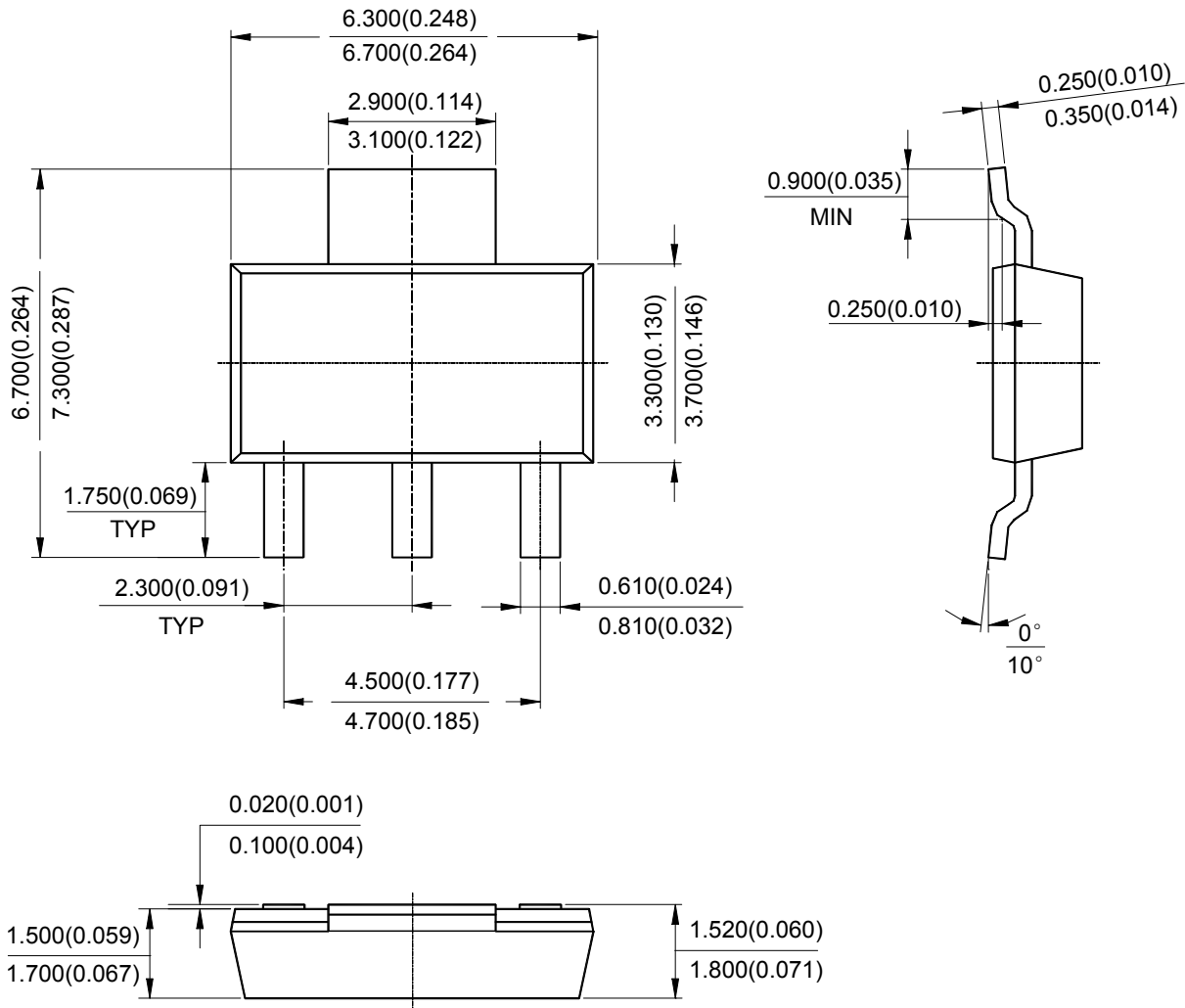
LOW DROPOUT LINEAR REGULATOR

AZ1117C

Mechanical Dimensions

SOT-223

Unit: mm(inch)





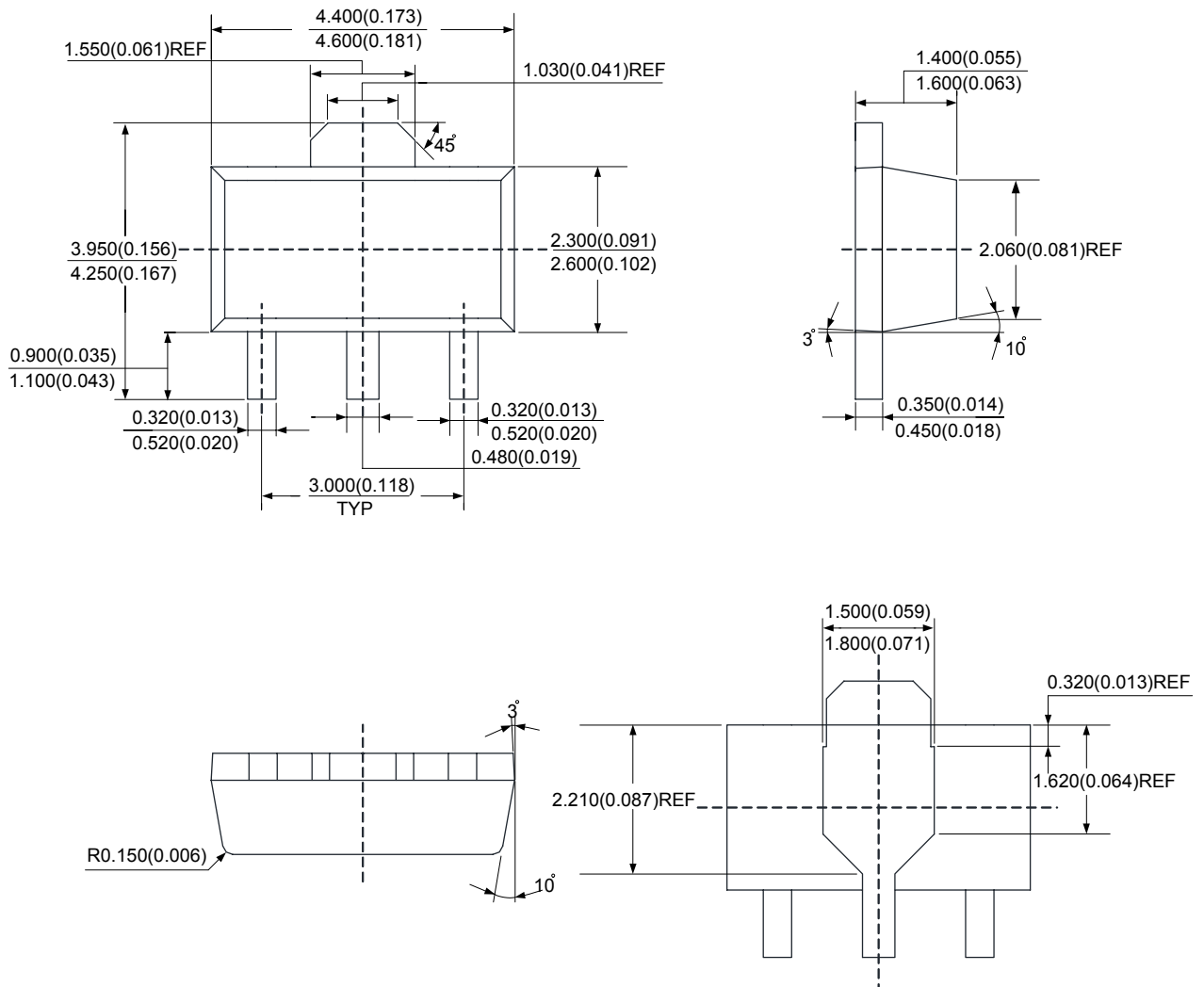
LOW DROPOUT LINEAR REGULATOR

AZ1117C

Mechanical Dimensions (Continued)

SOT-89

Unit: mm(inch)





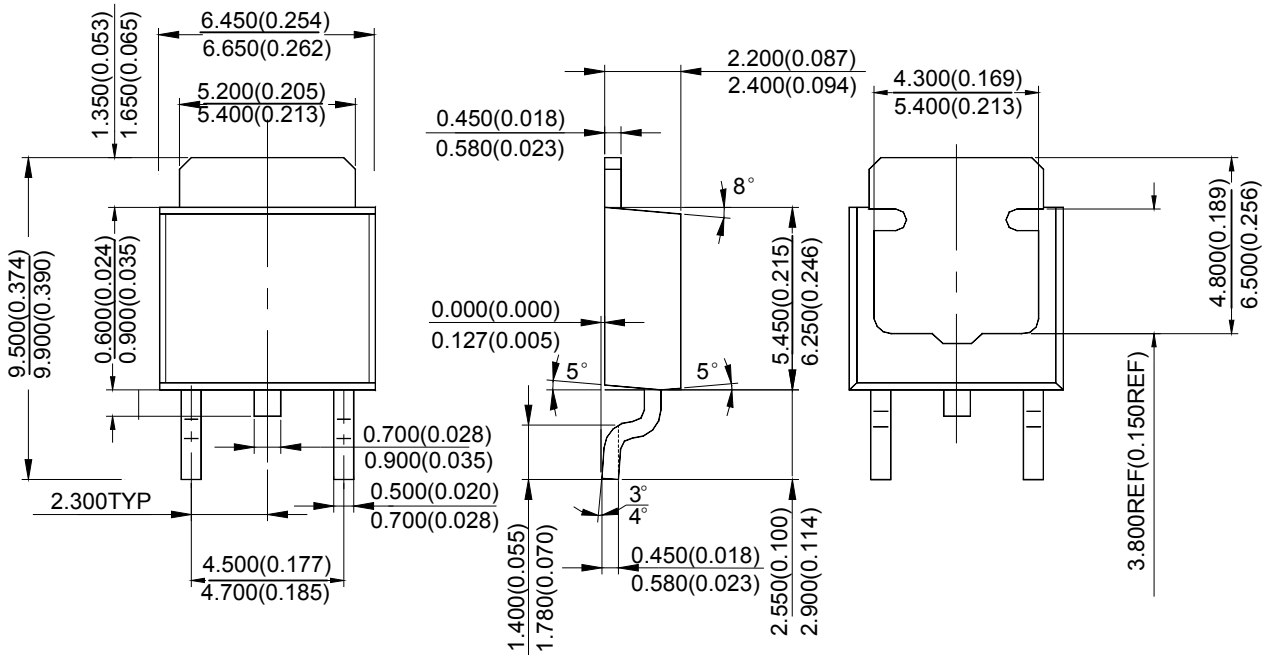
LOW DROPOUT LINEAR REGULATOR

AZ1117C

Mechanical Dimensions (Continued)

TO-252-2 (1)

Unit: mm(inch)





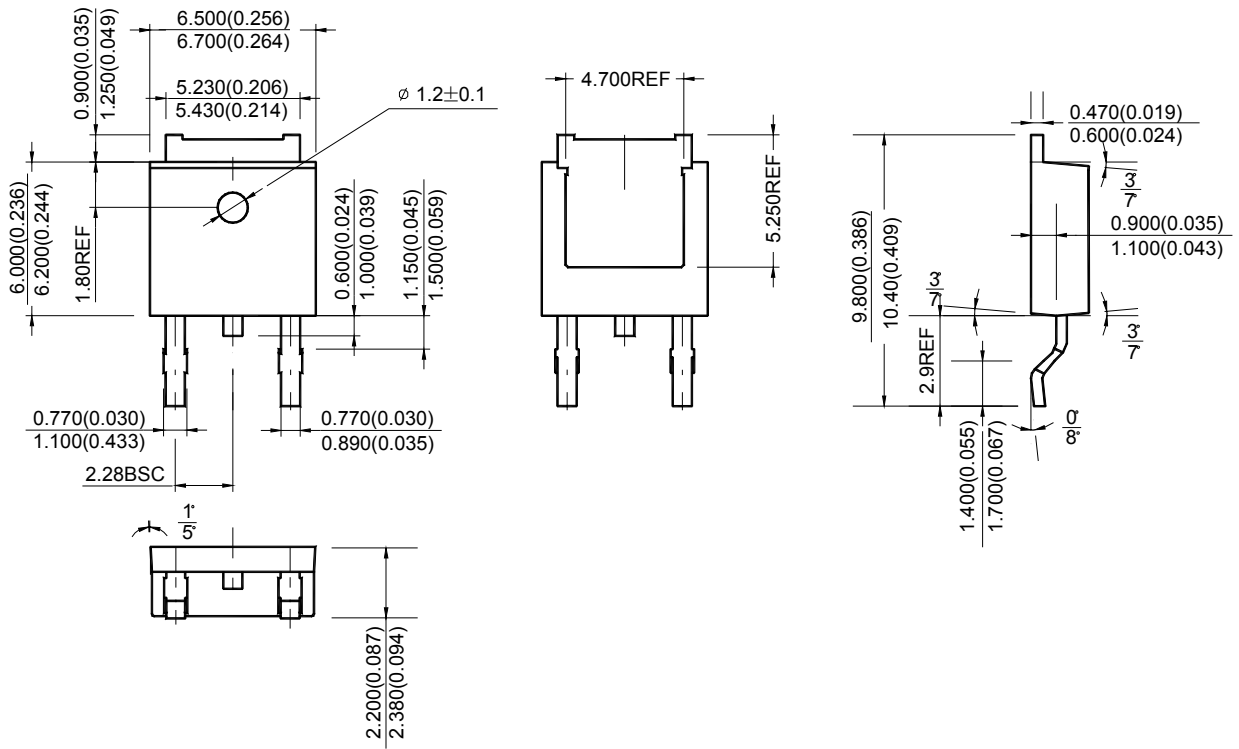
LOW DROPOUT LINEAR REGULATOR

AZ1117C

Mechanical Dimensions (Continued)

TO-252-2 (2)

Unit: mm(inch)





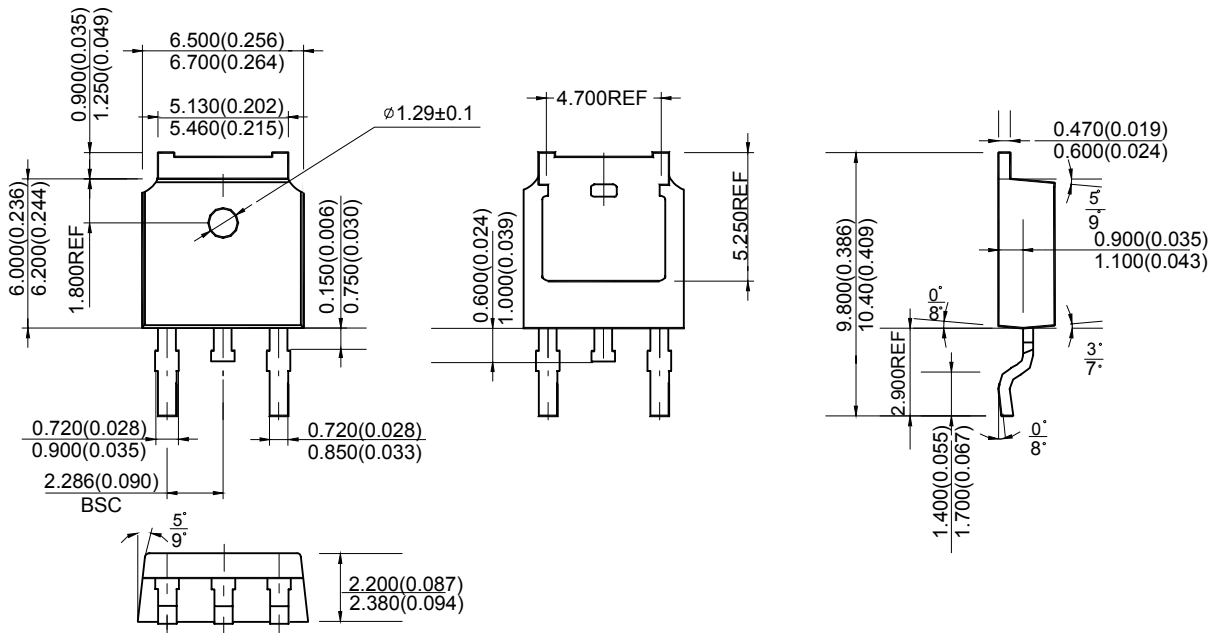
LOW DROPOUT LINEAR REGULATOR

AZ1117C

Mechanical Dimensions (Continued)

TO-252-2 (3)

Unit: mm(inch)





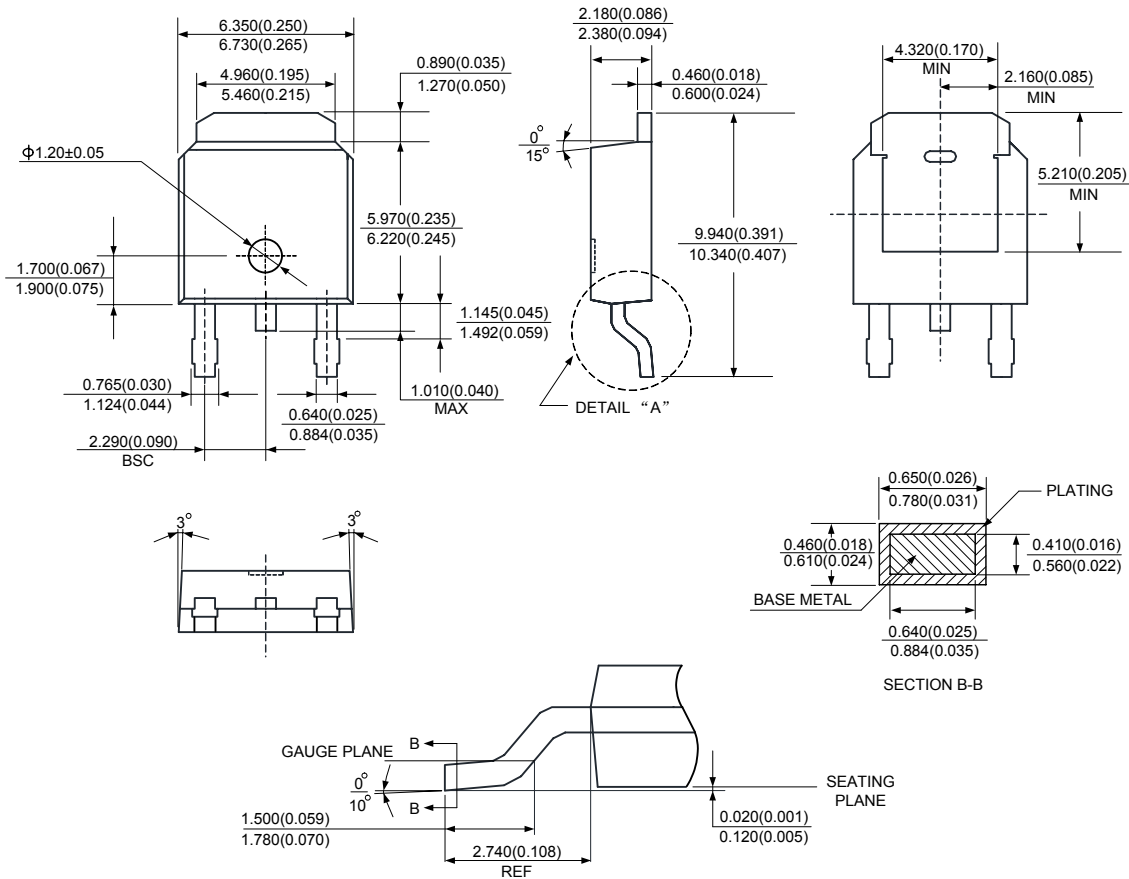
LOW DROPOUT LINEAR REGULATOR

AZ1117C

Mechanical Dimensions (Continued)

TO-252-2 (4)

Unit: mm(inch)





BCD Semiconductor Manufacturing Limited

<http://www.bcdsemi.com>

IMPORTANT NOTICE

BCD Semiconductor Manufacturing Limited reserves the right to make changes without further notice to any products or specifications herein. BCD Semiconductor Manufacturing Limited does not assume any responsibility for use of any its products for any particular purpose, nor does BCD Semiconductor Manufacturing Limited assume any liability arising out of the application or use of any its products or circuits. BCD Semiconductor Manufacturing Limited does not convey any license under its patent rights or other rights nor the rights of others.

MAIN SITE

- Headquarters

BCD Semiconductor Manufacturing Limited

No. 1600, Zi Xing Road, Shanghai ZiZhu Science-based Industrial Park, 200241, China
Tel: +86-21-24162266, Fax: +86-21-24162277

- Wafer Fab

Shanghai SIM-BCD Semiconductor Manufacturing Co., Ltd.

800 Yi Shan Road, Shanghai 200233, China
Tel: +86-21-6485 1491, Fax: +86-21-5450 0008

REGIONAL SALES OFFICE

Shenzhen Office

Shanghai SIM-BCD Semiconductor Manufacturing Co., Ltd., Shenzhen Office

Unit A Room 1203, Skyworth Bldg., Gaoxin Ave. 1.S., Nanshan District, Shenzhen, China
Tel: +86-755-8826 7951
Fax: +86-755-8826 7865

Taiwan Office

BCD Semiconductor (Taiwan) Company Limited

4F, 298-1, Rui Guang Road, Nei-Hu District, Taipei, Taiwan
Tel: +886-2-2656 2808
Fax: +886-2-2656 2806

USA Office

BCD Semiconductor Corp.

30920 Huntwood Ave. Hayward, CA 94544, USA
Tel : +1-510-324-2988
Fax: +1-510-324-2788