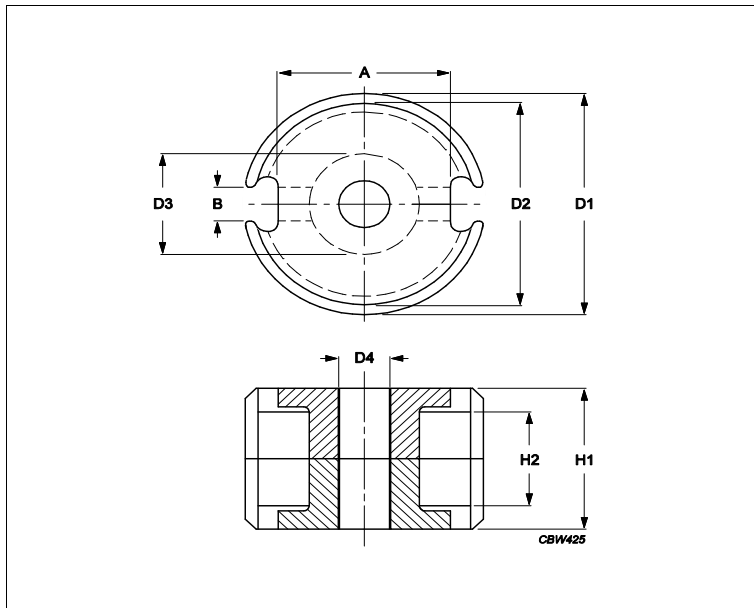


Core **P9/5**



Effective parameters			
	Parameter	Value	Unit
$\Sigma(I/A)$	core factor (C1)	1.24	mm ⁻¹
Ve	effective volume	126	mm ³
Le	effective length	12.5	mm
Ae	effective area	10.1	mm ²
Amin	minimum area	7.9	mm ²
m	P9/5	≈ 0.8	g/set

Dimensions for product: P9/5						
	Nom	Tol +	Tol -	Max	Min	Unit
A	6.50	0.25	0.25	6.75	6.25	mm
B	2.00	0.20	0.20	2.20	1.80	mm
D1	9.30	0.00	0.30	9.30	9.00	mm
D2	7.50	0.25	0.00	7.75	7.50	mm
D3	3.90	0.00	0.20	3.90	3.70	mm
D4	2.10	0.10	0.10	2.20	2.00	mm
H1	5.40	0.00	0.30	5.40	5.10	mm
H2	3.60	0.30	0.00	3.90	3.60	mm

Inductance factor				
Material	Value	Tol +	Tol -	Unit
3D3	630	25%	25%	nH/turns ²
3H3	1100	25%	25%	nH/turns ²

Accessories		
Ordering name	Description	Ordering code
CP-P9/5-1S	Coil former, termoplastic	F0PPP99050C000100P
CP-P9/5-1S-A	Coil former, termoplastic	F0PPP99050C001100P
CP-P9/5-1S-NC	Coil former, termoplastic	F0PPP99000C000100P
CP-P9/5-2S-C	Coil former, termoplastic	F0PPP99050C000200P