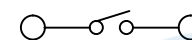
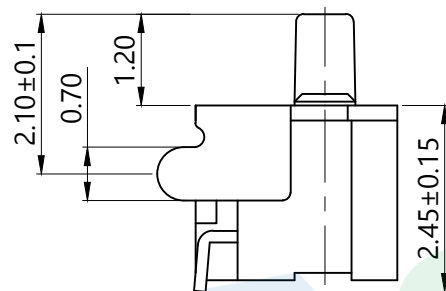
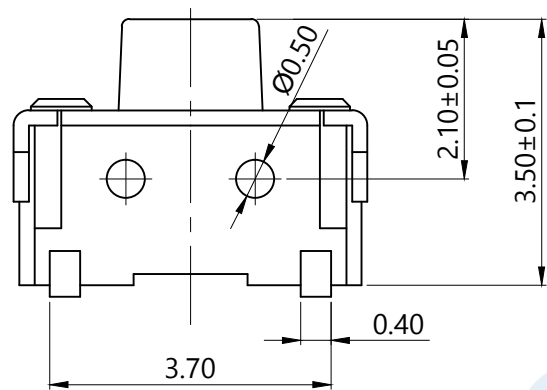
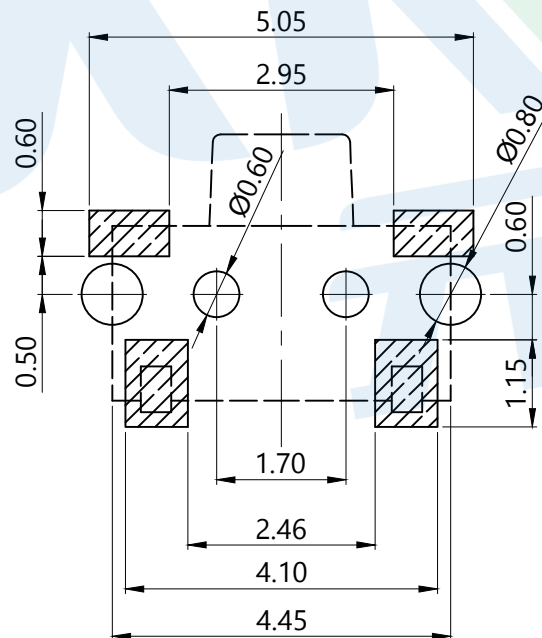
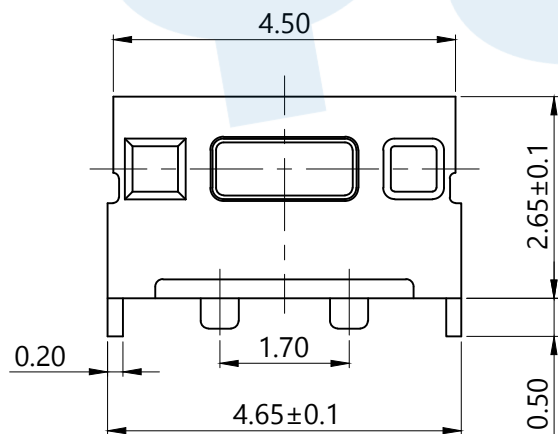


RoHS



Circuit Diagram



PCB Layout(Pattern side)

SHRAPNEL	
CODE	MATERIAL/QTY
D2	SUS/1PCS
D4	SUS/2PCS

OPERATING FORCE	
CODE	VIGOR
B2	160±30gf

NO.	Name	Number	Qty	Material	Remarks
⑤	Button		1	LCP	Black
④	Reed		2	SUS	Silver covered
③	Cover		1	Brass	Silvering
②	Base		1	LCP	White
①	Terminal		2	Brass	Silvering

YUANDI® Yuandi Electronics Co., Ltd

design	date	name	TACT SWITCHS
Review	date	name	TS-1046A-B□D□
Approved	date	name	

Drawing number: Proportion 1:1 unit mm gage number A4

modify Review Approved Tolerance not specified

angle ±2'
10~30 ±0.30
5~10 ±0.20
~ 5 ±0.10