

FEATURES

- High quality voice & sound generation
- Record & playback with external SRAM
- Playback-only with external EPROM or ROM
- Stand-alone operation
- 32K x 8 direct memory addressing, expandable
- Single 5V DC supply voltage

- Low power consumption
- Continuous Variable Slope Delta (CVSD) modulation
- Sampling rate from 24Kbps to 128 Kbps
- Message digitization with the VP-880 or the VW-1000A
- Pin to pin compatible with UM5100
- 40-pin DIP (VP-1000A) or 48-pin QFP (VP-1000AF)

GENERAL DESCRIPTIONS

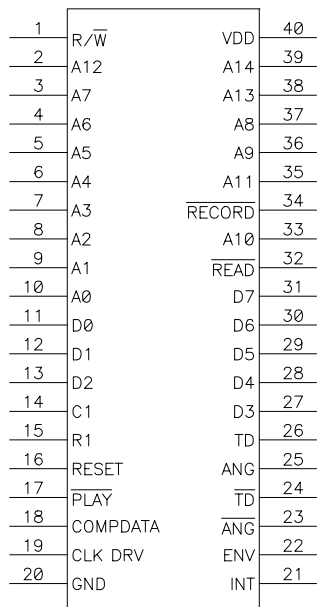
The VP-1000A is an advanced CMOS LSI chip for general purpose voice/sound record and playback applications. It can be interfaced with external SRAM to construct a realtime recording circuitry, or with external ROM or EPROM for playback only applications. When ROM or EPROM is used, the sound must be digitized by using Eletech's VP-880 Voice Development System or VW-1000A Voice EPROM Writer.

The VP-1000A is totally self-contained. It can access the external memory all by itself without the help from any microprocessor. Although the chip provides only 15 address lines, an external counter can be easily added to extend the memory addressing to virtually no limitation. Therefore very long message length can be achieved easily. Overall, the VP-1000A offers high voice quality and flexible memory addressing that no other chips can.

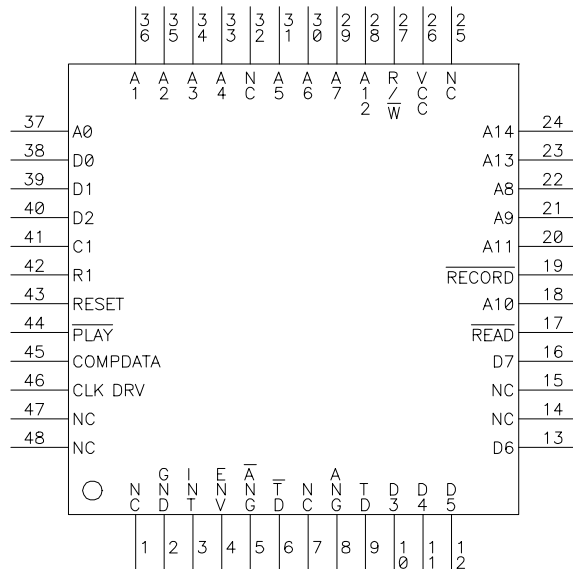
APPLICATIONS

- Voice memo recorder
- Sound effects generator
- Digital announcer for consumer, industrial, security and telecommunication products

VP-1000A (DIP40) Pin Assignment



VP-1000AF (QFP48) Pin Assignment



Eletech Enterprise Co., Ltd.

531-3F Chung-Cheng Road
Hsin Tien, Taipei Hsien, Taiwan

Tel:+886 2-2218-0068 Fax:+886 2-2218-0254

<http://www.eletech.com>



Eletech Electronics, Inc.

16019 Kaplan Avenue
Industry, CA 91744, U.S.A.

Tel: (626) 333-6394 Fax: (626) 333-6494

ABSOLUTE MAXIMUM RATINGS*

Supply Voltage, $V_{DD} - V_{SS}$ 0 to 5.5V
 Input Volotage, V_{IN} V_{SS} to V_{DD}
 Operating Temperature, T_{OP} -10°C to 60°C
 Storage Temperature, T_{ST} -20°C to 80°C

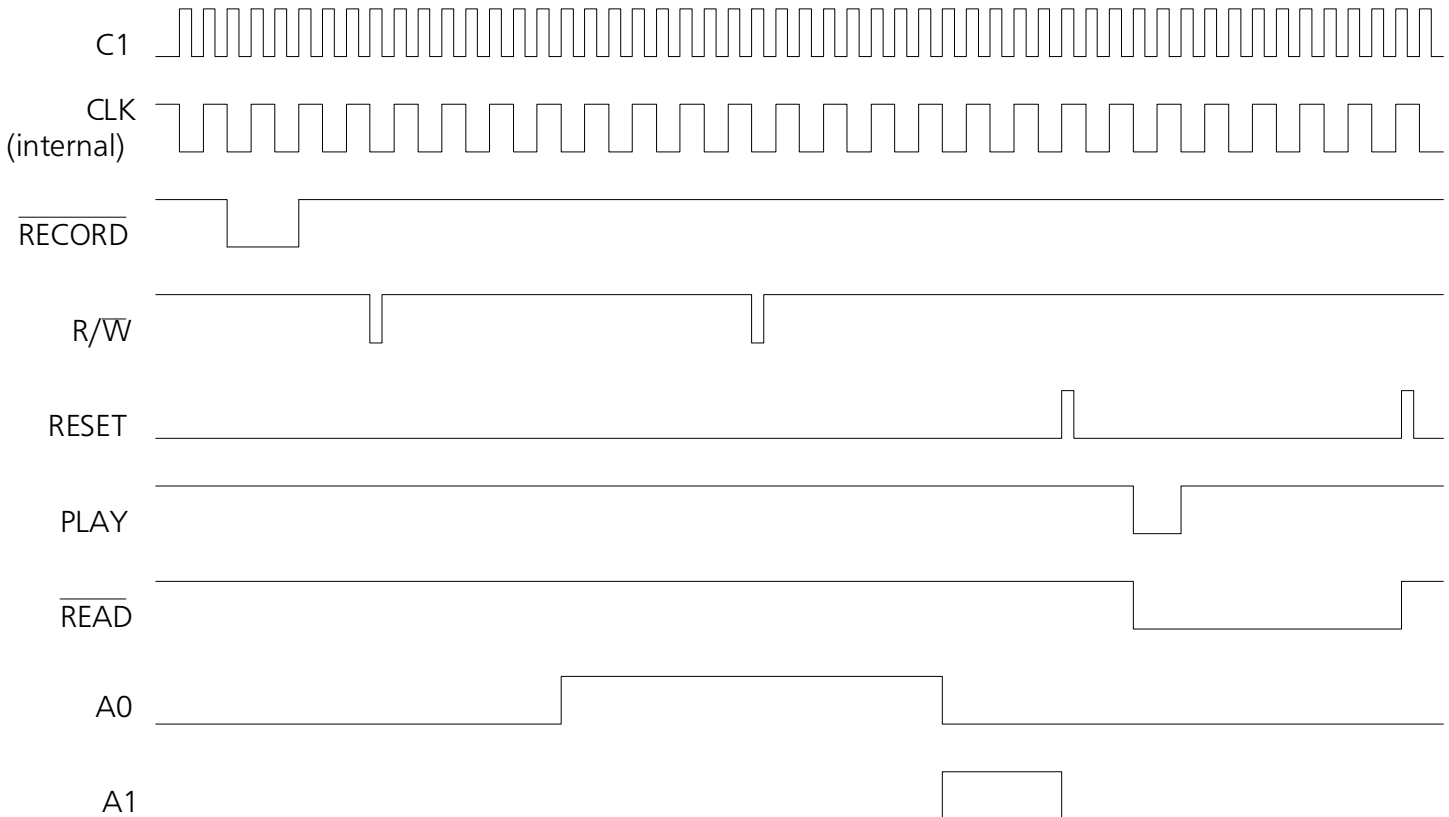
* Stresses above those listed under "Absolute Maximum Ratings" may cause permanent damage to the device. This is a stress rating only and functional operation of the device at these or any other conditions above those indicated in the operational sections of this specification is not implied.

ELECTRICAL CHARACTERISTICS

($V_{DD} = 5V$, $F_{OSC} = 64KHz$, $F_{CLOCK} = 32 KHz$ unless otherwise specified)

Symbol	Parameter		Min.	Typ.	Max.	Units
V_{DD}	Supply Voltage		4.5	5	5.5	V
I_{DD}	Standby Current			50		uA
I_{DRIVE}	Clock Drive Current		16			mA
I_{SINK}	Clock Sink Current		16			mA
V_{IH}	Input	High	3.5		5	V
V_{IL}	Voltage	Low	0		1.5	V
I_{DRIVE}	Output	Drive	3	4		mA
I_{SINK}	Current	Sink	3	4		mA
T_{RESET}	Reset Pulse Width		500			ns
T_{WRITE}	Write Pulse Width		200			ns
S/N	Signal-to-Quantized Noise Ratio			30		dB

TIMING DIAGRAM



PIN DESCRIPTIONS

A0 - A14

Output, address bus, expandable by adding a counter.

ANG & $\overline{\text{ANG}}$

Output, differential analog audio signal.

C1

Input, internal RC oscillator. If external clock is to be used, it must be connected to this pin and its frequency twice as fast as the sampling rate.

CLK DRV

Output, a square wave of the same frequency as the sampling rate when the chip is in the Record or the Play mode. The frequency will be lower when the chip is in the Idle mode.

COMPDATA

Input, feedback from the external comparator output.

D0 - D7

Input/output, data bus.

ENV

Input, to be connected to an external integrator output.

INT

Output, connected to an external integrator to produce envelope waveform.

GND

Ground.

$\overline{\text{PLAY}}$

Input, active low. When the chip is idle but not under reset, pulsing this pin will put the chip in the Play mode.

R1

Output, internal RC oscillator. Leave un-connected when using external clock.

$\overline{\text{READ}}$

Output, active low. It indicates the chip is in the Play mode. This signal is usually used to enable memory output.

$\overline{\text{RECORD}}$

Input, active low. When the chip is idle but not under reset, pulsing this pin will put the chip in the Record mode.

RESET

Input, active high. Reset the chip back to the Idle mode. This pin is level sensitive.

R/W

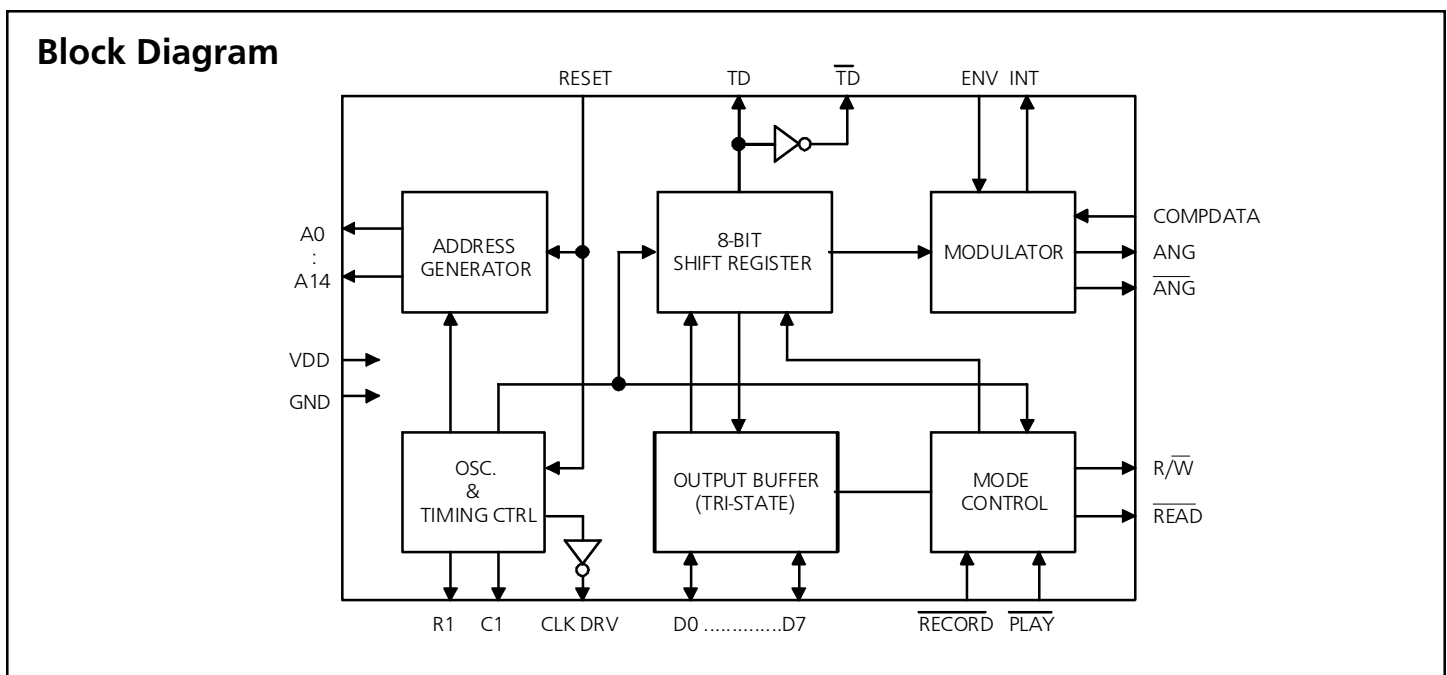
Output, active low. This pin generates a pulse each time the clock counts to eight. It is usually used as a write strobe for the SRAM. Active only in the Record mode.

TD, $\overline{\text{TD}}$

Output, for signal modulation. These pins are useful in the Record mode only.

VDD

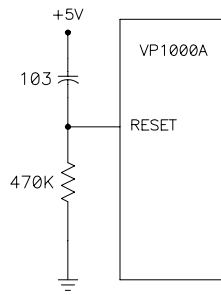
Input, supply voltage.



APPLICATION NOTES

1. Reset Consideration

The Reset pin should never be left floating. If the Reset pin is not controlled by a non-floating signal, use the following Reset circuitry. Note that the 0.01uF capacitor is added so that the VP-1000A gets a Reset pulse on power-up.



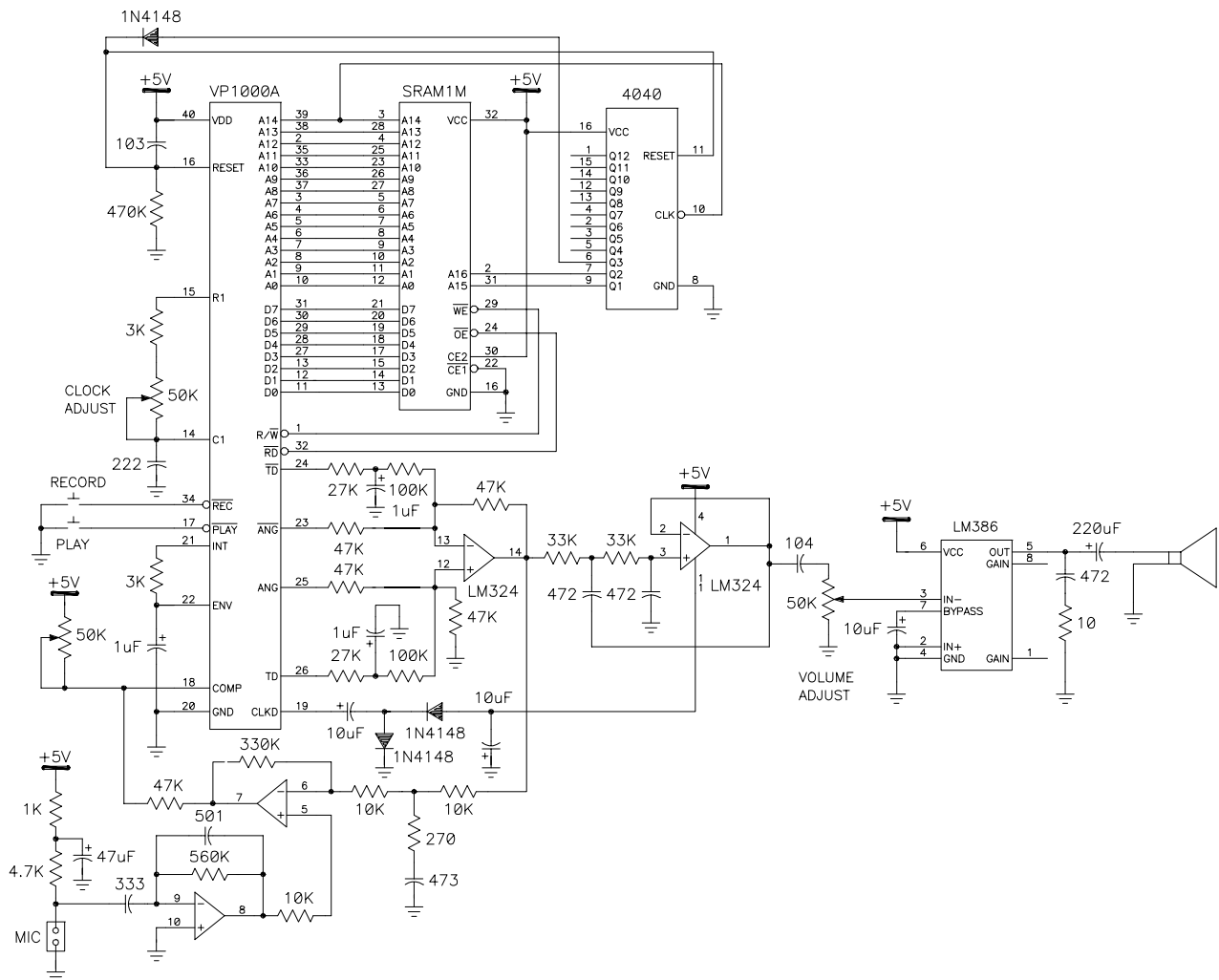
RECOMMENDED VP1000A
RESET CIRCUITRY

2. Memory Address Expansion

The VP-1000A's internal 15-bit address counter covers memory space up to 32K x 8, or 256K bits. It can be easily expanded by just adding a binary counter, clocked by the falling edge of address line A14. The first counter output becomes A15, the second output becomes A16 and etc. This is possible since once started, the VP-1000A will not stop recording or playing until it is reset. When the internal counter reaches the maximum count, it simply overflows and restarts from zero again. Therefore the VP-1000A can access an unlimited amount of memory.

CIRCUIT DESIGN EXAMPLES

1. Single-Message Record and Play, 1M SRAM



PACKAGING INFORMATION

48L 10*10*2.0mm PQFP (Footprint : 5.0mm)

